

Excellent Integrated System Limited

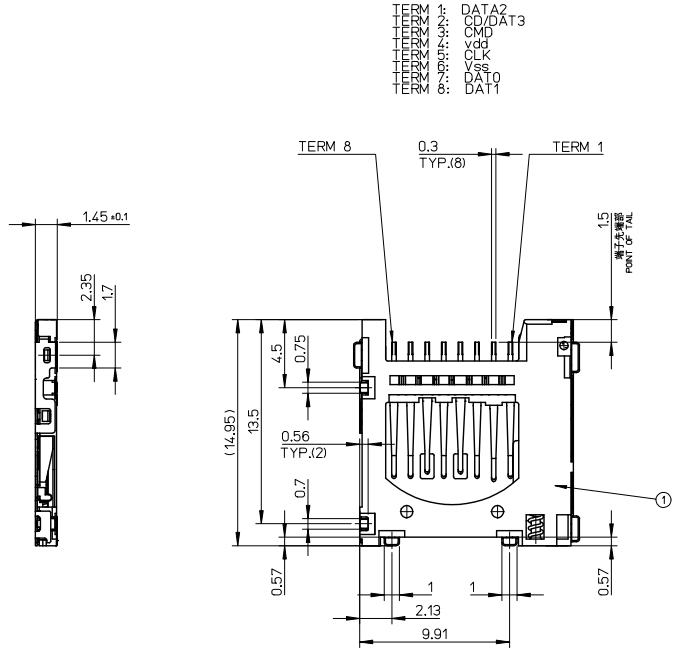
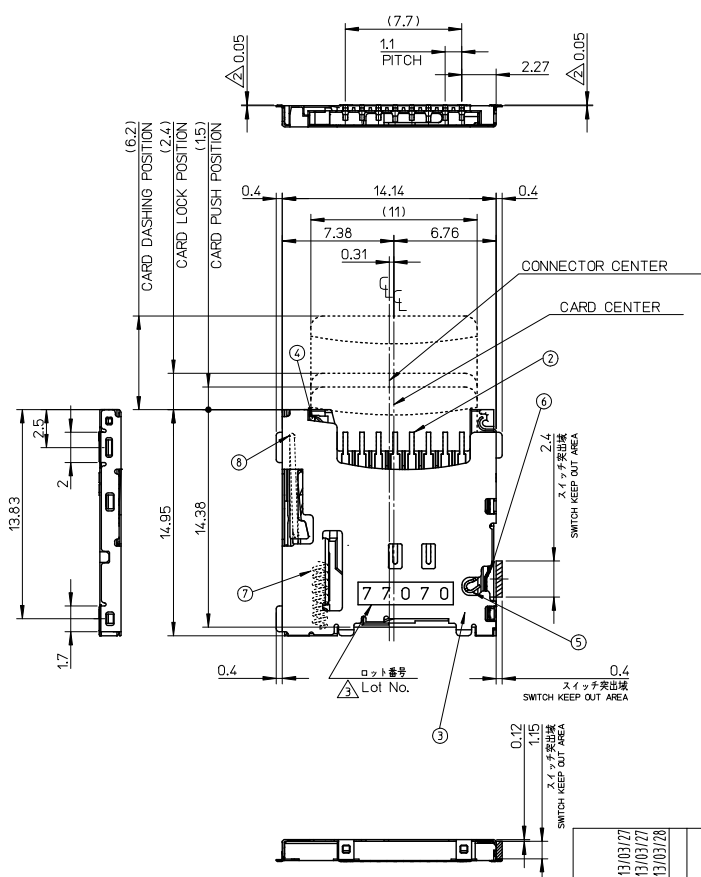
Stocking Distributor

Click to view price, real time Inventory, Delivery & Lifecycle Information:

[Molex Connector Corporation](#)
[5031821852](#)

For any questions, you can email us directly:
sales@integrated-circuit.com

10 9 8 7 6 5 4 3 2 1



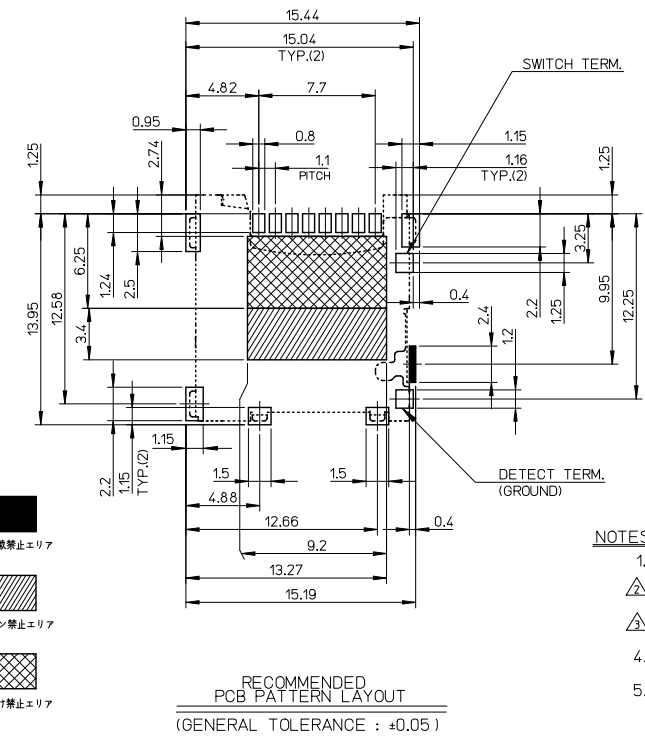
TE
T1
T2
T3
T4
T5
T6
T7
T8
T9
T10
T11
T12
T13
T14
T15
T16
T17
T18
T19
T20
T21
T22
T23
T24
T25
T26
T27
T28
T29
T30
T31
T32
T33
T34
T35
T36
T37
T38
T39
T40
T41
T42
T43
T44
T45
T46
T47
T48
T49
T50
T51
T52
T53
T54
T55
T56
T57
T58
T59
T60
T61
T62
T63
T64
T65
T66
T67
T68
T69
T70
T71
T72
T73
T74
T75
T76
T77
T78
T79
T80
T81
T82
T83
T84
T85
T86
T87
T88
T89
T90
T91
T92
T93
T94
T95
T96
T97
T98
T99
T100
T101
T102
T103
T104
T105
T106
T107
T108
T109
T110
T111
T112
T113
T114
T115
T116
T117
T118
T119
T120
T121
T122
T123
T124
T125
T126
T127
T128
T129
T130
T131
T132
T133
T134
T135
T136
T137
T138
T139
T140
T141
T142
T143
T144
T145
T146
T147
T148
T149
T150
T151
T152
T153
T154
T155
T156
T157
T158
T159
T160
T161
T162
T163
T164
T165
T166
T167
T168
T169
T170
T171
T172
T173
T174
T175
T176
T177
T178
T179
T180
T181
T182
T183
T184
T185
T186
T187
T188
T189
T190
T191
T192
T193
T194
T195
T196
T197
T198
T199
T200
T201
T202
T203
T204
T205
T206
T207
T208
T209
T210
T211
T212
T213
T214
T215
T216
T217
T218
T219
T220
T221
T222
T223
T224
T225
T226
T227
T228
T229
T230
T231
T232
T233
T234
T235
T236
T237
T238
T239
T240
T241
T242
T243
T244
T245
T246
T247
T248
T249
T250
T251
T252
T253
T254
T255
T256
T257
T258
T259
T260
T261
T262
T263
T264
T265
T266
T267
T268
T269
T270
T271
T272
T273
T274
T275
T276
T277
T278
T279
T280
T281
T282
T283
T284
T285
T286
T287
T288
T289
T290
T291
T292
T293
T294
T295
T296
T297
T298
T299
T300
T301
T302
T303
T304
T305
T306
T307
T308
T309
T310
T311
T312
T313
T314
T315
T316
T317
T318
T319
T320
T321
T322
T323
T324
T325
T326
T327
T328
T329
T330
T331
T332
T333
T334
T335
T336
T337
T338
T339
T340
T341
T342
T343
T344
T345
T346
T347
T348
T349
T350
T351
T352
T353
T354
T355
T356
T357
T358
T359
T360
T361
T362
T363
T364
T365
T366
T367
T368
T369
T370
T371
T372
T373
T374
T375
T376
T377
T378
T379
T380
T381
T382
T383
T384
T385
T386
T387
T388
T389
T390
T391
T392
T393
T394
T395
T396
T397
T398
T399
T400
T401
T402
T403
T404
T405
T406
T407
T408
T409
T410
T411
T412
T413
T414
T415
T416
T417
T418
T419
T420
T421
T422
T423
T424
T425
T426
T427
T428
T429
T430
T431
T432
T433
T434
T435
T436
T437
T438
T439
T440
T441
T442
T443
T444
T445
T446
T447
T448
T449
T450
T451
T452
T453
T454
T455
T456
T457
T458
T459
T460
T461
T462
T463
T464
T465
T466
T467
T468
T469
T470
T471
T472
T473
T474
T475
T476
T477
T478
T479
T480
T481
T482
T483
T484
T485
T486
T487
T488
T489
T490
T491
T492
T493
T494
T495
T496
T497
T498
T499
T500
T501
T502
T503
T504
T505
T506
T507
T508
T509
T510
T511
T512
T513
T514
T515
T516
T517
T518
T519
T520
T521
T522
T523
T524
T525
T526
T527
T528
T529
T530
T531
T532
T533
T534
T535
T536
T537
T538
T539
T540
T541
T542
T543
T544
T545
T546
T547
T548
T549
T550
T551
T552
T553
T554
T555
T556
T557
T558
T559
T560
T561
T562
T563
T564
T565
T566
T567
T568
T569
T570
T571
T572
T573
T574
T575
T576
T577
T578
T579
T580
T581
T582
T583
T584
T585
T586
T587
T588
T589
T590
T591
T592
T593
T594
T595
T596
T597
T598
T599
T600
T601
T602
T603
T604
T605
T606
T607
T608
T609
T610
T611
T612
T613
T614
T615
T616
T617
T618
T619
T620
T621
T622
T623
T624
T625
T626
T627
T628
T629
T630
T631
T632
T633
T634
T635
T636
T637
T638
T639
T640
T641
T642
T643
T644
T645
T646
T647
T648
T649
T650
T651
T652
T653
T654
T655
T656
T657
T658
T659
T660
T661
T662
T663
T664
T665
T666
T667
T668
T669
T670
T671
T672
T673
T674
T675
T676
T677
T678
T679
T680
T681
T682
T683
T684
T685
T686
T687
T688
T689
T690
T691
T692
T693
T694
T695
T696
T697
T698
T699
T700
T701
T702
T703
T704
T705
T706
T707
T708
T709
T710
T711
T712
T713
T714
T715
T716
T717
T718
T719
T720
T721
T722
T723
T724
T725
T726
T727
T728
T729
T730
T731
T732
T733
T734
T735
T736
T737
T738
T739
T740
T741
T742
T743
T744
T745
T746
T747
T748
T749
T750
T751
T752
T753
T754
T755
T756
T757
T758
T759
T760
T761
T762
T763
T764
T765
T766
T767
T768
T769
T770
T771
T772
T773
T774
T775
T776
T777
T778
T779
T780
T781
T782
T783
T784
T785
T786
T787
T788
T789
T790
T791
T792
T793
T794
T795
T796
T797
T798
T799
T800
T801
T802
T803
T804
T805
T806
T807
T808
T809
T810
T811
T812
T813
T814
T815
T816
T817
T818
T819
T820
T821
T822
T823
T824
T825
T826
T827
T828
T829
T830
T831
T832
T833
T834
T835
T836
T837
T838
T839
T840
T841
T842
T843
T844
T845
T846
T847
T848
T849
T850
T851
T852
T853
T854
T855
T856
T857
T858
T859
T860
T861
T862
T863
T864
T865
T866
T867
T868
T869
T870
T871
T872
T873
T874
T875
T876
T877
T878
T879
T880
T881
T882
T883
T884
T885
T886
T887
T888
T889
T890
T891
T892
T893
T894
T895
T896
T897
T898
T899
T900
T901
T902
T903
T904
T905
T906
T907
T908
T909
T910
T911
T912
T913
T914
T915
T916
T917
T918
T919
T920
T921
T922
T923
T924
T925
T926
T927
T928
T929
T930
T931
T932
T933
T934
T935
T936
T937
T938
T939
T940
T941
T942
T943
T944
T945
T946
T947
T948
T949
T950
T951
T952
T953
T954
T955
T956
T957
T958
T959
T960
T961
T962
T963
T964
T965
T966
T967
T968
T969
T970
T971
T972
T973
T974
T975
T976
T977
T978
T979
T980
T981
T982
T983
T984
T985
T986
T987
T988
T989
T990
T991
T992
T993
T994
T995
T996
T997
T998
T999
T1000

503182-1852	8
EMBOSSED TAPE	極数
ORDER No. オーダー番号	CIRCUITS
CONNECTOR SERIES No. 503182-***42	

REVISED EC NO. J2013-1070 DRAWN: YGOTO 2013/03/17 CHKD: MTOMITA 2013/03/17 APPR: Y01TO 2013/03/28	GENERAL TOLERANCES (UNLESS SPECIFIED)	DIMENSION STYLE MM ONLY	SCALE 4:1	DESIGN UNITS METRIC	THIRD ANGLE PROJECTION
	10 UNDER ±0.2 10 OVER 30 UNDER ±0.25 30 OVER ±0.3 ANGULAR ±1 °	DRAWN BY YGOTO DATE 2013/03/08 CHECKED BY MTOMITA DATE 2013/03/08 APPROVED BY Y01TO DATE 2013/03/12	TITLE MICRO SD CONN. NORMAL ULTRA LOW-PROFILE ASSY	molex	
DESCRIPTION	DRAFT WHERE APPLICABLE MUST REMAIN WITHIN DIMENSIONS	MATERIAL NO.	SEE CHART	DOCUMENT NO. SD-503182-011	SHEET NO. 1 OF 2
REV B		SIZE A	THIS DRAWING CONTAINS INFORMATION THAT IS PROPRIETARY TO MOLEX INCORPORATED AND SHOULD NOT BE USED WITHOUT WRITTEN PERMISSION		

9 8 7 6 5 4 3 2 1

10 9 8 7 6 5 4 3 2 1



番号	名称 NAME	材料 MATERIAL
①	ハウジング HOUSING	液晶ポリマー(LCP) LIQUID CRYSTAL POLYMER (LCP)
②	ターミナル TERMINAL	銅合金、接点部:金めっき 半田付部:錫めっき 下地:ニッケルめっき COPPER ALLOY, CONTACT AREA:GOLD TAIL AREA:TIN UNDER PLATING:NICKEL
③	メタルシェル METAL SHELL	ステンレス鋼、半田付け部:金めっき 下地:ニッケルめっき STAINLESS STEEL, TAIL AREA:GOLD UNDER PLATING:NICKEL
④	カムスライダ CAM SLIDER	液晶ポリマー(LCP) LIQUID CRYSTAL POLYMER (LCP)
⑤	ディテクトネイル DETECT NAIL	銅合金、接点部:金めっき 半田付部:金めっき 下地:ニッケルめっき COPPER ALLOY, CONTACT AREA:GOLD TAIL AREA:GOLD UNDER PLATING:NICKEL
⑥	スイッチネイル SWITCH NAIL	銅合金、接点部:金めっき 半田付部:金めっき 下地:ニッケルめっき COPPER ALLOY, CONTACT AREA:GOLD TAIL AREA:GOLD UNDER PLATING:NICKEL
⑦	スプリング SPRING	ピアノ線 SWP
⑧	カムピン CAM PIN	ステンレス鋼 STAINLESS STEEL

NOTES

- ターミナル及びネイルの平坦度は0.1MAX.とする。
COPLANARITY OF TERMINAL AND NAIL IS TO BE 0.1MAX.
- スタンドオフ寸法
DIMENSIONS OF STAND OFF.
- ロット印字は任意とする。
LOT NUMBERING IS TO BE OPTIONAL.
- 肉抜き位置は任意とする。
CAVITY IS TO BE OPTIONAL.
- カード検知スイッチ
DETECT SWITCH
- ELV及びRoHS適合品
ELV AND RoHS COMPLIANT.

カード挿入時 CARD INSERTING POSITION	クローズ CLOSED
カード未挿入時 NO CARD POSITION	オープン OPEN

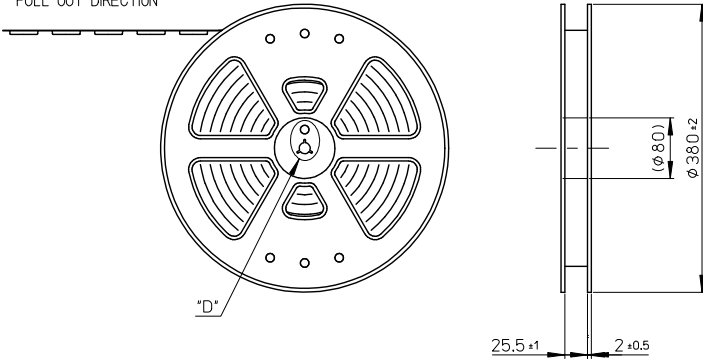
ロットNo. : 7 7 0 7 0
 西暦(4桁目) MONTH LINE No.
 THE YEAR OF GRACE A: 7月 7: 7月
 B: 10月 07: 07日
 C: 11月 DAY

REVISED EC NO.: J2013-1070 DRAWN: YGOTO CHKD: MTOMITA APPR: YOITO	2013/03/27	GENERAL TOLERANCES (UNLESS SPECIFIED)	DIMENSION STYLE MM ONLY	SCALE 4:1	DESIGN UNITS METRIC	THIRD ANGLE PROJECTION
	2013/03/27	10 UNDER ±0.2	DRAWN BY YGOTO	DATE 2013/03/08	TITLE MICRO SD CONN. NORMAL ULTRA LOW-PROFILE ASSY	
	2013/03/28	10 OVER 30 UNDER ±0.25	CHECKED BY MTOMITA	DATE 2013/03/08	SHEET NO. 2 OF 2	
		30 OVER ±0.3	APPROVED BY YOITO	DATE 2013/03/12	DOCUMENT NO. SD-503182-011	
		ANGULAR ±1 °	MATERIAL NO.		SEE SHEET 1 OF 2	
		DRAFT WHERE APPLICABLE MUST REMAIN WITHIN DIMENSIONS	SIZE A3		THIS DRAWING CONTAINS INFORMATION THAT IS PROPRIETARY TO MOLEX INCORPORATED AND SHOULD NOT BE USED WITHOUT WRITTEN PERMISSION	

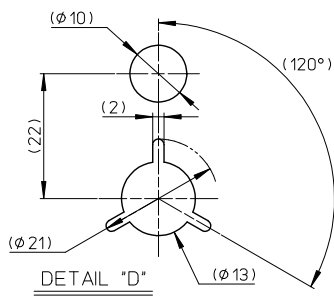
9 8 7 6 5 4 3 2 1

10 9 8 7 6 5 4 3 2 1

引き出し方向
PULL OUT DIRECTION



"D"



DETAIL "D"

NOTES

1. 製品詳細寸法は製品単体図面を参照して下さい。
FOR DETAIL OF CONNECTOR DIMENSIONS, PLEASE SEE THE DRAWING OF CONNECTOR ITSELF (NOT PACKAGED).

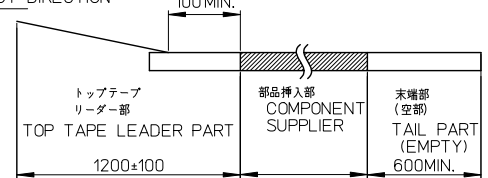
2. 梱包数量: 1600個/リール
NUMBER OF CONNECTORS: 1600 PCS/REEL.

3. リードテープ長さ LEAD TAPE LENGTH.

トップテープ接着部
TOP TAPE BONDED PART.

(空エンボス)

引き出し方向
PULL OUT DIRECTION



4. 材料 MATERIAL

キャリアテープ(CARRIER TAPE): ポリスチレン (POLYSTYRENE)

トップテープ(TOP TAPE): PET, PE, PEF

リール(REEL): ポリスチレン(PS)<リサイクル材含む>

POLYSTYRENE (PS)<RECYCLE MATERIAL CONTAINED>

5. ELV AND RoHS COMPLIANT

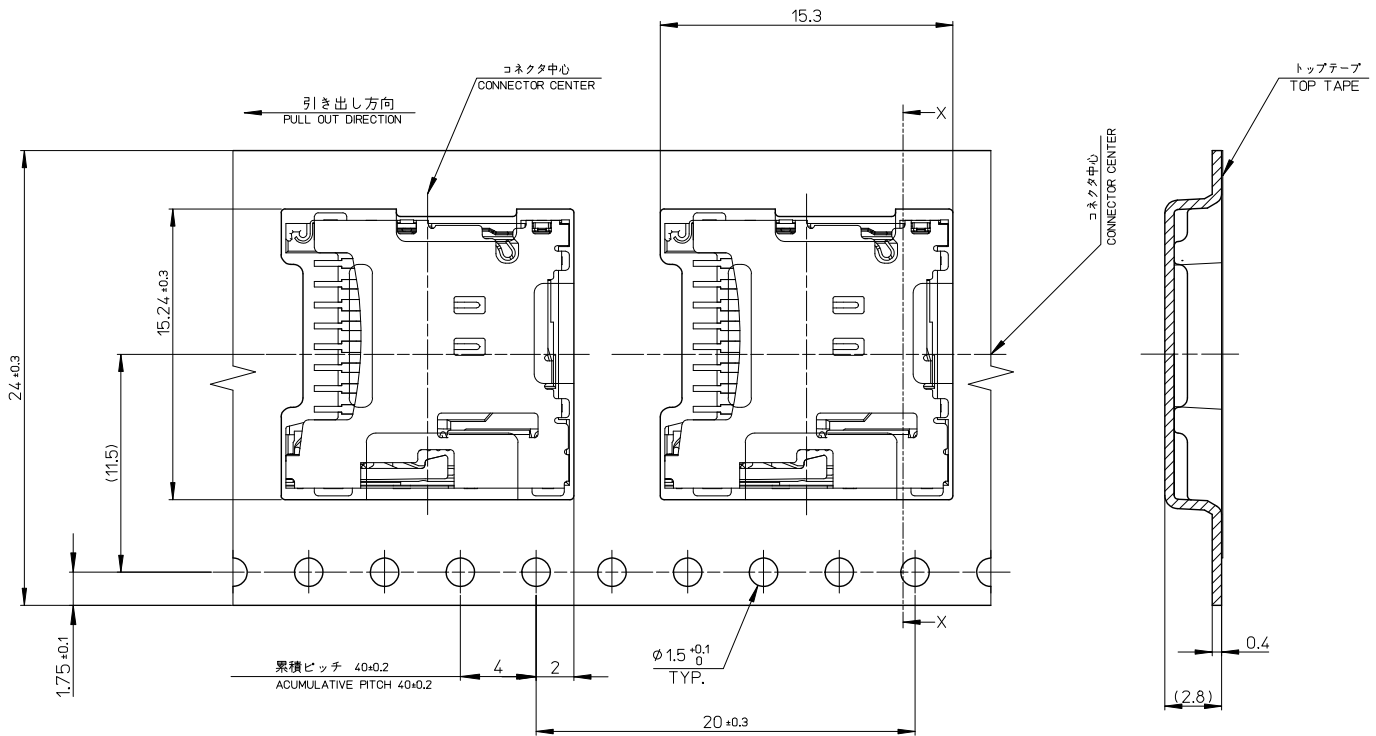
503182-1852	8
EMBOSSED TAPE	極数
ORDER No. オーダー番号	CIRCUITS
CONNECTOR SERIES No. 503182-***42	

RELEASED EC NO: J2013-0986 DRAWN BY: YGOTO CHKD: MTOMITA APPR: Y0ITO	DESCRIPTION 2013/03/08 2013/03/08 2013/03/12	GENERAL TOLERANCES (UNLESS SPECIFIED)		DIMENSION STYLE		SCALE	DESIGN UNITS	THIRD ANGLE PROJECTION		
				MM ONLY		---	METRIC			
		10 UNDER	± 0.2	DRAWN BY	DATE	TITLE				
		10 OVER 30 UNDER	± 0.25	YGOTO	2013/03/08	MICRO SD CONN. ULTRA LOW-PRO EMBOSSED TAPE PACKAGE				
30 OVER	± 0.3	CHECKED BY	DATE	molex						
ANGULAR	± 1 °	MTOMITA	2013/03/08							
DRAFT WHERE APPLICABLE MUST REMAIN WITHIN DIMENSIONS		APPROVED BY	DATE	MATERIAL NO.	DOCUMENT NO.	SHEET NO.				
		Y0ITO	2013/03/12	SEE CHART	SD-503182-012	1 OF 2				
		THIS DRAWING CONTAINS INFORMATION THAT IS PROPRIETARY TO MOLEX INCORPORATED AND SHOULD NOT BE USED WITHOUT WRITTEN PERMISSION								

9 8 7 6 5 4 3 2

10 9 8 7 6 5 4 3 2 1

F
E
D
C
B
A



SECTION. X-X

RELEASED IEC NO. J2013-0986 DRAWN BY YGOTO 2013/03/08 CHIKDANTOMITA 2013/03/08 APPR. YOITO 2013/03/12	GENERAL TOLERANCES (UNLESS SPECIFIED)		DIMENSION STYLE	SCALE	DESIGN UNITS	THIRD ANGLE PROJECTION
			MM ONLY	5:1	METRIC	
	10 UNDER	± 0.2	DRAWN BY	DATE	TITLE	
	10 OVER 30 UNDER	± 0.25	YGOTO	2013/03/08	MICRO SD CONN. ULTRA LOW-PRO EMBOSSSED TAPE PACKAGE	
30 OVER	± 0.3	CHECKED BY	DATE	DOCUMENT NO.		
ANGULAR ± 1 °		MTOMITA	2013/03/08	SD-503182-012		
DRAFT WHERE APPLICABLE MUST REMAIN WITHIN DIMENSIONS		APPROVED BY	DATE	SHEET NO.		
		YOITO	2013/03/12	2 OF 2		
		MATERIAL NO.	SEE SHEET 1 OF 2			
		SIZE	THIS DRAWING CONTAINS INFORMATION THAT IS PROPRIETARY TO MOLEX INCORPORATED AND SHOULD NOT BE USED WITHOUT WRITTEN PERMISSION			
		A3				

9 8 7 6 5 4 3 2