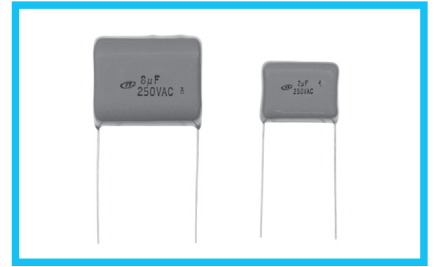


EXH

Metallized Polypropylene Film AC Power Capacitor

- Self-healing and non-inductive wound by metallized film, with flame-retardant epoxy resin coating for humidity resistance.
- Compliant to the RoHS directive (2011/65/EU).



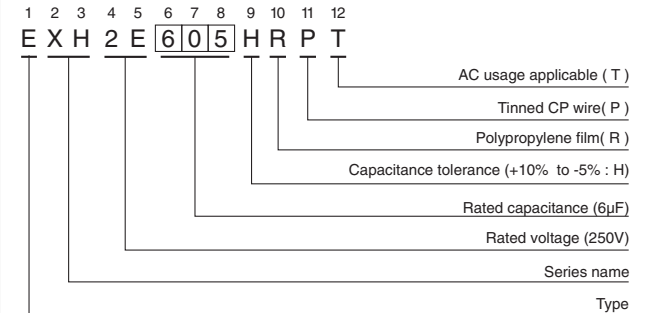
Application

- Motor running

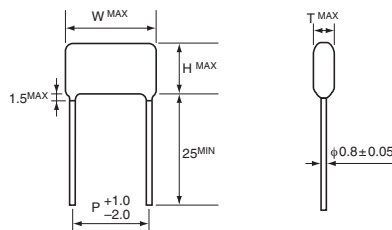
Specifications

Item	Performance Characteristics
Maximum permissible temperature	+85°C (Z)
Minimum ambient temperature	- 25°C (B)
Rated Voltage Range	250VAC
Rated Capacitance Range	6 to 12µF
Capacitance Tolerance	+10 to -5%
Loss factor	0.12% or less (at 20°C 50/60Hz 200VAC)
Withstand Voltage	Between Terminals : Rated Voltage × 175% 10 secs. Between Terminals connected together and case : 2000VAC 60 secs.
Insulation Resistance	Between Terminals connected together and case : 1000MΩ or more (at 500VDC)
Encapsulation	Flame retardant epoxy resin
Current duration class	40D (40,000h)
Safety Mechanism	Non-included

Type numbering system (Example : 250VAC 6µF)



Drawing



Straight lead type

Dimensions

Unit : mm

Cap. (µF)	V (Code) Size	250VAC (2E)			
		T	W	H	P
6.0	605	14.0	36.0	25.5	32.5
7.0	705	14.5	36.0	27.5	32.5
8.0	805	15.5	36.0	28.5	32.5
9.0	905	16.5	36.0	29.5	32.5
10.0	106	17.5	36.0	30.5	32.5
12.0	126	18.5	36.0	31.5	32.5

Since rating other than the above can be manufactured a please ask for detail.