

## **Excellent Integrated System Limited**

Stocking Distributor

Click to view price, real time Inventory, Delivery & Lifecycle Information:

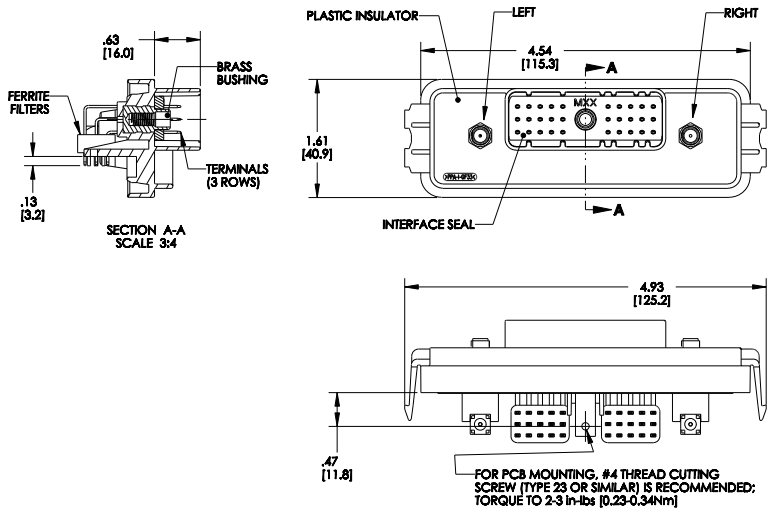
[Cinch Connectivity Solutions](#)

[581 06 30 001](#)

For any questions, you can email us directly:

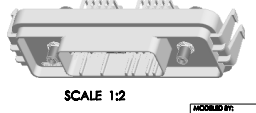
[sales@integrated-circuit.com](mailto:sales@integrated-circuit.com)

DRAWING REVISIONS (RELEASE DATE ON FILE)			
REV	DOCUMENT	APP	APPROVAL DATE
D	CO 2205	V.RICE	04/01/13

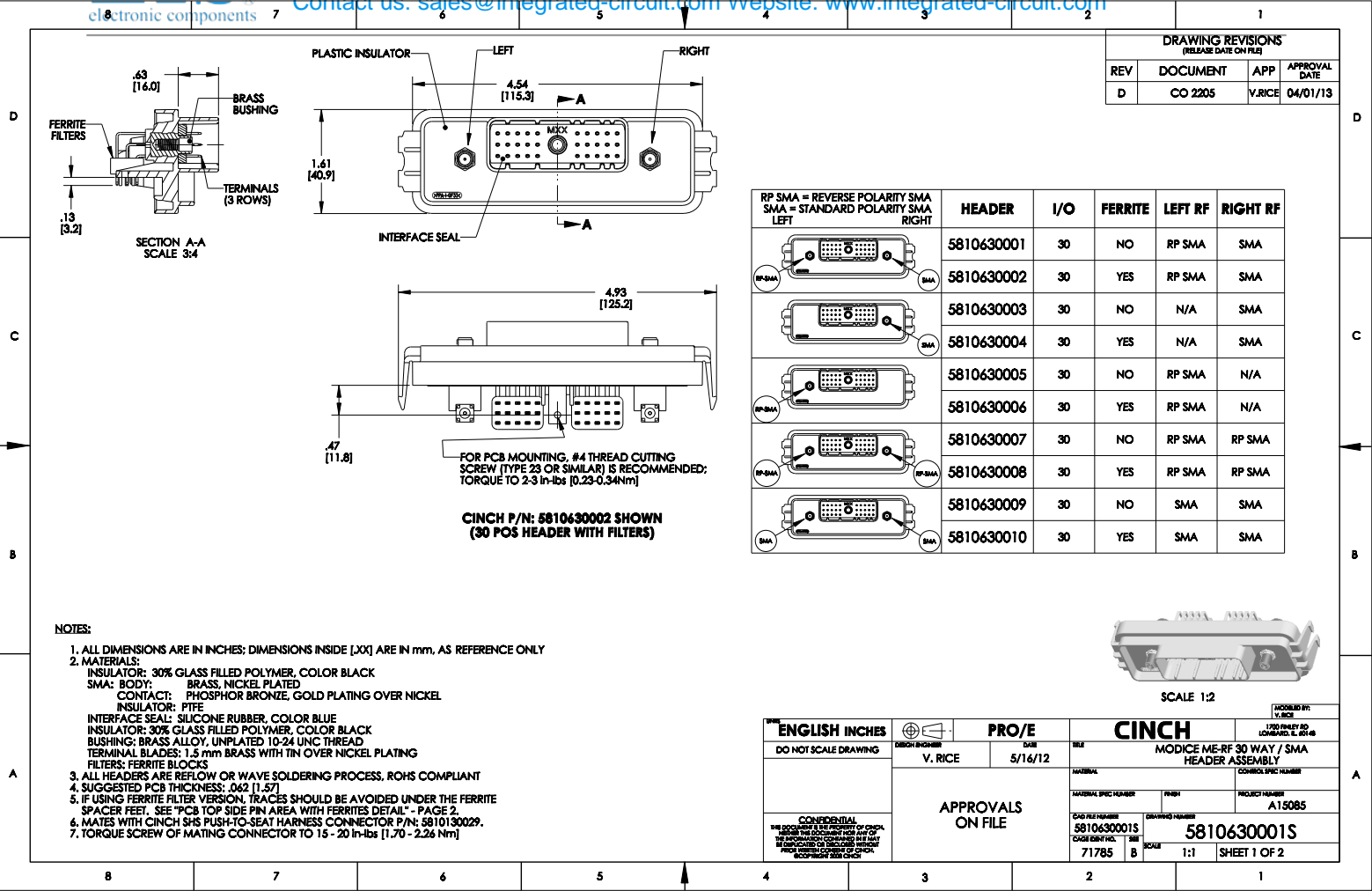


RP SMA = REVERSE POLARITY SMA SMA = STANDARD POLARITY SMA LEFT RIGHT	HEADER	I/O	FERRITE	LEFT RF	RIGHT RF
	5810630001	30	NO	RP SMA	SMA
	5810630002	30	YES	RP SMA	SMA
	5810630003	30	NO	N/A	SMA
	5810630004	30	YES	N/A	SMA
	5810630005	30	NO	RP SMA	N/A
	5810630006	30	YES	RP SMA	N/A
	5810630007	30	NO	RP SMA	RP SMA
	5810630008	30	YES	RP SMA	RP SMA
	5810630009	30	NO	SMA	SMA
	5810630010	30	YES	SMA	SMA

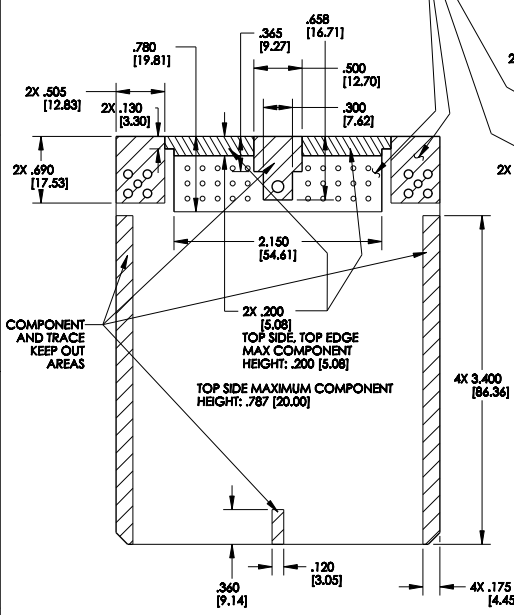
- NOTES:**
1. ALL DIMENSIONS ARE IN INCHES; DIMENSIONS INSIDE [XX] ARE IN mm, AS REFERENCE ONLY
  2. MATERIALS:  
INSULATOR: 30% GLASS FILLED POLYMER, COLOR BLACK  
SMA: BODY: BRASS, NICKEL PLATED  
CONTACT: PHOSPHOR BRONZE, GOLD PLATING OVER NICKEL  
INSULATOR: PTFE  
INTERFACE SEAL: SILICONE RUBBER, COLOR BLUE  
INSULATOR: 30% GLASS FILLED POLYMER, COLOR BLACK  
BUSHING: BRASS ALLOY, UNPLATED 10-24 UNC THREAD  
TERMINAL BLADES: 1.5 mm BRASS WITH TIN OVER NICKEL PLATING  
FILTERS: FERRITE BLOCKS
  3. ALL HEADERS ARE REFLOW OR WAVE SOLDERING PROCESS, ROHS COMPLIANT
  4. SUGGESTED PCB THICKNESS: .062 [1.57]
  5. IF USING FERRITE FILTER VERSION, TRACES SHOULD BE AVOIDED UNDER THE FERRITE SPACER FEET. SEE "PCB TOP SIDE PIN AREA WITH FERRITES DETAIL" - PAGE 2.
  6. MATES WITH CINCH SHS PUSH-TO-SEAT HARNESS CONNECTOR P/N: 5810130029.
  7. TORQUE SCREW OF MATING CONNECTOR TO 15 - 20 In-lbs [1.70 - 2.26 Nm]



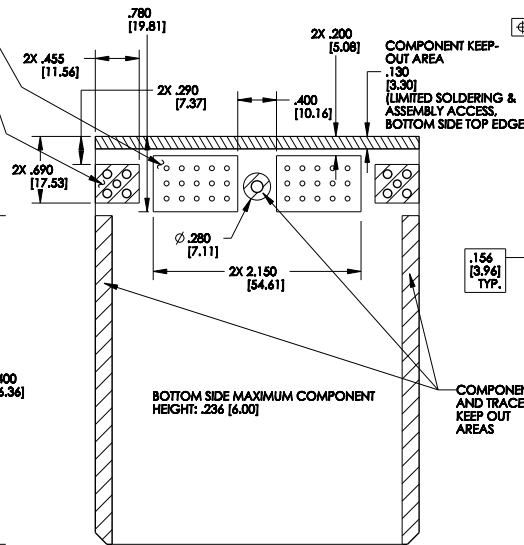
<b>ENGLISH INCHES</b>		<b>PRO/E</b>	<b>CINCH</b>	
DO NOT SCALE DRAWING	DESIGN INCHES: V. RICE	DATE: 5/16/12	FILE: MODICE ME-RF 30 WAY / SMA HEADER ASSEMBLY	
<small>CONFIDENTIAL</small> <small>THIS DOCUMENT IS THE PROPERTY OF CINCH. IT IS TO BE USED ONLY FOR THE PURPOSES AND PERIOD OF TIME SPECIFIED IN THE ORDER. IT IS NOT TO BE REPRODUCED OR TRANSMITTED IN ANY FORM OR BY ANY MEANS, ELECTRONIC OR MECHANICAL, INCLUDING PHOTOCOPYING, RECORDING, OR BY ANY INFORMATION STORAGE AND RETRIEVAL SYSTEM, WITHOUT THE WRITTEN PERMISSION OF CINCH.</small>	<b>APPROVALS ON FILE</b>		<small>MATERIAL</small> MODICE ME-RF 30 WAY / SMA HEADER ASSEMBLY <small>CONTROL SPEC NUMBER</small> A15085	
			<small>CAD FILE NUMBER</small> 5810630001S <small>DATE REVISED</small> 7/17/85	<small>DRAWING NUMBER</small> 5810630001S <small>SCALE</small> 1:1
			<small>PROJECT NUMBER</small> A15085 <small>SHEET</small> 1 OF 2	



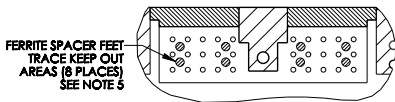
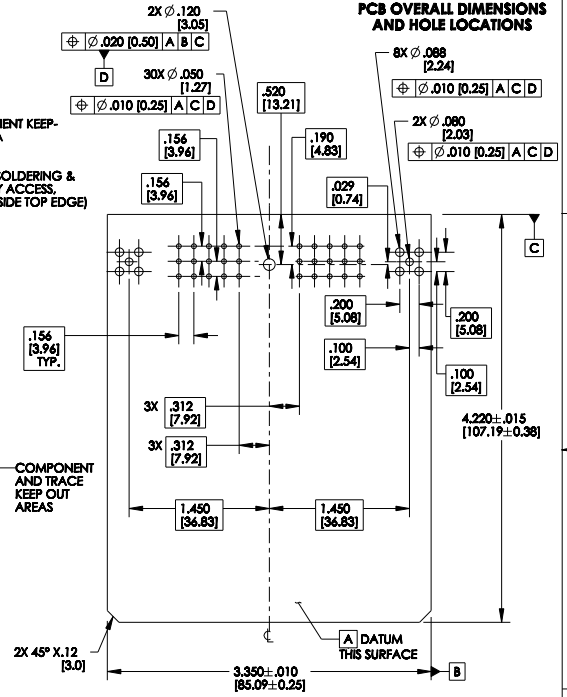
**RECOMMENDED PCB TOP SIDE GENERAL ZONING AND KEEP-OUT AREAS**



**RECOMMENDED PCB BOTTOM SIDE GENERAL ZONING AND KEEP-OUT AREAS**



**RECOMMENDED PCB OVERALL DIMENSIONS AND HOLE LOCATIONS**



**PCB TOP SIDE PIN AREA WITH FERRITES DETAIL**

UNITS <b>ENGLISH INCHES</b>	<b>CINCH</b>	THIS FILE IS LOADED: 1. 6/14/18
DO NOT SCALE DRAWING	TITLE MODICE ME-RF 30 WAY / SMA HEADER ASSEMBLY	
CONFIDENTIAL THIS DOCUMENT IS THE PROPERTY OF CINCH. IT IS TO BE USED ONLY FOR THE PROJECT AND NOT BE REPRODUCED OR DISCLOSED OUTSIDE THE PROJECT WITHOUT THE WRITTEN CONSENT OF CINCH. COPYRIGHT © 2018 CINCH	CAD FILE NUMBER 5810630001S	DRAWING NUMBER 5810630001S
	71785	SCALE 1:1
		SHEET 2 OF 2