



Distributor of ITT Cannon, LLC: Excellent Integrated System Limited

Datasheet of A2499001150 - GASKET FOR NPD AND NPS S0041

Contact us: sales@integrated-circuit.com Website: www.integrated-circuit.com

Excellent Integrated System Limited

Stocking Distributor

Click to view price, real time Inventory, Delivery & Lifecycle Information:

[ITT Cannon, LLC](#)

[A2499001150](#)

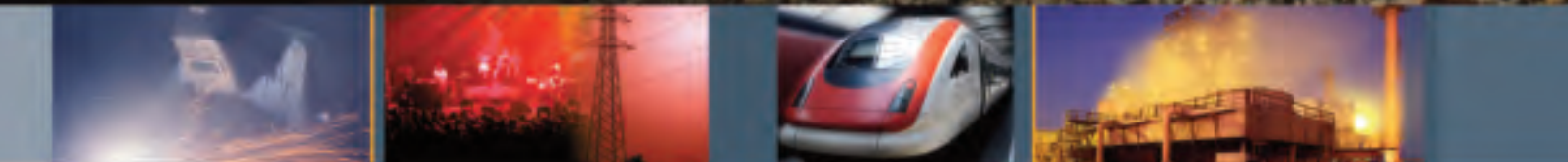
For any questions, you can email us directly:

sales@integrated-circuit.com



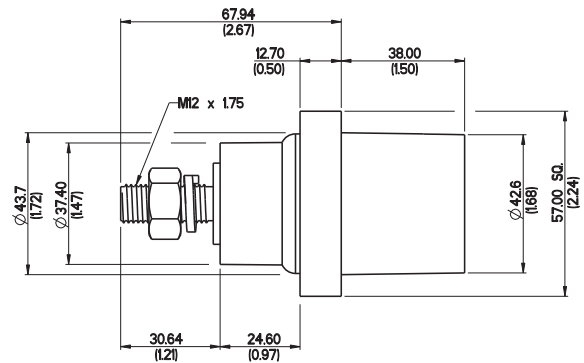
Interconnect Solutions
Cannon, VEAM, BIW

Serving **uninterrupted**
power in the world's
most **hostile environments**



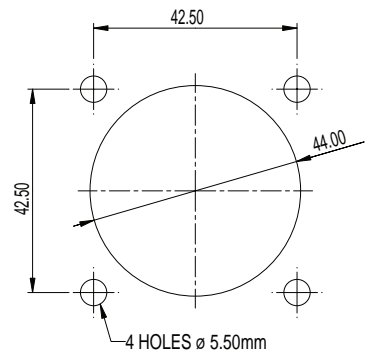
Engineered for life

PowerLock Panel Source



Panel Source connectors are supplied fully assembled with the male contact having an M12 threaded post, with nut and spring washer for connection to a standard cable lug. These connectors rated either 400 amp (T4) or 660 amp (T6).

The standard connector is mounted to a panel through 4 fixing holes on the flange, panel cut-out details are shown on the right. As an alternative, the flange holes can be pre-fitted with M6 threaded inserts for either front or rear fixing, add suffix M6F for front fitting or M6R for rear fitting (rear mounting may obscure the product label).



Neoprene Gaskets to seal the flange against a panel are available to order separately, order part number A2499001150.

Panel Cutout

If required, the connector can also be supplied without a flange (special option suffix – NF).

A Sliding Collar can be fitted to the source connector which allows a pair of connectors to be disconnected without the use of a separate release key.

Order suffix = SC



Threaded Insert



Gasket

Ordering information – see page M-2 for full details of the options available

Example part number:
NPS-N-BL-T4

NPS – X – XX – XX – XX

Line & Color	Contact	<u>Special Options</u>	
		M6F	M6 threaded insert front mounting
		M6R	M6 threaded insert rear mounting
		NF	No Flange
		SC	Sliding Collar

Panel connectors can also be supplied with an un-assembled crimp or set-screw contact. In this case the contact is fitted to the cable, and must be assembled to the insulator body before the fully assembled connector is fitted to the panel. This is a non-standard option, please contact your supplier for further information.

Dimensions shown in inches (mm)
Specifications and dimensions subject to change

