

## **Excellent Integrated System Limited**

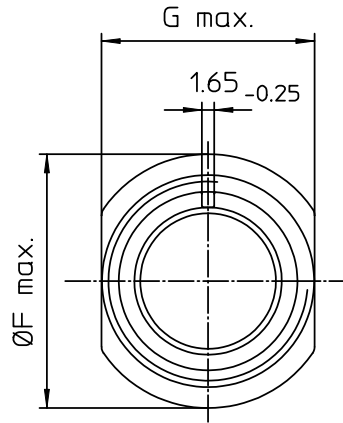
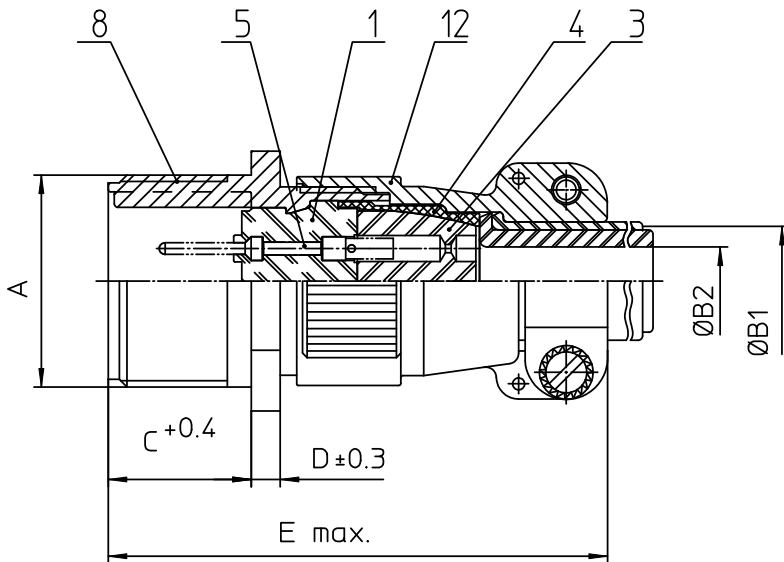
Stocking Distributor

Click to view price, real time Inventory, Delivery & Lifecycle Information:

[ITT Cannon, LLC](#)  
[CA01COME18-9P44](#)

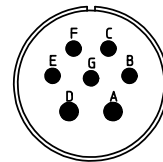
For any questions, you can email us directly:

[sales@integrated-circuit.com](mailto:sales@integrated-circuit.com)




NO.	MASSE / DIMENSION
A	1 1/8-18UNEF-2A
B1	14,3
B2	-
C	19
D	4
E	68
F	34,5
G	28,9

NO.	BESCHREIBUNG / DESCRIPTION
1	ISOLIERKÖRPER STIFT / INSULATOR PIN
3	DICHTKÖRPER / GROMMET
4	ENDRING / ENDRING
5	KONTAKTSTIFT / CONTACT PIN
8	DOSENGEHÄUSE / SHELL
12	ENDGEHÄUSE / ENDBELL



Note: Due to an automatic nomenclature system, numbers generated may not be sequential.  
Specification and Dimensions subject to change  
Drawings illustrate normal insulator positioning

Material Specification:
Shell Material: Aluminium alloy
Shell Plating: Nickel plated
Insulator Material: CR-Elastomere
Contact Material: Copper alloy
Contact Plating: Hard silver

all dimensions are in mm	drawing for
Dimensions without tolerance indications are general tolerances in acc. with DIN7168m	CUSTOMER
 <b>ITT</b> <i>Engineered for life</i> <small>ITT CANNON GERMANY D-75844 Weinstadt-Germersheim</small>	description CA01COM-E18-9P-44 Cable connecting plug Endbell with ferrule and grommet Solder Cup / Pin / Layout: 18-9
	© All rights reserved. Reproduction or issue to third in any form whatever is only permitted with written authorization of ITT Cannon.