



Excellent Integrated System Limited

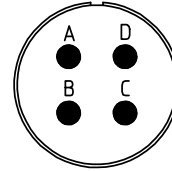
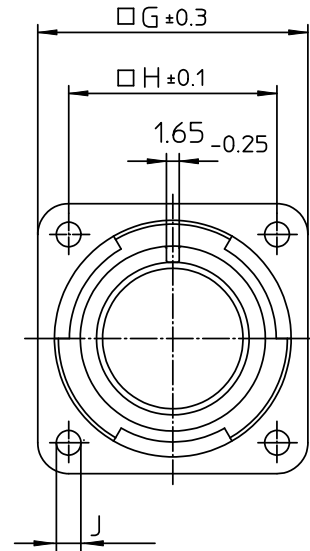
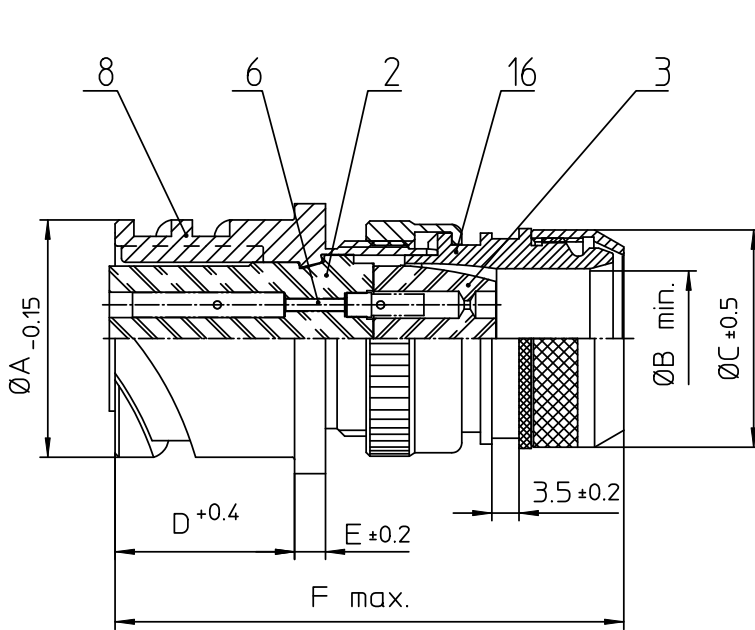
Stocking Distributor

Click to view price, real time Inventory, Delivery & Lifecycle Information:

[ITT Cannon, LLC](#)
[CA3100E14S-2SB05-13](#)

For any questions, you can email us directly:

sales@integrated-circuit.com

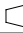


NO.	MASSE / DIMENSION
A	24.6
B	10.6
C	22
D	18.2
E	3.2
F	58
G	30
H	23
J	3.2

NO.	BESCHREIBUNG / DESCRIPTION
2	ISOLIERKÖRPER BUCHSE / INSULATOR SOCKET
3	DICHTKÖRPER / GROMMET
6	KONTAKTBUCHSE / CONTACT SOCKET
8	DOSENGEHÄUSE / SHELL
16	ENDGEHÄUSE GESCHIRMT / ENDBELL SHIELDED

Note: Due to an automatic nomenclature system, numbers generated may not be sequential.
Specification and Dimensions subject to change
Drawings illustrate normal insulator positioning

Material Specification:	
Shell Material:	Aluminium alloy
Shell Plating:	Olive drab chromate over cadmium (conductive)
Insulator Material:	CR-Elastomere
Contact Material:	Copper alloy
Contact Plating:	Hard silver

all dimensions are in mm Dimensions without tolerance indications are general tolerances in acc. with DIN7168m		drawing for CUSTOMER
 ITT <i>Engineered for life</i> <small>ITT CANNON GmbH D-71334 Winsted, Germany</small>	description	CA3100E14S-2S-B-05-13
	Box mounting receptacle (rear mount, through holes) shielded Shielded with endbell for shielded braids & heat shrinkable boots Solder Cup / Socket / Layout: 14S-2	
© All rights reserved. Reproduction or issue in third in any form whenever is only permitted with written authorization of ITT Cannon.	 page 1/1	revision 786 4, Jul 16