



## **Excellent Integrated System Limited**

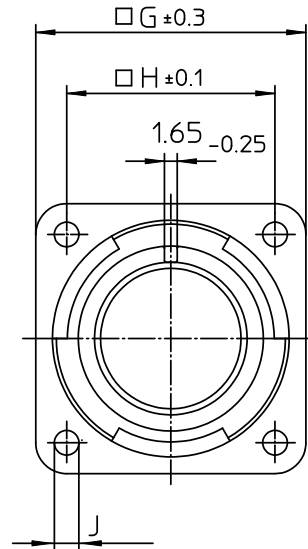
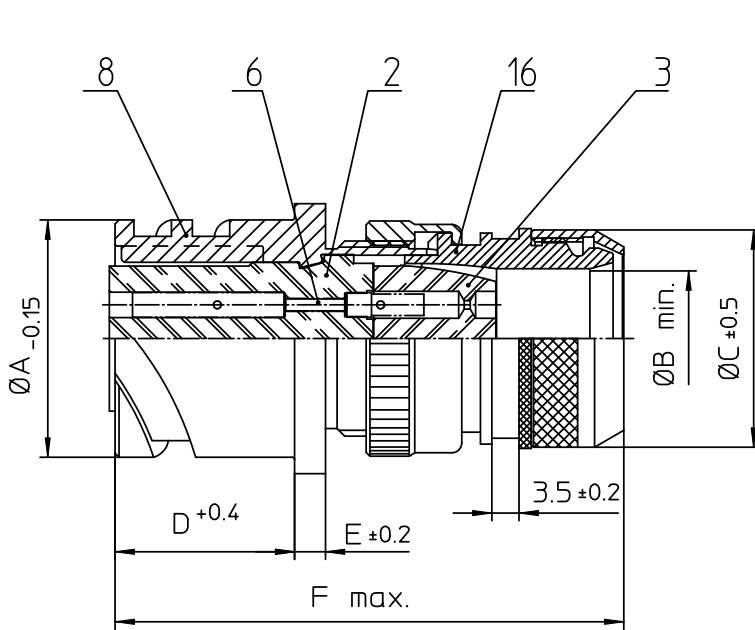
Stocking Distributor

Click to view price, real time Inventory, Delivery & Lifecycle Information:

[ITT Cannon, LLC](#)  
[CA3100E32-17SB05-15](#)

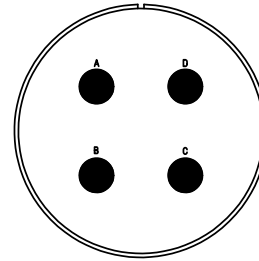
For any questions, you can email us directly:

[sales@integrated-circuit.com](mailto:sales@integrated-circuit.com)





NO.	MASSE / DIMENSION
A	53.4
B	33.3
C	48
D	24.05
E	4
F	75
G	57
H	44.5
J	4.3

NO.	BESCHREIBUNG / DESCRIPTION
2	ISOLIERKÖRPER BUCHSE / INSULATOR SOCKET
3	DICHTKÖRPER / GROMMET
6	KONTAKTBUCHSE / CONTACT SOCKET
8	DOSENGEHÄUSE / SHELL
16	ENDGEHÄUSE GESCHIRMT / ENDBELL SHIELDED



Note: Due to an automatic nomenclature system, numbers generated may not be sequential.  
Specification and Dimensions subject to change  
Drawings illustrate normal insulator positioning

Material Specification:	
Shell Material:	Aluminium alloy
Shell Plating:	Olive drab chromate over cadmium (conductive)
Insulator Material:	CR-Elastomere
Contact Material:	Copper alloy
Contact Plating:	Hard silver

all dimensions are in mm		Dimensions without tolerance indications are general tolerances in acc. with DIN7168m	drawing for CUSTOMER
 <b>ITT</b> Engineered for life ITT CANNON GmbH D-71336 Wernsdorf, Germany	description	CA3100E32-17S-B-05-15	
		Box mounting receptacle (rear mount, through holes) shielded Shielded with endbell for shielded braids & heat shrinkable boots AWG Crimp / Socket / Layout: 32-17	
© All rights reserved. Reproduction or issue in third in any form whenever is only permitted with written authorization of ITT Cannon.	 page 1/1 revision 786 4. Jul 16		