



Excellent Integrated System Limited

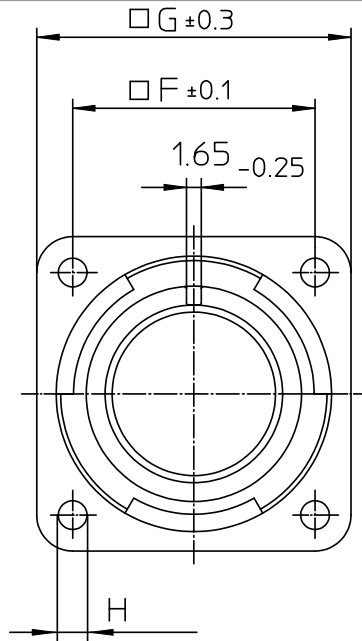
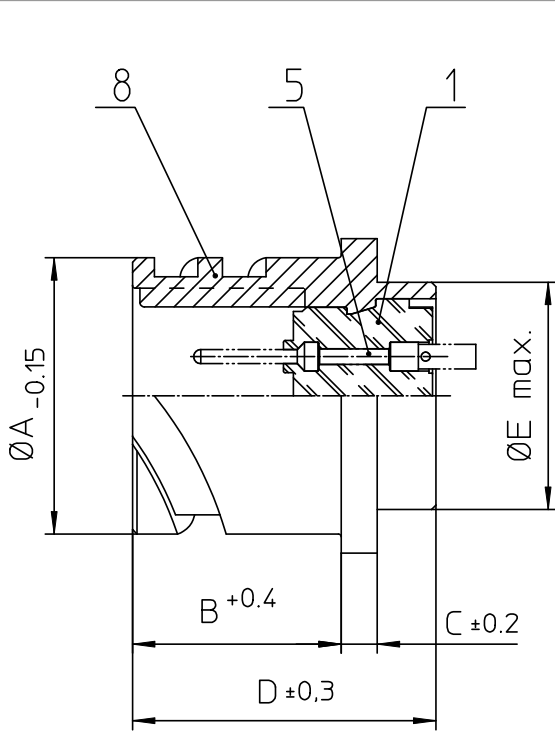
Stocking Distributor

Click to view price, real time Inventory, Delivery & Lifecycle Information:

[ITT Cannon, LLC](#)
[CA3102E32-1PYBF80](#)

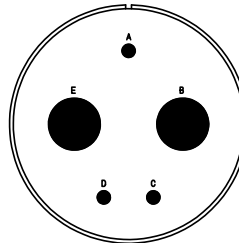
For any questions, you can email us directly:

sales@integrated-circuit.com




NO.	MASSE / DIMENSION
A	53.4
B	22.2
C	4
D	33.8
E	47.8
F	44.5
G	57
H	4.3

NO.	BESCHREIBUNG / DESCRIPTION
1	ISOLIERKÖRPER STIFT / INSULATOR PIN
5	KONTAKTSTIFT/ CONTACT PIN
8	DOSENGEHÄUSE / SHELL



Note: Due to an automatic nomenclature system, numbers generated may not be sequential.
Specification and Dimensions subject to change
Drawings illustrate normal insulator positioning
Material Specification:
Shell Material: Aluminium alloy
Shell Plating: Olive drab chromate over cadmium (conductive)
Insulator Material: CR-Elastomere
Contact Material: Copper alloy
Contact Plating: Hard silver

all dimensions are in mm Dimensions without tolerance indications are general tolerances in acc. with DIN7188m	drawing for CUSTOMER
 ITT Engineered for life ITT CANNON GmbH D-11109 Berlin, Germany	description CA3102E32-1PYB-F80 Box mounting receptacle
AWG Crimp / Pin / Layout: 32-1	revision
© All rights reserved. Reproduction or use in any form without written authorization of ITT Cannon	page 1/1 revision 786 4, Jul 16