



Excellent Integrated System Limited

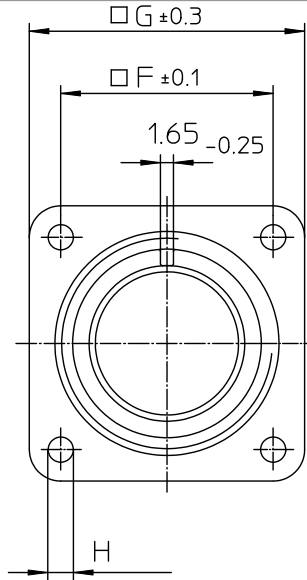
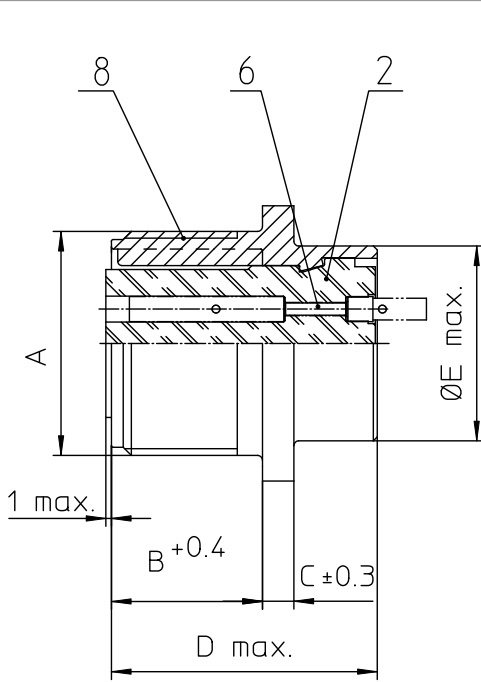
Stocking Distributor

Click to view price, real time Inventory, Delivery & Lifecycle Information:

[ITT Cannon, LLC](#)
[CA3102E36-A34S](#)

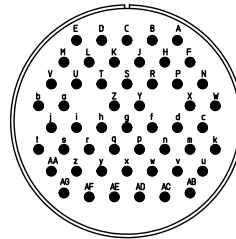
For any questions, you can email us directly:

sales@integrated-circuit.com



NO.	MASSE / DIMENSION
A	2 1/4-16UN-2A
B	22.2
C	4
D	34.2
E	52.4
F	49.2
G	63.5
H	4.4

NO.	BESCHREIBUNG / DESCRIPTION
2	ISOLIERKÖRPER BUCHSE / INSULATOR SOCKET
6	KONTAKTBUCHSE / CONTACT SOCKET
8	DOSENGEHÄUSE / SHELL



<p>Note: Due to an automatic nomenclature system, numbers generated may not be sequential. Specification and Dimensions subject to change Drawings illustrate normal insulator positioning</p>	
<p>Material Specification:</p>	
Shell Material:	Aluminium alloy
Shell Plating:	Olive drab chromate coating over cadmium plating
Insulator Material:	Neoprene
Contact Material:	Copper alloy
Contact Plating:	Hard silver

<p>all dimensions are in mm Dimensions without tolerance indications are general tolerances in acc. with DIN7168mm</p>	<p>drawing for CUSTOMER</p>
<p>ITT Engineered for life ITT Cannon GmbH D-71034 Vöhringen/Germany</p>	<p>description CA3102E36A34S Box mounting receptacle Solder Cup / Socket / Layout: 36A34</p>
<p>© All rights reserved. Reproduction or use in any form without written permission of ITT Cannon</p>	<p>page 1/1 revision 377.3, Jul 16</p>