



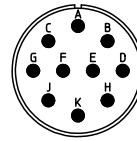
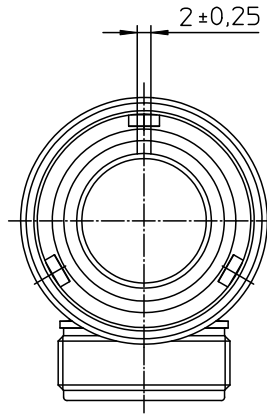
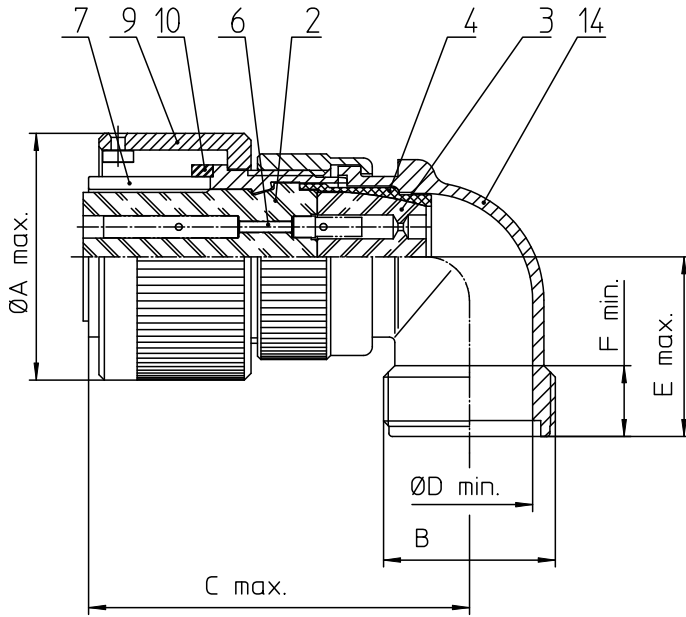
Excellent Integrated System Limited

Stocking Distributor

Click to view price, real time Inventory, Delivery & Lifecycle Information:

[ITT Cannon, LLC](#)
[CA3108F18-19SBF80A176A232](#)

For any questions, you can email us directly:
sales@integrated-circuit.com



NO.	MASSE / DIMENSION
A	36.5
B	1-20UNEF-2A
C	58
D	18.3
E	27
F	9.4


NO.	BESCHREIBUNG / DESCRIPTION
2	ISOLIERKÖRPER BUCHSE / INSULATOR SOCKET
3	DICHTKÖRPER / GROMMET
4	ENDRING / ENDRING
6	KONTAKTBUCHSE / CONTACT SOCKET
7	ZYLINDERGHÄUSE / BARREL
9	ÜBERWURFMUTTER / COUPLING NUT
10	DICHTRING FRONT / FRONT SEALING RING
14	F-ENDGEHÄUSE / F-ENDBELL

Note: Due to an automatic nomenclature system, numbers generated may not be sequential.

Specification and Dimensions subject to change
 Drawings illustrate normal insulator positioning

Material Specification:

Shell Material:	Aluminium alloy
Shell Plating:	Zinc cobalt, black (conductive)
Insulator Material:	CR-Elastomere
Contact Material:	Copper alloy
Contact Plating:	Gold 0,5 µm

all dimensions are in mm <small>Dimensions without tolerance indications are general tolerances in acc. with DIN7180m</small>	drawing for CUSTOMER
 ITT <small>Engineered for life</small> <small>ITT CANADA CORP.</small> <small>5 - 7124 Westside Drive</small>	description CA3108F18-19S-B-F80-A176-A232 Plug, 90° Endbell for flex tube AWG Crimp / Socket / Layout: 18-19
<small>© All rights reserved. Reproduction or use in any form without written authorization of ITT Cannon</small>	<small>page 1/1</small> <small>revision 786 4. Jul 16</small>