



Distributor of ITT Cannon, LLC: Excellent Integrated System Limited

Datasheet of CA3108R32-A10PF80 - CONN PLUG 54POS INLINE PIN RA

Contact us: sales@integrated-circuit.com Website: www.integrated-circuit.com

Excellent Integrated System Limited

Stocking Distributor

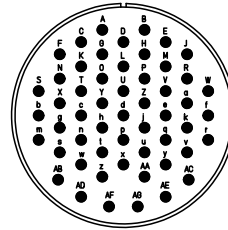
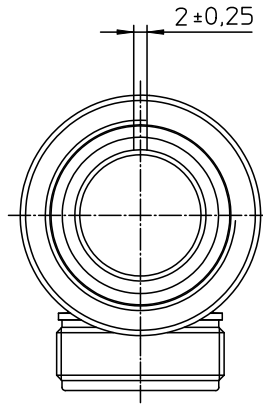
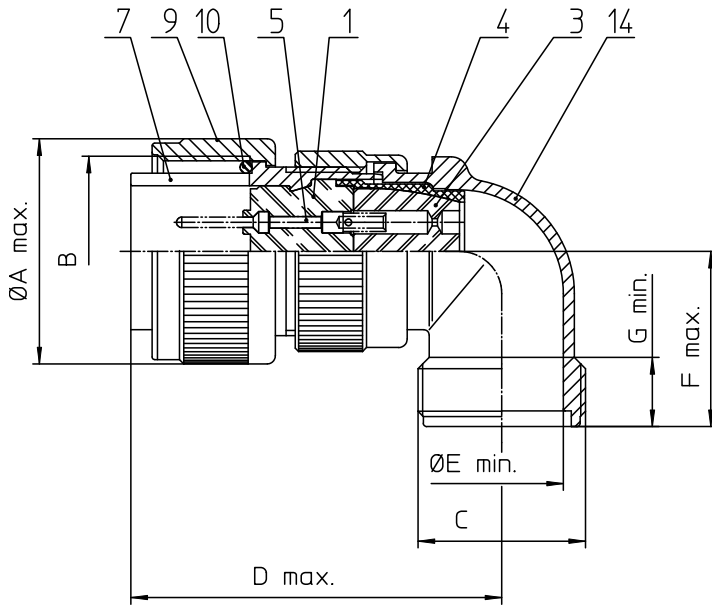
Click to view price, real time Inventory, Delivery & Lifecycle Information:

[ITT Cannon, LLC](#)

[CA3108R32-A10PF80](#)

For any questions, you can email us directly:

sales@integrated-circuit.com



NO.	MASSE / DIMENSION
A	56.4
B	2-18NS-2B
C	1 3/4-18NS-2A
D	51.7
E	37.5
F	40.5

NO.	BESCHREIBUNG / DESCRIPTION
1	ISOLIERKÖRPER STIFT / INSULATOR PIN
3	DICHTKÖRPER / GROMMET
4	ENDRING / ENDRING
5	KONTAKTSTIFT/ CONTACT PIN
7	ZYLINDERGHÄUSE / BARREL
9	ÜBERWURFMUTTER / COUPLING NUT
10	DICHTRING FRONT / FRONT SEALING RING
12	ENDGEHÄUSE / ENDBELL

Note: Due to an automatic nomenclature system, numbers generated may not be sequential.
Specification and Dimensions subject to change
Drawings illustrate normal insulator positioning

Material Specification:
Shell Material: Aluminium alloy
Shell Plating: Olive drab chromate coating over cadmium plating
Insulator Material: Neoprene
Contact Material: Copper alloy
Contact Plating: Hard silver

all dimensions are in mm
Dimensions without tolerance indicators are general tolerances in acc. with DIN 7168m
drawing for CUSTOMER



description CA3108R32A10P-F80
Plug 90°
Shortened light-weight endbell without cable clamp
AWG Crimp / Pin / Layout: 32A10

© All rights reserved. Reproduction or issue to third in any form without the prior written permission of ITT Cannon
page 1/1 revision 377.3, Jul 16