

Excellent Integrated System Limited

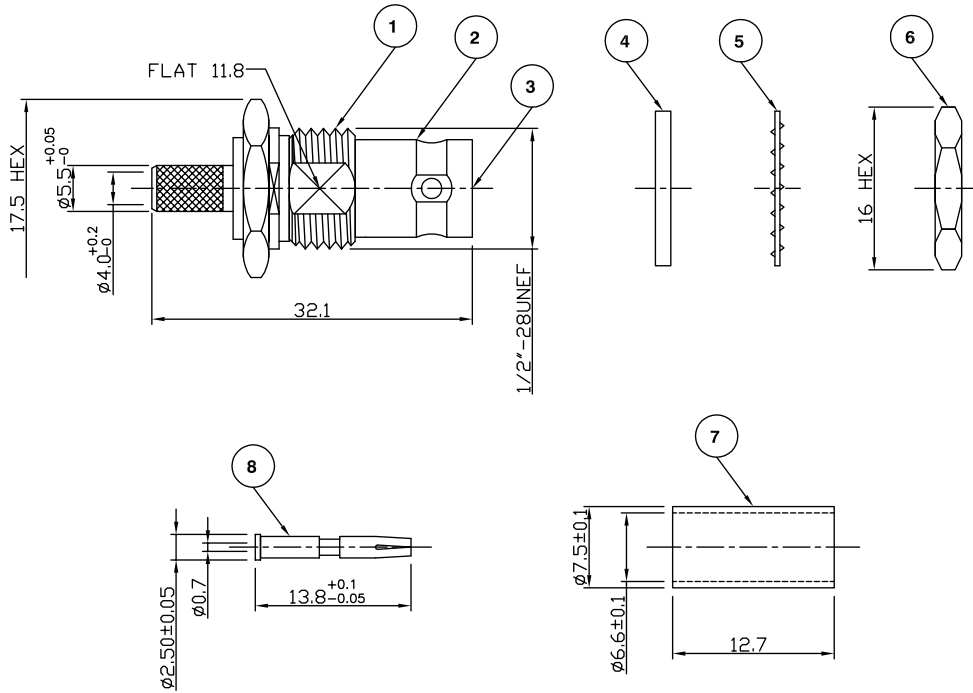
Stocking Distributor

Click to view price, real time Inventory, Delivery & Lifecycle Information:

[Bel Fuse Inc.](#)
[VBI40-2031](#)

For any questions, you can email us directly:
sales@integrated-circuit.com

RoHS COMPLIANT



For stripping and assembly instructions see Drawing Number: VAIB4101

Electrical Characteristics

Nominal Impedance:	50 ohms
Frequency Range:	DC to 4 GHz
VSWR:	1.35:1 maximum
Insertion Loss:	0.2 dB at 3 GHz
Operating Voltage (rms):	500 V maximum at sea level
Dielectric Withstand Voltage (rms):	1500 V maximum at sea level
Contact Resistance:	1.5 milliohms maximum
Insulation Resistance:	5000 megohms minimum

Mechanical Characteristics

Mating Cycles:	500 cycles minimum
Interface Dimensions:	Conform to MIL-C-39012

Environmental Characteristics

Temperature Range:	-55 °C to +85 °C
--------------------	------------------

PART	DESCRIPTION
1	Body Insulation ABS
2	Body Brass, nickel plated
3	Dielectric POM
4	Gasket PVC
5	Washer Steel, nickel plated
6	Nut Brass, nickel plated
7	Ferrule Brass, nickel plated
8	Contact Brass, gold plated

Panel Cut-Out: PCD-3

CAD Issue	SN	2	31 Jul 03
First Issue	AT	1	29 Apr 96
DESCRIPTION OF REVISION	APPVD	ISS	DATE



Cinch Connectivity Solutions
 7-13 Russell Way,
 Witford Industrial Estate,
 Chelmsford, Essex,
 CM1 3AA, UK.
 Tel: +44 (0) 1245 359515
 Fax: +44 (0) 1245 358938

SCALE: Not To Scale
 DIMENSIONS: mm
 TOLERANCES:
 ± 0.2mm unless
 otherwise stated

DRAWN BY: S Nash
 CHECKED BY:
 APPROVED BY:
 DATE: 31 Jul 03

TITLE:
**Insulated BNC Crimp
 Bulkhead Jack for RG59**

PART NUMBER:
VBI40-2031

PAGE: 1 of 1