

## Excellent Integrated System Limited

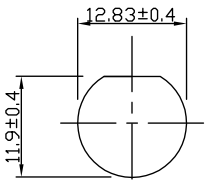
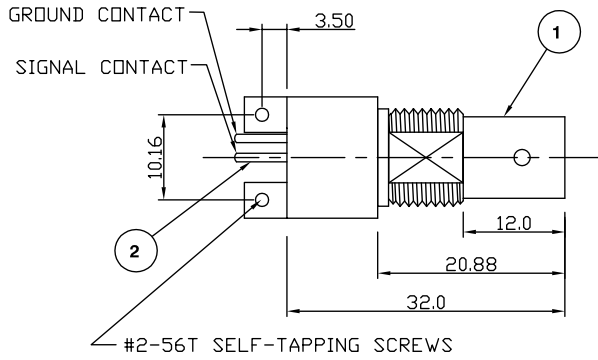
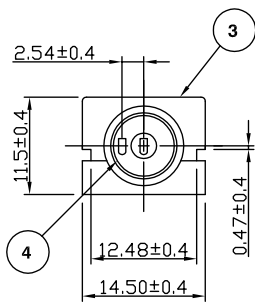
Stocking Distributor

Click to view price, real time Inventory, Delivery & Lifecycle Information:

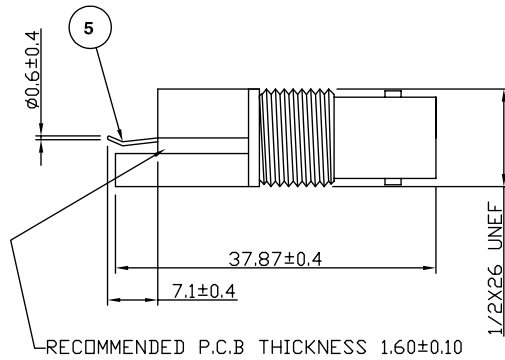
[Bel Fuse Inc.](#)  
[VBI402-75](#)

For any questions, you can email us directly:  
[sales@integrated-circuit.com](mailto:sales@integrated-circuit.com)

RoHS COMPLIANT



PANEL CUTOUT



**Electrical Characteristics**

Nominal Impedance:	75 ohms
Frequency Range:	DC to 1 GHz
Insertion Loss:	0.2 dB at 1 GHz
Operating Voltage (rms):	500 V maximum at sea level
Dielectric Withstand Voltage (rms):	1500 V maximum at sea level
Contact Resistance:	3.0 milliohms maximum
Insulation Resistance:	5000 megohms minimum

**Mechanical Characteristics**

Mating Cycles:	500 cycles minimum
Interface Dimensions:	Conform to MIL-C-39012

**Environmental Characteristics**

Temperature Range:	-55 °C to +85 °C
--------------------	------------------

PART	DESCRIPTION
1	Body Zinc Alloy, nickel plated 2.54 µm
2	Contact Gold plated at contact area Tin/Lead plated at tail 1.22µm to 2.54µm, nickel plated
3	Housing PBT (UL 94 V-0)
4	Insulator Polypropylene UL 94HB
5	Ground Terminal Copper, tin plated

Dimensional Update	JT	2	13 May 10
First Issue	SN	1	11 Oct 01
DESCRIPTION OF REVISION	APPVD	ISS	DATE



**Cinch Connectivity Solutions**  
7-13 Russel Way,  
Widford Industrial Estate,  
Chelmsford, Essex,  
CM1 3AA, UK.  
Tel: +44 (0) 1245 359515  
Fax: +44 (0) 1245 358938

SCALE: Not To Scale  
DIMENSIONS: mm  
TOLERANCES:  
± 0.2mm unless  
otherwise stated

DRAWN BY:	S Nash
CHECKED BY:	R Drennan
APPROVED BY:	P Couzens
DATE:	11 Oct 01

TITLE:  
**BNC PCB Edge Mount Jack**

PART NUMBER:  
**VBI402-75**  
PAGE: 1 of 1