



Excellent Integrated System Limited

Stocking Distributor

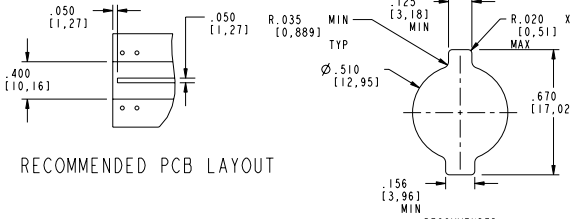
Click to view price, real time Inventory, Delivery & Lifecycle Information:

[Amphenol RF](#)
[031-6233](#)

For any questions, you can email us directly:

sales@integrated-circuit.com

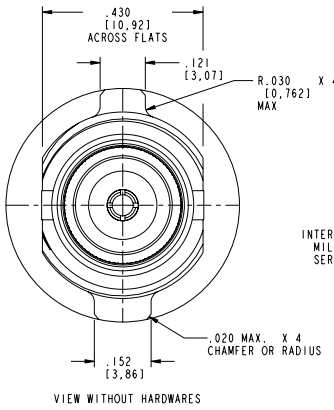
- NOTES:
- MATERIALS AND FINISHES:
 BODY - ZAMAK 3, NICKEL PLATING
 CONTACT - BeCu, GOLD PLATING (.000030 THICK)
 INSULATOR - PTFE
 LOCKWASHER, R. RING, NUT - BRASS, NICKEL PLATED
 - ELECTRICAL:
 A. IMPEDANCE: 50 OHM
 B. FREQUENCY RANGE: DC - 3 GHz
 C. VSWR: 1.29 MAX.
 - MECHANICAL:
 A. DURABILITY: 500 CYCLES MIN.
 B. TEMPERATURE RANGE: -65° C TO +165° C
 - PACKAGING:
 A. QUANTITY: SINGLE PACK
 B. MARKING: BAG TO BE MARKED
 AMPHENOL, 31-6233, AND DATE CODE



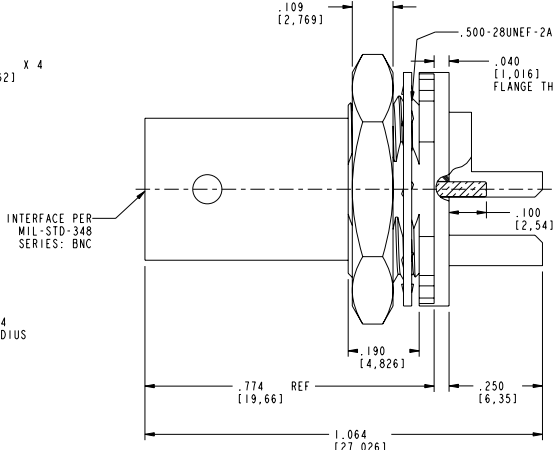
RECOMMENDED PCB LAYOUT

RECOMMENDED PANEL MOUNT DIMENSIONS SCALE 2.000

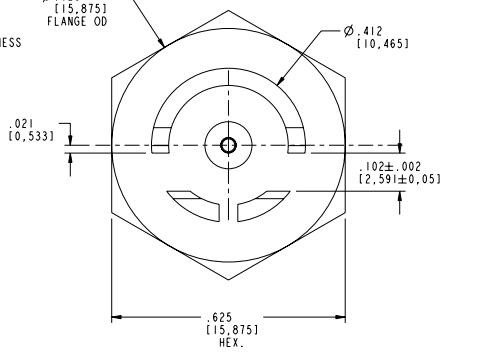
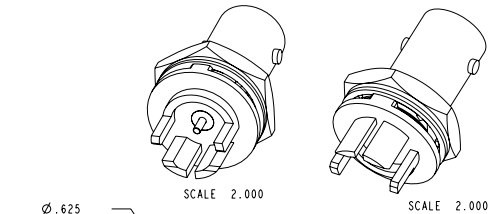
31-6233		REVISIONS			
DRAWING NO.	REV	DESCRIPTION	DATE	ECO	APPR
THIRD ANGLE PROJ.	A	RELEASE TO MFG.	11/1/04	45219	HP
	B	A) ADDED KEYS ON BODY B) CHANGE THE RECTANGULAR FLANGE TO CIRCULAR C) REORIENT THE FLAT AND LUGS ON BODY D) ADDED VIEW SHOWING KEYS ON THE BODY E) CHANGED THE PANEL MOUNT, WITH ADDED RADIUS	5/6/05	45540	HP
	C	CHGD NOTE 1 TO CALLED OUT BODY MATL. TO : ZAMAK 3	12/22/05	45808	HP
	D	ADDED INTERNAL RIBS TO BODY	4/24/06	46046	MAH
	E	ADDED GROOVE IN INSULATOR FOR TEMP RESISTANCE	8/14/06	46203	MAH



VIEW WITHOUT HARDWARE



INTERFACE PER MIL-STD-348 SERIES: BNC



CUSTOMER OUTLINE DRAWING
ALL OTHER SHEETS ARE FOR INTERNAL USE ONLY

UNLESS OTHERWISE SPECIFIED, DIMENSIONS ARE IN INCHES AND TOLERANCES ARE: 2 PLACE DECIMAL ±.015 (0.381 mm) 3 PLACE DECIMAL ±.005 (0.127 mm) ANGLES ± 1°	MATERIAL	DRAWN H. PARIKH	DATE 04-Jun-04	TITLE	Amphenol RF Danbury, CT, USA Tainan, Taiwan Shenzhen, China www.amphenolrf.com		
	NOTICE - These drawings, specifications, or other data (1) are, and remain the property of Amphenol Corp. (2) must be returned upon request; and (3) are confidential and not to be disclosed to any person other than those to whom they are given by Amphenol Corp. The furnishing of these drawings, specifications, or other data by Amphenol Corp., or to any other person to anyone for any purpose is not to be regarded by implication or otherwise in any manner licensing, granting rights or permitting such holder or any other person to manufacture, use or sell any product, process or design, patented or otherwise, that may in any way be related to or disclosed by said drawings, specifications, or other data.	REFERENCE EAR# 1384 611X-4172-100	ENGINEER H. PARIKH	DATE 04-Jun-04		BNC 50 OHMS BOARD MOUNT JACK	SCALE: 4.0:1 SHEET 2 OF 2
		APPROVED O. BARTHELMES	DATE 10/20/04	CODE ID 74868	DWG SIZE B	DRAWING NO. 31-6233	REV E