

## **Excellent Integrated System Limited**

Stocking Distributor

Click to view price, real time Inventory, Delivery & Lifecycle Information:

[Amphenol RF](#)  
[082-5993](#)

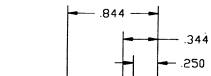
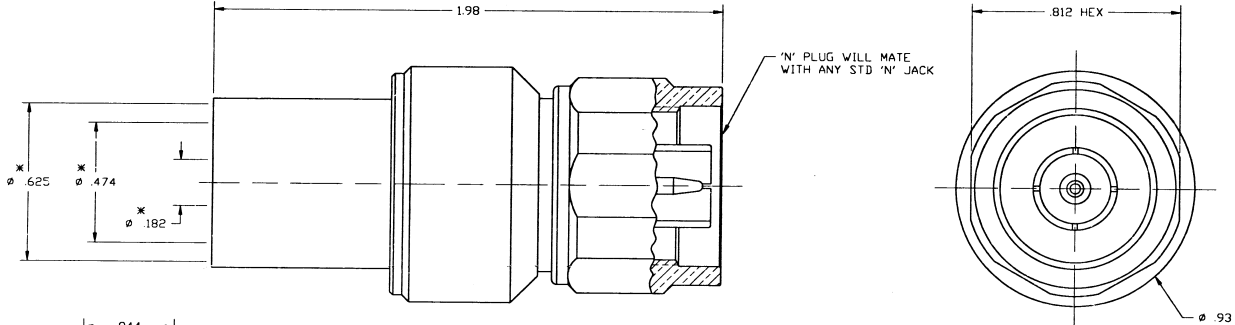
For any questions, you can email us directly:  
[sales@integrated-circuit.com](mailto:sales@integrated-circuit.com)

NOTES:

1. MATERIALS OF CONSTRUCTION:  
 CONTACT - BRASS, GOLD PLATED  
 BODY & COUPLING NUT - BRASS, SILVER PLATED.  
 INSULATOR - PTFE  
 OUTER FERRULE - COPPER ALLOY, SILVER PLATED.  
 GASKET - SILICONE RUBBER.
2. NOMINAL IMPEDANCE: 50 OHMS.
3. DO NOT SCALE THIS DRAWING.
4. UNLESS OTHERWISE SPECIFIED, ALL DIMENSIONS ARE AFTER PLATING.
5. FOR CABLE STRIPPING AND ASS'Y. INSTRUCTIONS SEE AMPHENOL SPEC 349-50624.
6. ASTERISK (\*) INDICATES CABLE ENTRY DIMENSIONS.

82-5993

DRAWING NO.		REVISIONS			
REV	DESCRIPTION	DATE	ECO	APPR	
A	OFFICIAL ENG. RELEASE TO MFG.	5/3/96	41165	EPM/RAV	
B	SEE SHEET ONE	6/6/96	41411	EPM/DZ	



RECOMMENDED CABLE STRIPPING DIMENSIONS

\*'N' PLUG WILL MATE WITH ANY STD 'N' JACK

CUSTOMER OUTLINE DWG.

UNLESS OTHERWISE SPECIFIED, DIMENSIONS ARE IN INCHES AND TOLERANCES ARE: 2 PLACE DECIMAL ± 0.015 (0.381 mm)    3 PLACE DECIMAL ± 0.005 (0.127 mm) ANGLE ± 1°	MATERIAL	DRAWN	DATE	TITLE	<b>Amphenol</b> Amphenol Corporation RF/Microwave Operations Danbury, Conn. U.S.A. 06810		
	REFERENCE	ENGINEER	DATE	TYPE 'N' PLUG FOR TIMES FIBER COMM. TWB-6001-TC CABLE			
NOTICE - These drawings, specifications, or other data (1) are, and remain the property of Amphenol Corp. (2) must be returned upon request, and (3) are confidential and not to be disclosed to any person other than those to whom they are given by Amphenol Corp. The furnishing of these drawings, specifications, or other data by Amphenol Corp., or to any other person to anyone for any purpose is not to be construed by implication or otherwise in any manner licensing, granting rights or protecting such holder or any other person to manufacture, use or sell any product, process or design, patented or otherwise, that may in any way be related to or disclosed by said drawings, specifications, or other data.	EAR 964998-0 611X-3633	D. BARTHELME	2/14/96		SCALE: 3:1		
		APPROVED	R. VACCARD	3/19/96		SHEET 2 OF 2	
		CAD FILE	H:\DEPT611\N\082\ASSY\5993SHT2	CODE ID	DWG SIZE	DRAWING NO.	REV
				74868	B	82-5993	B