

Excellent Integrated System Limited

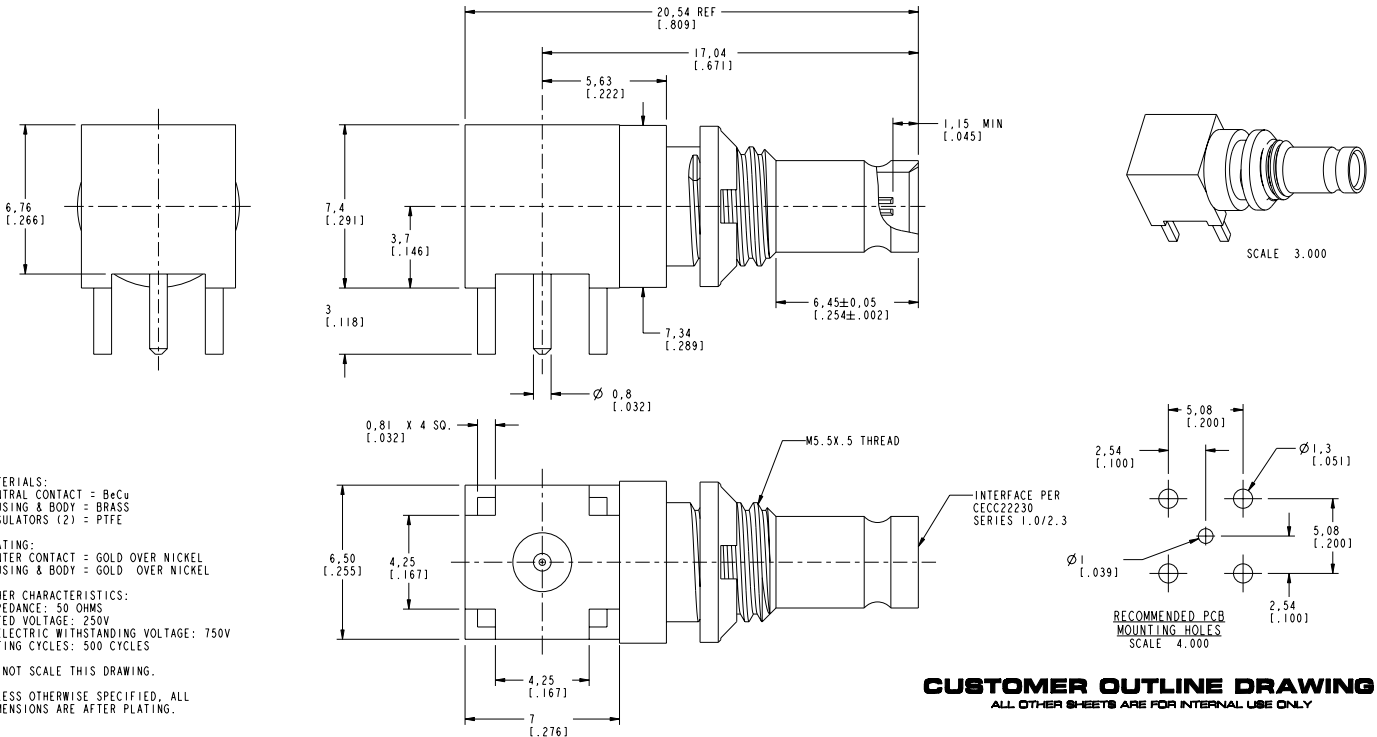
Stocking Distributor

Click to view price, real time Inventory, Delivery & Lifecycle Information:

[Amphenol RF](#)
[102-909-04](#)

For any questions, you can email us directly:
sales@integrated-circuit.com

102-909-04		REVISIONS			
DRAWING NO.	REV	DESCRIPTION	DATE	ECO	APPR
THIRD ANGLE PROJ.	A	RELEASE TO MFG.	12/13/01	43919	CPM
	B	SEE SHEET 1	11/7/02	44214	CPM



UNLESS OTHERWISE SPECIFIED, DIMENSIONS ARE IN INCHES AND TOLERANCES ARE: 0.5 - 6mm ±0.2mm 6 - 30mm ±0.4mm 30 - 120mm ±0.6mm NOTICE - These drawings, specifications, or other data (1) are, and remain the property of Amphenol Corp. (2) must be returned upon request; and (3) are confidential and not to be disclosed to any person other than those to whom they are given by Amphenol Corp. The furnishing of these drawings, specifications, or other data by Amphenol Corp., or to any other person to anyone for any purpose is not to be regarded by implication or otherwise in any manner licensing, granting rights or permitting such holder or any other person to manufacture, use or sell any product, process or design, patented or otherwise, that may in any way be related to or disclosed by said drawings, specifications, or other data.	MATERIAL REFERENCE EARN 157 GEN# 102-909-02_ASSY 615X-1671-100	DRAWN C. McGRATH ENGINEER O. BARTHELMES APPROVED O. BARTHELMES CAD FILE 1:\1023\102-909-04	DATE 12/11/01 DATE 12/11/01 DATE 12/13/01	TITLE 1.0/2.3 R/A PCB JACK	Amphenol Amphenol Corporation Communication and Network Products Division Danbury, CT U.S.A. 06810 SCALE: 6.0:1 SHEET 2 OF 2
	CODE ID 74868 DWG SIZE B DRAWING NO. 102-909-04 REV B				