

## Excellent Integrated System Limited

Stocking Distributor

Click to view price, real time Inventory, Delivery & Lifecycle Information:

[Amphenol RF](#)  
[531-40078-1](#)

For any questions, you can email us directly:  
[sales@integrated-circuit.com](mailto:sales@integrated-circuit.com)

NOTES:

1. MATERIALS AND FINISHES:

- BODY - BRASS - TIN PLATED
- CONTACT - BeCu - BRIGHT TIN PLATED
- FERRULE - BRASS - TIN PLATED
- INSULATOR - POLYPROPYLENE

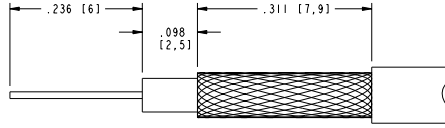
2. ELECTRICAL:

- A. IMPEDANCE = 75 OHMS, NOMINAL
- B. VSWR (RETURN LOSS) (DC-1.0 GHz) = 1.25 : 1 MAX. [19.1 dB]  
(1.0-1.5 GHz) = 2.0 : 1 MAX. [9.5 dB]
- C. INSERTION LOSS (DC-1.0 GHz) = 0.10 dB MAX.  
(1.0-1.5 GHz) = 0.55 dB MAX.
- D. DIELECTRIC WITHSTANDING VOLTAGE = 1500 VRMS
- E. INSULATION RESISTANCE = 500 MEGOHMS MIN.

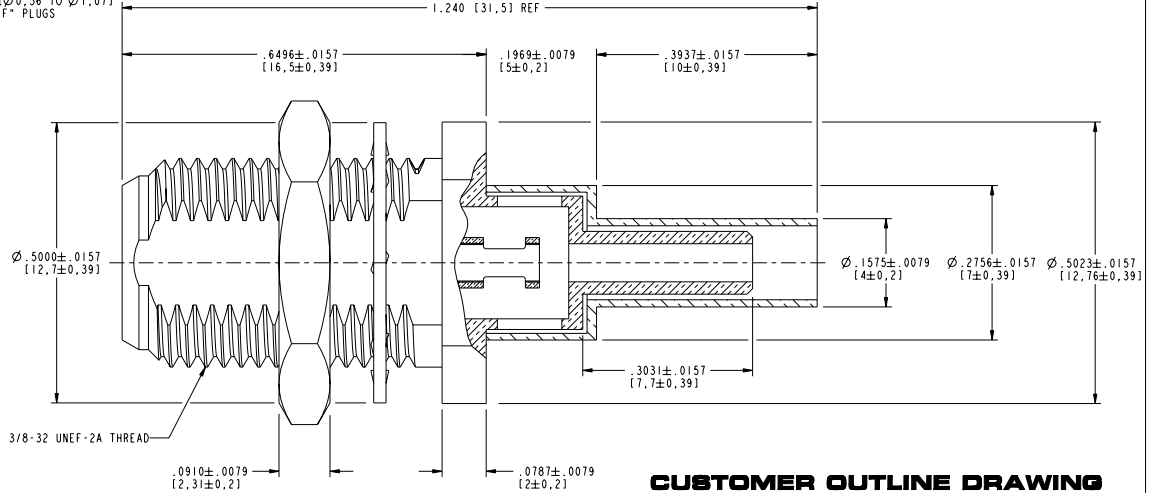
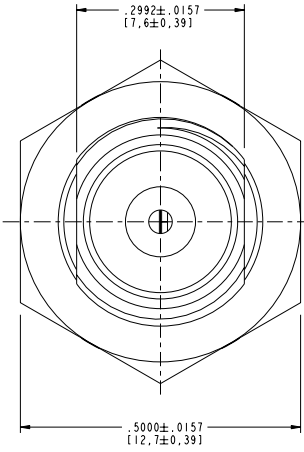
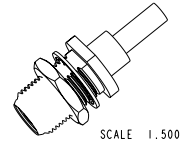
3. PHYSICAL:

- A. OPERATING TEMPERATURE = -40°F TO +140°F (-40°C TO +60°C)
- B. CENTER CONTACT TO ACCEPT Ø.022 TO Ø.042 PIN [Ø0.56 TO Ø1.07]
- C. INTERFACE IS COMPATIBLE WITH SCTE IPS-SP-401 "F" PLUGS

531-40078-1		REVISIONS			
DRAWING NO.	REV	DESCRIPTION	DATE	ECO	APPR
THIRD ANGLE PROJ.	A	RELEASE TO MFG	5/9/01	43761	CPM
	B	SEE SHEET 1	6/20/05	45590	CPM



SCALE 6.000  
 RECOMMENDED CABLE  
 STRIPPING DIMENSIONS



**CUSTOMER OUTLINE DRAWING**  
 ALL OTHER SHEETS ARE FOR INTERNAL USE ONLY

UNLESS OTHERWISE SPECIFIED, DIMENSIONS ARE IN INCHES AND TOLERANCES ARE:  
 2 PLACE DECIMAL ±.015 (0.381 mm) 3 PLACE DECIMAL ±.005 (0.127 mm) ANGLES ± 1°

NOTICE - These drawings, specifications, or other data (1) are, and remain the property of Amphenol Corp. (2) must be returned upon request; and (3) are confidential and not to be disclosed to any person other than those to whom they are given by Amphenol Corp. The furnishing of these drawings, specifications, or other data by Amphenol Corp., or to any other person to anyone for any purpose is not to be regarded by implication or otherwise in any manner licensing, granting rights or permitting such holder or any other person to manufacture, use or sell any product, process or design, patented or otherwise, that may in any way be related to or disclosed by said drawings, specifications, or other data.

MATERIAL

REFERENCE  
 EAR 967494-0  
 GEN# ASSYF10.F

DRAWN

C. McGRATH

ENGINEER

V. NGUYEN

APPROVED

O. BARTHELMES

CAD FILE

1:\CATV\F&G\531-40078-1

DATE

5/9/01

DATE

5/9/01

DATE

5/9/01

TITLE

'F' RECEPTACLE,  
 CRIMP TYPE, STRAIGHT  
 FOR RG-179, W/ HARDWARE

Amphenol RF

Danbury, CT, USA  
 Tainan, Taiwan  
 Shenzhen, China  
 www.amphenolrf.com

SCALE: 6.0:1 SHEET 2 OF 2

CODE ID  
 74868

DWG SIZE  
 B

DRAWING NO.  
 531-40078-1

REV  
 B