

Excellent Integrated System Limited

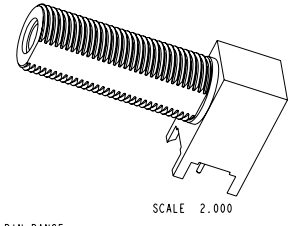
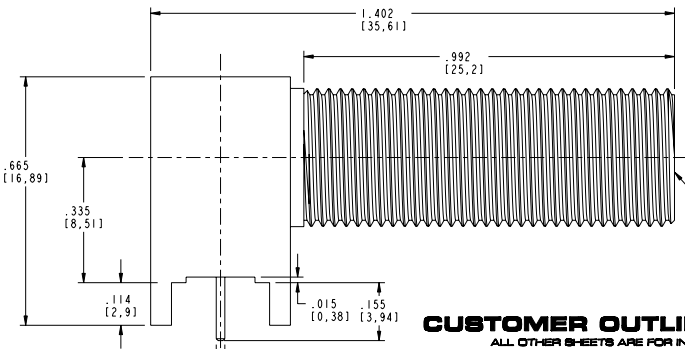
Stocking Distributor

Click to view price, real time Inventory, Delivery & Lifecycle Information:

[Amphenol RF](#)
[531-40156](#)

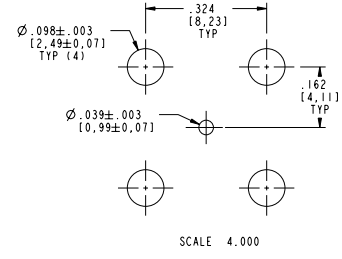
For any questions, you can email us directly:
sales@integrated-circuit.com

NOTES:	531-40156		REVISIONS				
	DRAWING NO.	REV	DESCRIPTION	DATE	ECO	APPR	
1. MATERIALS AND FINISHES: BODY CUBE - BRASS, MATTE TIN PLATING OVER NICKEL OVER COPPER BODY BARREL - BRASS, MATTE TIN PLATING OVER NICKEL OVER COPPER MALE CONTACT - BRASS, MATTE TIN PLATING OVER NICKEL - WISKER FREE FEMALE CONTACT - BeCu, MATTE TIN PLATING OVER NICKEL - WISKER FREE INSULATORS - PTFE 2. ELECTRICAL: A. IMPEDANCE: 75 OHM B. FREQUENCY RANGE: DC - 3.0 GHz C. RETURN LOSS: 25 dB MIN (1.12 MAX VSWR) 3. MECHANICAL: A. DURABILITY: 150 CYCLES MIN. B. TEMPERATURE RANGE: -40° C TO +105° C 4. PACKAGING: A. QUANTITY: SINGLE PACK B. MARKING: BAG TO BE MARKED "AMPHENOL, 531-40156, AND DATE CODE" 5. MEETS THE FOLLOWING TORQUE SPEC WHEN TESTED PER 349-50729 MATING TORQUE: 30 IN-LBS BULKHEAD TORQUE: 12 IN-LBS	THIRD ANGLE PROJ.	⊕	A	RELEASE TO MFG.	8/13/03	44581	KJC
			B	FEMALE CONTACT PLATING WAS GOLD	5/2/05	45527	KJC
			C	ADDED NOTE 5	6/6/05	45557	CPM
			D	NOTE 1 CHANGED TO MATTE TIN	11/1/05	45784	CPM
			E	DRAWING IS RELEASE IN ARFA	10-Dec-08		S.H

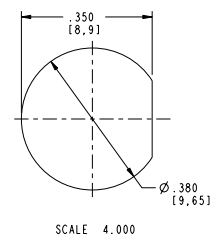


CUSTOMER OUTLINE DRAWING
 ALL OTHER SHEETS ARE FOR INTERNAL USE ONLY

RECOMMENDED PCB MOUNTING DIMENSIONS



RECOMMENDED PANEL MOUNTING DIMENSIONS



UNLESS OTHERWISE SPECIFIED, DIMENSIONS ARE IN INCHES AND TOLERANCES ARE: 2 PLACE DECIMAL ±.015 (0.381 mm) 3 PLACE DECIMAL ±.005 (0.127 mm) ANGLES ±1°	MATERIAL REFERENCE EAR 8665 GEN #616X-1098-100 616X-1099-100	DRAWN K. CAPOZZI ENGINEER K. CAPOZZI	DATE 8/9/02 DATE 8/9/02	TITLE R/A EXTENDED F TO PCB	Amphenol RF Danbury, CT, USA Tainan, Taiwan Shenzhen, China www.amphenolrf.com
		APPROVED O. BARTHELMES CAD FILE I:\F&G\531-40156	DATE 8/13/03		