

Excellent Integrated System Limited

Stocking Distributor

Click to view price, real time Inventory, Delivery & Lifecycle Information:

[Amphenol RF](#)
[901-10170](#)

For any questions, you can email us directly:

sales@integrated-circuit.com



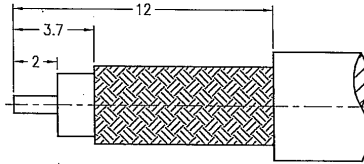
NOTES:

- MATERIALS AND FINISHES (PLATING THICKNESS IN MICRO-INCHES):
 BODY - BRASS, GOLD PLATING
 CONTACT - BERYLLIUM COPPER; GOLD PLATING
 INSULATOR - PTFE
- ELECTRICAL:
 A. IMPEDANCE: 50 OHM
 B. FREQUENCY RANGE: DC 0-12.4 GHz
 C. VSWR (RETURN LOSS): 1.3, MAX.
 D. DIELECTRIC WITHSTANDING VOLTAGE: 1000 VRMS, MIN.
- MECHANICAL:
 A. DURABILITY: 500 CYCLES MIN.
 B. TEMPERATURE RANGE: - 65°C to +165°C
- CRIMPED FERRULE
 HEX CRIMP SIZE .178"
- CONTACT PIN TO SOLDER

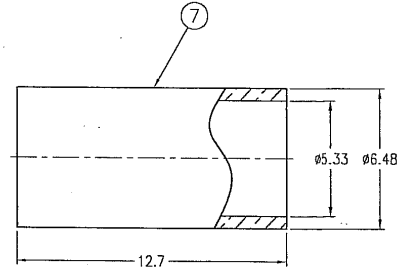
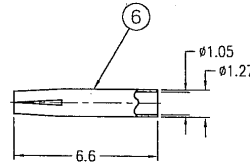
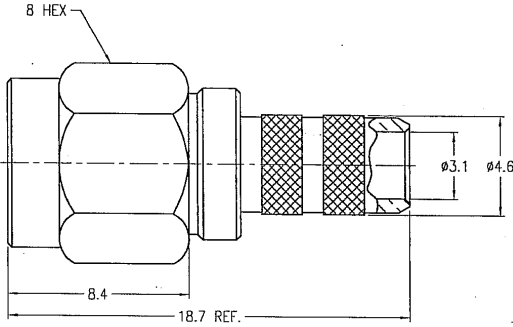
THIRD ANGLE PROJ.

REVISIONS

REV	DESCRIPTION	DATE	ECO	APPR
B	NO.1 WAS CHANGED RD-DM89042001C	04-20-00		Sharon
C	NO.6 WAS CHANGED RD-DM89103101Y	10-31-00		Sharon
C1	NO.6 WAS CHANGED N/A	09-24-03		Sharon
D	NO.1 WAS CHANGED	20-Dec-06	46388	Emily



RECOMMENDED
CABLE STRIPPING DIM'S
(建議剝線尺寸)



CUSTOMER OUTLINE DRAWING
 ALL OTHER SHEETS ARE FOR INTERNAL USE ONLY

UNLESS OTHERWISE SPECIFIED, DIMENSIONS ARE IN METRIC AND TOLERANCES ARE:
 0.5 - 6mm ±0.1mm
 6 - 30mm ±0.2mm
 30 - 120mm ±0.3mm
 ANGLES ±1°

NOTICE - These drawings, specifications, or other data (1) are, and remain the property of Amphenol Corp. (2) must be returned upon request; and (3) are confidential and not to be disclosed to any person other than those to whom they are given by Amphenol Corp. The furnishing of these drawings, specifications, or other data by Amphenol Corp., or to any other person to anyone for any purpose is not to be regarded by implication or otherwise in any manner licensing, granting rights or permitting such holder or any other person to manufacture, use or sell any product, process or design, patented or otherwise, that may in any way be related to or disclosed by said drawings, specifications, or other data.

MATERIAL	DRAWN Emily ENGINEER	DATE 20-Dec-06	TITLE SMA REVERSE POLARITY CRIMP PLUG (FOR RG-58C/U, 58/U)	Amphenol RF Danbury CT USA, Tainan Taiwan, Shenzhen China www.amphenolrf.com
REFERENCE	APPROVED Jerry Scott	DATE 20-Dec-06	SCALE: 4/1	DRAWING NO. RSM1111A1-3G150G-58U-50
FINISH PER KAI JACK SPEC. EP-SS-9700	CAD FILE F:\DWG\RSM1111A1\58U-50\3G150G-DSZ	DATE 20-Dec-06	SHEET 1 OF 1	ITEM NO. 611111AAA58GA5F
			DWG SIZE B	PART NO. 901-10170
			CODE ID 74868	
			REV D	