



Excellent Integrated System Limited

Stocking Distributor

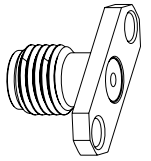
Click to view price, real time Inventory, Delivery & Lifecycle Information:

[Amphenol RF](#)
[901-9814](#)

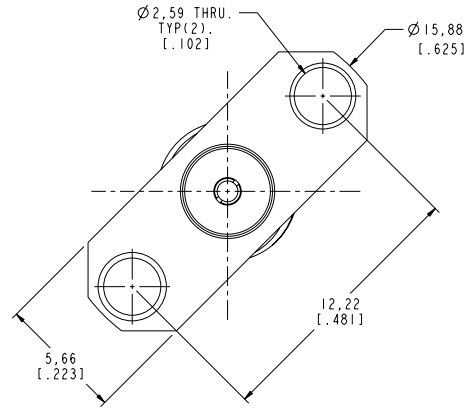
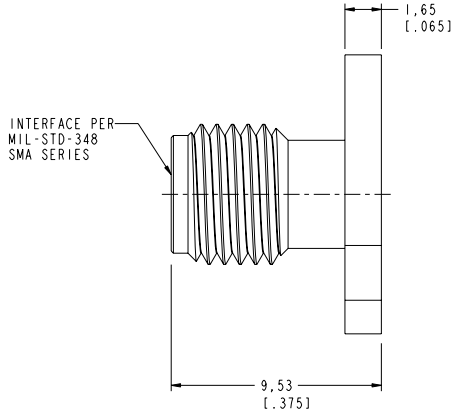
For any questions, you can email us directly:
sales@integrated-circuit.com

- NOTES:
- MATERIALS AND FINISHES (PLATING THICKNESS IN MICRO-INCHES):
 BODY - STAINLESS STEEL, PASSIVATED
 CONTACT - BERYLLIUM COPPER, GOLD PLATING
 INSULATORS - PTFE, NATURAL
 - ELECTRICAL:
 A. IMPEDANCE: 50 OHM
 B. FREQUENCY RANGE: DC-18 GHz
 - MECHANICAL:
 A. DURABILITY: 500 CYCLES, MIN.
 B. TEMPERATURE RANGE: -40° C TO +155° C
 - PACKAGING:
 A. QUANTITY: SINGLE PACK
 B. MARKING: BAG TO BE MARKED
 "AMPHENOL, 901-9814, AND DATE CODE"

THIRD ANGLE PROJ.		REVISIONS			
REV	DESCRIPTION	DATE	ECO	APPR	
A	RELEASE TO MFG.	8/21/91	38439	FSH	
B	REDRAWN PRO-E; DEL NOTE 2 & 3; ADD SHT 2	1/9/03	44321	CPM	
C	UPDATE TO GLOBAL FORMAT	27-Oct-11	48672	SH	



SCALE 3.000



CUSTOMER OUTLINE DRAWING
 ALL OTHER SHEETS ARE FOR INTERNAL USE ONLY

UNLESS OTHERWISE SPECIFIED, DIMENSIONS ARE IN METRIC AND TOLERANCES ARE: <0.5mm ±0.05mm 0.5 - 6mm ±0.1mm 6 - 30mm ±0.2mm 30 - 120mm ±0.3mm ANGLES ±1° NOTICE - These drawings, specifications, or other data (1) are, and remain the property of Amphenol Corp. (2) must be returned upon request; and (3) are confidential and not to be disclosed to any person other than those to whom they are given by Amphenol Corp. The furnishing of these drawings, specifications, or other data by Amphenol Corp., or to any other person for any purpose is not to be regarded by implication or otherwise in any manner licensing, granting rights to permitting such holder or any other person to manufacture, use or sell any product, process or design, patented or otherwise, that may in any way be related to or disclosed by said drawings, specifications, or other data.	MATERIAL REFERENCE EAR 9614182 MOTOROLA 615X-1034-200 GEN# AS51F6Z-SMA FINISH	DRAWN J. JING	DATE 08-Jul-11	TITLE SMA PANEL JACK	Amphenol RF www.amphenolrf.com
		ENGINEER O. BARTHELMES	DATE 08-Jul-11		
		CAD FILE 1: SMA1901-9814	DWG SIZE B	SHEET 2 OF 2	REV C
				SCALE: 6.0:1.0	DRAWING NO. 901-9814 ITEM NO. 901-9814 PART NO. 901-9814