



## **Excellent Integrated System Limited**

Stocking Distributor

Click to view price, real time Inventory, Delivery & Lifecycle Information:

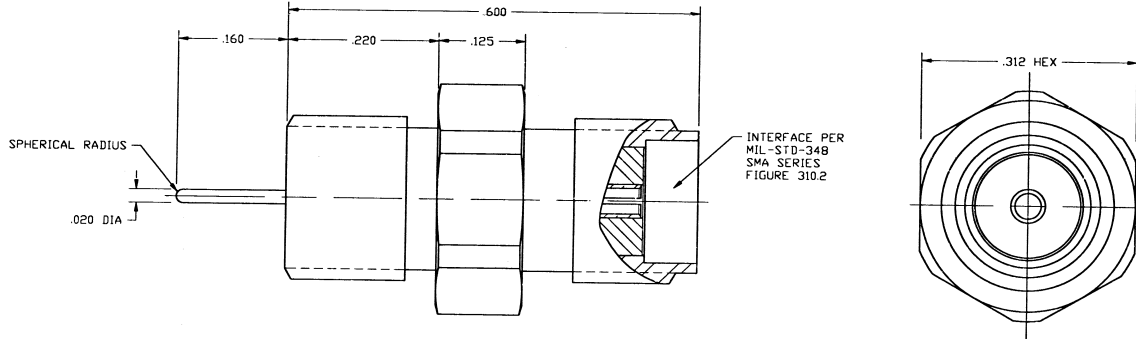
[Amphenol RF](#)  
[901-9909](#)

For any questions, you can email us directly:

[sales@integrated-circuit.com](mailto:sales@integrated-circuit.com)

NOTES:  
 1. DO NOT SCALE THIS DRAWING.  
 2. PLATING MUST CONFORM TO AMPHENOL SPEC 349-50560. CONTACT IS GOLD PLATED, BODY IS PASSIVATED.

901-9909		REVISIONS			
DRAWING NO.	REV	DESCRIPTION	DATE	ECO	APPR.
THIRD ANGLE PROJ.	A	OFFICIAL ENG. RELEASE TO MFG.	9-12-95	40948	PB/RW
	B	.125 WAS .100	9-21-95	40967	PB/RW
	C	SEE SHEET ONE	11-2-95	41009	CPM/BJ



CUSTOMER DRAWING

UNLESS OTHERWISE SPECIFIED, DIMENSIONS ARE IN INCHES AND TOLERANCES ARE: 2 PLACE DECIMAL ± .015 (0.381 mm) 3 PLACE DECIMAL ± .005 (0.127 mm) ANGLES ± 1°	MATERIAL	DRAWN	DATE	TITLE	<b>Amphenol</b> Amphenol Corporation RF/Microwave Operations Danbury, Conn. U.S.A. 06810			
	NOTICE - These drawings, specifications, or other data (1) are, and remain the property of Amphenol Corp. (2) must be returned upon request; and (3) are confidential and not to be disclosed to any person other than those to whom they are given by Amphenol Corp. The furnishing of these drawings, specifications, or other data by Amphenol Corp. or to any other person to anyone for any purpose is not to be regarded by implication or otherwise in any manner licensing, granting rights or permitting such holder or any other person to manufacture, use or sell any product, process or design, patented or otherwise, that may in any way be related to or disclosed by said drawings, specifications, or other data.	REFERENCE EAR 111-964936 3 WATKINS-JOHNSON 444325SK-001 615X-1401-100	P. BRENZEL ENGINEER			9-7-95	SMA RECEPTACLE FRONT MOUNT	
		APPROVED R. VACCARD	9-11-95	CODE ID 74868	DWG SIZE B	DRAWING NO. 901-9909	SCALE: B:1 SHEET 2 OF 2	ISSUE C