

## **Excellent Integrated System Limited**

Stocking Distributor

Click to view price, real time Inventory, Delivery & Lifecycle Information:

[Amphenol RF](#)  
[903-585J-71A](#)

For any questions, you can email us directly:  
[sales@integrated-circuit.com](mailto:sales@integrated-circuit.com)

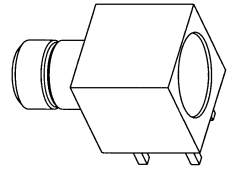
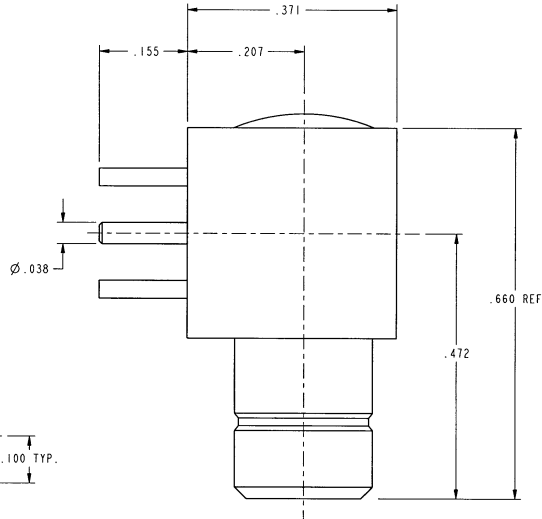
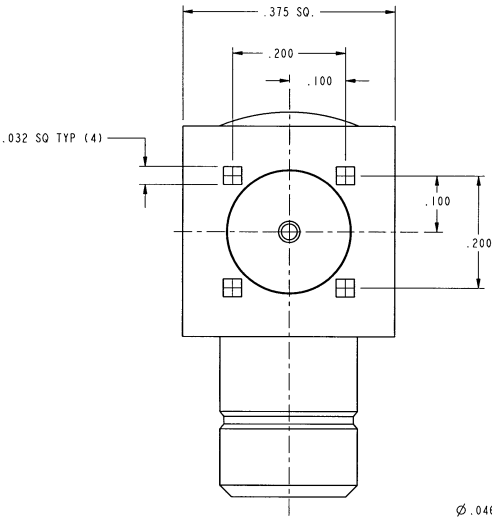


**Distributor of Amphenol RF: Excellent Integrated System Limited**  
 Datasheet of 903-585J-71A - 75 OHM SMB ANGLE JACK PC MOUNT

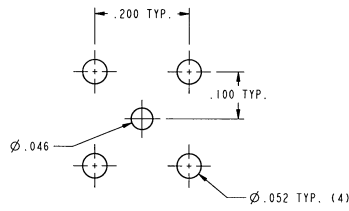
NOTES:

- DO NOT SCALE DRAWING.
- MATERIALS AND FINISHES:  
 BODY & CAP = BRASS, NICKEL PLATED.  
 CONTACT = BRASS, GOLD PLATED.  
 INSULATORS = PTFE FLUOROCARBON

| 903-585J-71A      |     | REVISIONS       |         |       |       |
|-------------------|-----|-----------------|---------|-------|-------|
| DRAWING NO.       | REV | DESCRIPTION     | DATE    | ECO   | APPR  |
| THIRD ANGLE PROJ. | A   | RELEASE TO MFG. | 1/13/00 | 43218 | PB/TA |
|                   | B   | SEE SHEET I     | 2/8/00  | 43253 | CPM   |
|                   | C   | SEE SHEET I     | 4/13/00 | 43295 | PB/TA |



SCALE 3.000



RECOMMENDED  
 PCB FOOTPRINT  
 SCALE 5.000

CUSTOMER OUTLINE DRAWING  
FOR REFERENCE ONLY

|   |   |                                 |                  |   |   |
|---|---|---------------------------------|------------------|---|---|
| UNLESS OTHERWISE SPECIFIED, DIMENSIONS ARE IN INCHES AND TOLERANCES ARE:<br>2 PLACE DECIMAL 3 PLACE DECIMAL ANGLES<br>$\pm .015$ (0,381 mm) $\pm .005$ (0,127 mm) $\pm 1^\circ$   | MATERIAL<br><br>REFERENCE<br>EAR 102-967368-1<br>615X-1554-100<br>GEN# ASSYF7.SMB | DRAWN<br>P. BRENZEL             | DATE<br>12/22/99 | TITLE<br>75 OHM SMB<br>ANGLE JACK<br>PC MOUNT | <b>Amphenol</b><br>Amphenol Corporation<br>Communication and Network<br>Products Division<br>Danbury, CT U.S.A. 06810 |
|   |   | ENGINEER<br>P. BRENZEL          | DATE<br>12/22/99 |   |   |
| NOTICE - These drawings, specifications, or other data (1) are, and remain the property of Amphenol Corp. (2) must be returned upon request; and (3) are confidential and not to be disclosed to any person other than those to whom they are given by Amphenol Corp. The furnishing of these drawings, specifications, or other data by Amphenol Corp., or to any other person to anyone for any purpose is not to be regarded by implication or otherwise in any manner licensing, granting rights or permitting such holder or any other person to manufacture, use or sell any product, process or design, patented or otherwise, that may in any way be related to or disclosed by said drawings, specifications, or other data. |   | APPROVED<br>T. AUBIN            | DATE<br>1/12/00  | SCALE: 6.0:1 SHEET 2 OF 2                     |   |
|   |   | CAD FILE<br>I:\SMB\903-585J-71A | CODE ID<br>74868 | DWG SIZE<br>B                                 | DRAWING NO.<br>903-585J-71A   |
|   |   |                                 |                  | REV<br>C                                      |   |