



Excellent Integrated System Limited

Stocking Distributor

Click to view price, real time Inventory, Delivery & Lifecycle Information:

[Amphenol RE](#)
[903-723J-51S](#)

For any questions, you can email us directly:

sales@integrated-circuit.com

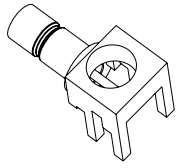
NOTES: FINISH (PLATING THICKNESS IN MICRO-INCHES)

1. MATERIALS AND FINISHES:
 BODY - ZINC DIECAST, BRIGHT ACID TIN PLATING
 CONTACT - BRASS, GOLD PLATING
 INSULATOR - PTFE
2. ELECTRICAL:
 A. IMPEDANCE: 50 OHM
 B. FREQUENCY RANGE: DC - 2.4 GHz
 C. VSWR(RETURN LOSS): 1.06 (30 dB), MAX.
 D. DIELECTRIC WITHSTANDING VOLTAGE: 750 VRMS, MIN.
3. MECHANICAL:
 A. DURABILITY: 100 CYCLES, MIN.
 B. TEMPERATURE RANGE: -65° C TO +165° C

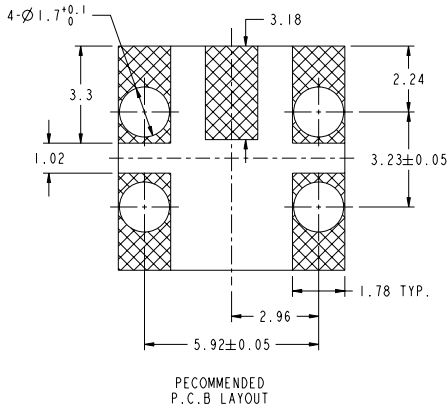
THIRD ANGLE PROJ.

REVISIONS

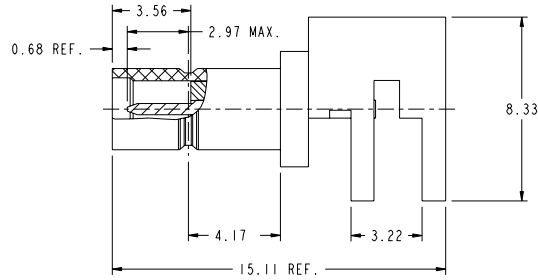
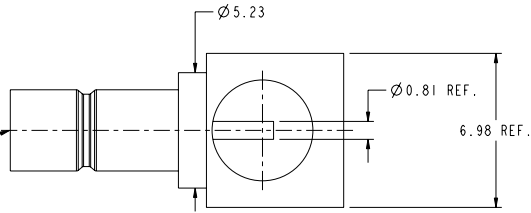
REV	DESCRIPTION	DATE	ECO	APPR
C1	SEE SHEET 1	09-12-08*		KATE
D	SEE SHEET 1	25-May-10	48074	SCOTT



SCALE 3.000



INTERFACE PER MIL-STD-348 SMB SERIES



CUSTOMER OUTLINE DRAWING
 ALL OTHER SHEETS ARE FOR INTERNAL USE ONLY

UNLESS OTHERWISE SPECIFIED, DIMENSIONS ARE IN METRIC AND TOLERANCES ARE: 0.5 - 5mm ±0.1mm 6 - 30mm ±0.2mm 30 - 120mm ±0.3mm ANGLES ±1°	MATERIAL	DRAWN L.L.I	DATE 24-May-10	TITLE SMB TO PCB			Amphenol RF Danbury CT USA, Tainan, Taiwan, Shenzhen, China www.amphenolrf.com			
	REFERENCE	ENGINEER C.ISSY	DATE 09-12-08*	SCALE: 6.0:1.0	SHEET 2 OF 2	DRAWING NO. 903-723J-51S				
	FINISH	APPROVED S.HSIEH	DATE 24-May-10	DWG SIZE B	CODE ID 74868	REV D	ITEM NO. 903-723J-51S			
		CAD FILE I:\SMB\903-723J-51S					PART NO. 903-723J-51S			

NOTICE - These drawings, specifications, or other data (1) are, and remain the property of Amphenol Corp. (2) must be returned upon request; and (3) are confidential and not to be disclosed to any person other than those to whom they are given by Amphenol Corp. the furnishing of these drawings, specifications, or other data by Amphenol Corp., or to any other person to anyone for any purpose is not to be regarded by implications or otherwise in any manner licensing, granting rights to permitting such holder or any other person to manufacture, use or sell any product, process or design, patented or otherwise, that may in any way be related to or disclosed by said drawings, specifications, or other data.