

Excellent Integrated System Limited

Stocking Distributor

Click to view price, real time Inventory, Delivery & Lifecycle Information:

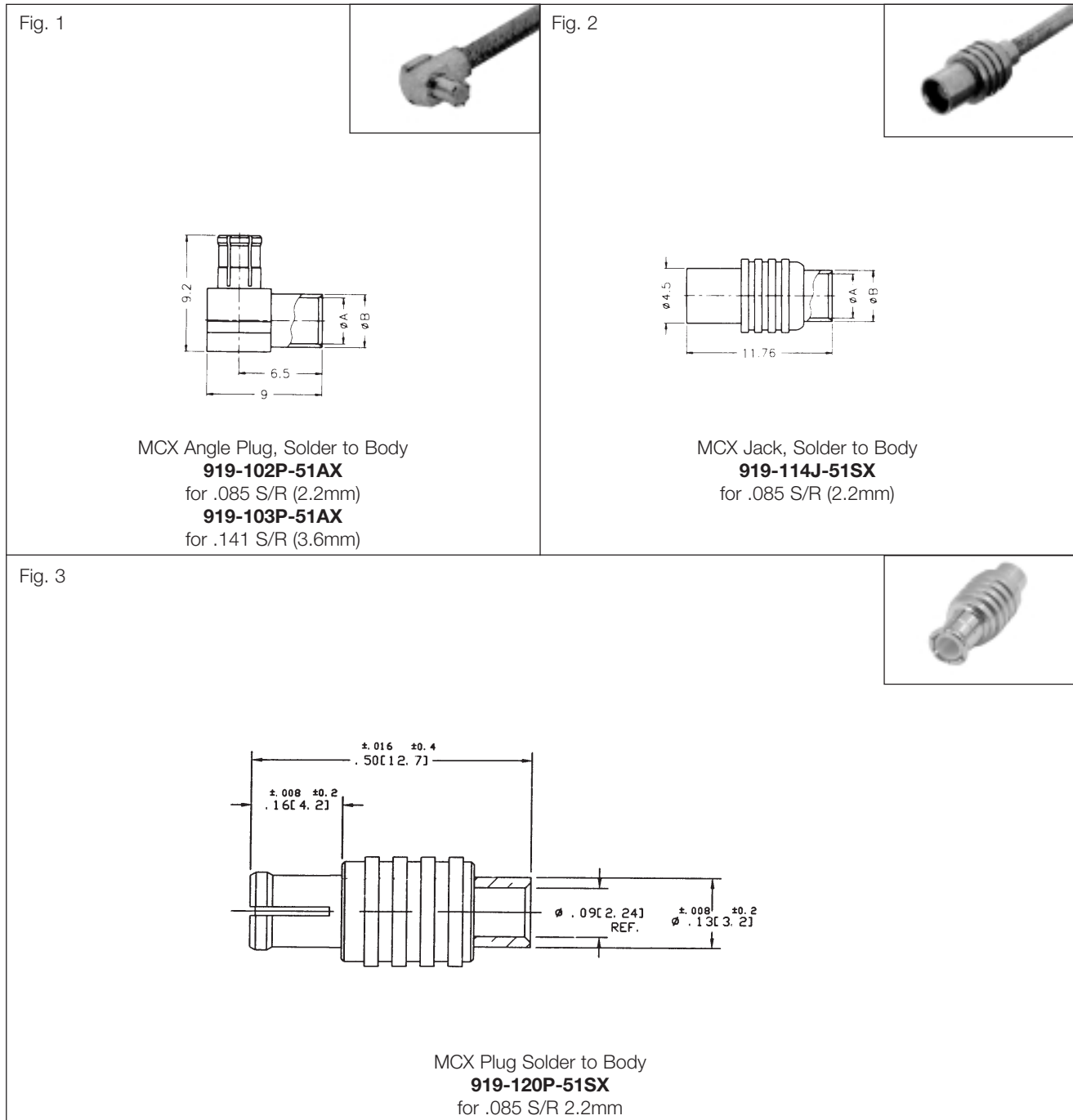
[Amphenol RF](#)
[919-103P-51AX](#)

For any questions, you can email us directly:

sales@integrated-circuit.com

MCX 50 Ohm For Semi-Rigid Cable and PCB

Amphenol®



50 OHM MCX SEMI-RIGID CABLE CONNECTORS

Cable RG-/U	Cable Attachment		CAI	Plt.	Ins.	Construction Notes	Amphenol Number	Fig.
	Outer	Inner						
.085 Semi-Rigid	Solder	Solder	C76	P11	D1	Gold Plated	919-102P-51AX	1
.085 Semi-Rigid	Solder	Solder	C75	P11	D1	Gold Plated	919-114J-51SX	2
.085 Semi-Rigid	Solder	Solder	C75	P11	D1	Gold Plated	919-120P-51SX	3
.141 Semi-Rigid	Solder	Solder	C76	P11	D1	Gold Plated	919-103P-51AX	1