

Excellent Integrated System Limited

Stocking Distributor

Click to view price, real time Inventory, Delivery & Lifecycle Information:

[Amphenol RE](#)
[920-160J-51P](#)

For any questions, you can email us directly:

sales@integrated-circuit.com

NOTES:

1. MATERIALS AND FINISHES:

BODY : BRASS
 CONTACT : BERYLLIUM COPPER : GOLD PLATED (.00010" MIN.)
 INSULATOR : PTFE

2. PHYSICAL:

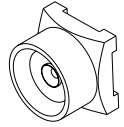
A. OPERATING TEMPERATURE : -65°C to +165°C
 B. DURABILITY : 100 MATING CYCLES MINIMUM
 C. INTERFACE : PROPRIETARY AFI INTERFACE
 D. RADIAL FLOAT : ± .015

3. ELECTRICAL:

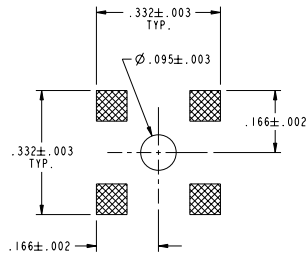
A. IMPEDANCE : 50 OHMS, NOMINAL
 B. FREQUENCY RANGE : DC TO 6.0 GHz
 C. RETURN LOSS : 25 dB MINIMUM

4. APPLICATION: SEE 349-50722 FOR ADDITIONAL INFORMATION REGARDING RECOMMENDED APPLICATION CONFIGURATION DETAILS.

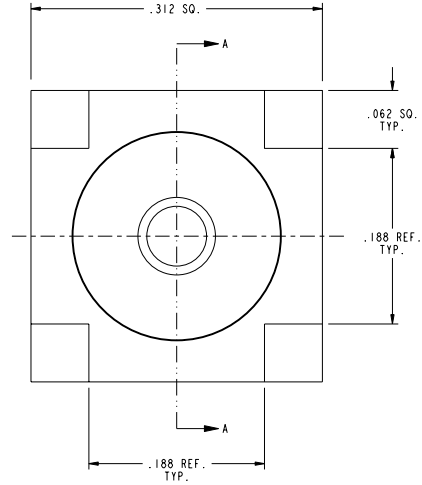
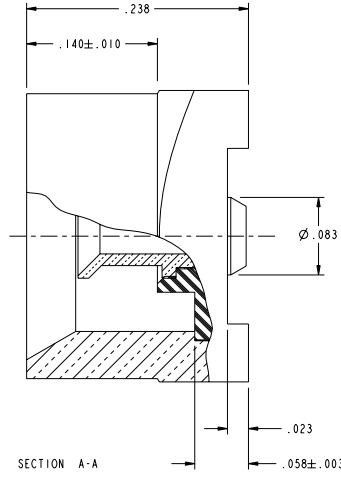
920-160J-51P		REVISIONS			
DRAWING NO.	REV	DESCRIPTION	DATE	ECO	APPR
THIRD ANGLE PROJ.	A	RELEASE TO MFG.	8/26/04	45111	BCG
	B	CHGD NOTE 3B TO REFLECT FREQ. RANGE TO : DC-6 GHz	12/5/05	45833	HP



SCALE 3.000



RECOMMENDED PCB LAYOUT
SCALE 5.000



CUSTOMER OUTLINE DRAWING
ALL OTHER SHEETS ARE FOR INTERNAL USE ONLY

UNLESS OTHERWISE SPECIFIED, DIMENSIONS ARE IN INCHES AND TOLERANCES ARE:
 2 PLACE DECIMAL ±.015 (0.381 mm) 3 PLACE DECIMAL ±.005 (0.127 mm) ANGLES ± 1°

NOTICE - These drawings, specifications, or other data (1) are, and remain the property of Amphenol Corp. (2) must be returned upon request; and (3) are confidential and not to be disclosed to any person other than those to whom they are given by Amphenol Corp. The furnishing of these drawings, specifications, or other data by Amphenol Corp., or to any other person to anyone for any purpose is not to be regarded by implication or otherwise in any manner licensing, granting rights or permitting such holder or any other person to manufacture, use or sell any product, process or design, patented or otherwise, that may in any way be related to or disclosed by said drawings, specifications, or other data.

MATERIAL	DRAWN	DATE	TITLE	Amphenol RF Danbury, CT, USA Tainan, Taiwan Shenzhen, China www.amphenolrf.com
	B.C. GLEISSNER	11-Aug-04		
REFERENCE	ENGINEER	DATE	AFI-50 JACK, SURFACE MOUNT, SMOOTH BORE	SCALE: 10.0:1
	B.C. GLEISSNER	17-Jan-03		SHEET 2 OF 2
EAR# 837 GEN# ASSYF17.AFI	APPROVED	DATE	CODE ID 74868 DWG SIZE B DRAWING NO. 920-160J-51P	REV B
	O. BARTHELMES	8/26/04		CAD FILE 1:\AFI\920-160J-51P