

Excellent Integrated System Limited

Stocking Distributor

Click to view price, real time Inventory, Delivery & Lifecycle Information:

[Amphenol RE](#)
[930-163J-51P](#)

For any questions, you can email us directly:

sales@integrated-circuit.com

NOTES:

1. DO NOT SCALE THIS DRAWING.
2. MATERIALS AND FINISHES:
 BODY - BRASS, GOLD PLATING.
 CONTACT - BeCu, GOLD PLATING.
 INSULATOR - PTFE, NATURAL.
 HEX NUT - BRASS, GOLD PLATING.
3. ELECTRICAL:
 A. IMPEDANCE: 50 OHM
 B. FREQUENCY RANGE: DC - 6 GHz
 C. VSWR(RETURN LOSS): 1.15 MAX.
 (SINGLE CONNECTOR TERMINATED, NO PCB LAUNCH INCLUDED)
4. PHYSICAL:
 A. DURABILITY: 100 CYCLES MIN.
 B. TEMPERATURE RANGE: -40°C - +80°C
5. PACKAGING:
 A. QUANTITY: SINGLE PACK
 B. MARKING: BAG TO BE MARKED
 "AMPHENOL, 930-163J-51P, AND DATE CODE"

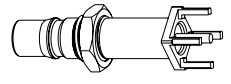
THIRD ANGLE PROJ.

REVISIONS

REV	DESCRIPTION	DATE	ECO	APPR
A	RELEASED TO MFG.	2/7/08	46957	NMV
B	SEE SHEET 1	3/5/08	46978	MY
C	SYNC DRAWING WITH DANBURY /RD-DM15072801S7	04-Aug-15	50644	DD

5 x $\varnothing 1.65 \pm 0.05$
 $[.065 \pm .002]$

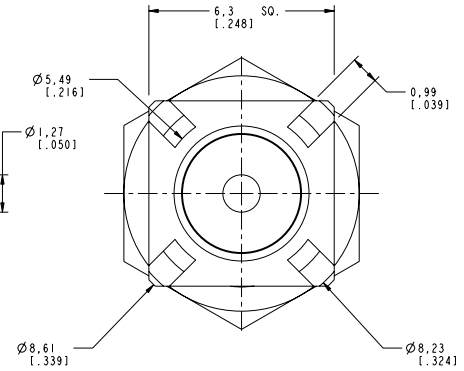
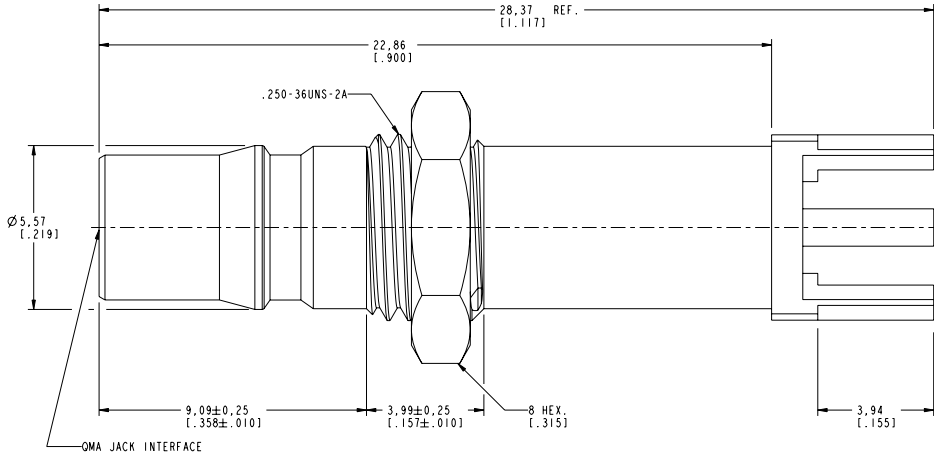
5.08 \pm 0.05
 $[.200 \pm .002]$



SCALE 2.000

RECOMMENDED PANEL CUTOUT

SCALE 4.000



CUSTOMER OUTLINE DRAWING
 ALL OTHER SHEETS ARE FOR INTERNAL USE ONLY

UNLESS OTHERWISE SPECIFIED, DIMENSIONS ARE IN METRIC AND TOLERANCES ARE: $\pm 0.5mm$ $0.5 - 6mm$ $6 - 30mm$ $30 - 120mm$ ANGLES $\pm 0.05mm$ $\pm 0.1mm$ $\pm 0.2mm$ $\pm 0.3mm$ \pm	MATERIAL	DRAWN STAR	DATE 04-Aug-15	TITLE QMA JACK PC MOUNT RECEPTACLE	Amphenol RF www.amphenolrf.com	
	NOTICE - These drawings, specifications, or other data (1) are, and remain the property of Amphenol Corp. (2) must be returned upon request; and (3) are confidential and not to be disclosed to any person other than those to whom they are given by Amphenol Corp. The furnishing of these drawings, specifications, or other data by Amphenol Corp., or to any other person to anyone for any purpose is not to be regarded by implication or otherwise in any manner licensing, granting rights to permitting such holder or any other person to manufacture, use or sell any product, process or design, patented or otherwise, that may in any way be related to or disclosed by said drawings, specifications, or other data.	REFERENCE EAR # 2026 AND CONFIGURATION LEVEL: In Work	ENGINEER M. YU			DATE 03-Mar-06
	FINISH	APPROVED HARRY	DATE 04-Aug-15	DWG SIZE B	REV C	ITEM NO. 930-163J-51P PART NO. 930-163J-51P
		CAD FILE I:\QMA\930-163J-51P				