

## **Excellent Integrated System Limited**

Stocking Distributor

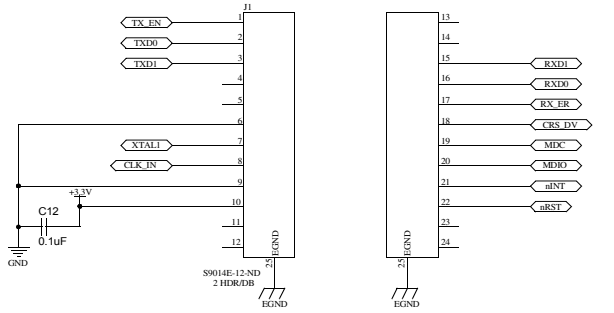
Click to view price, real time Inventory, Delivery & Lifecycle Information:

[Microchip Technology](#)  
[AC320004-3](#)

For any questions, you can email us directly:

[sales@integrated-circuit.com](mailto:sales@integrated-circuit.com)

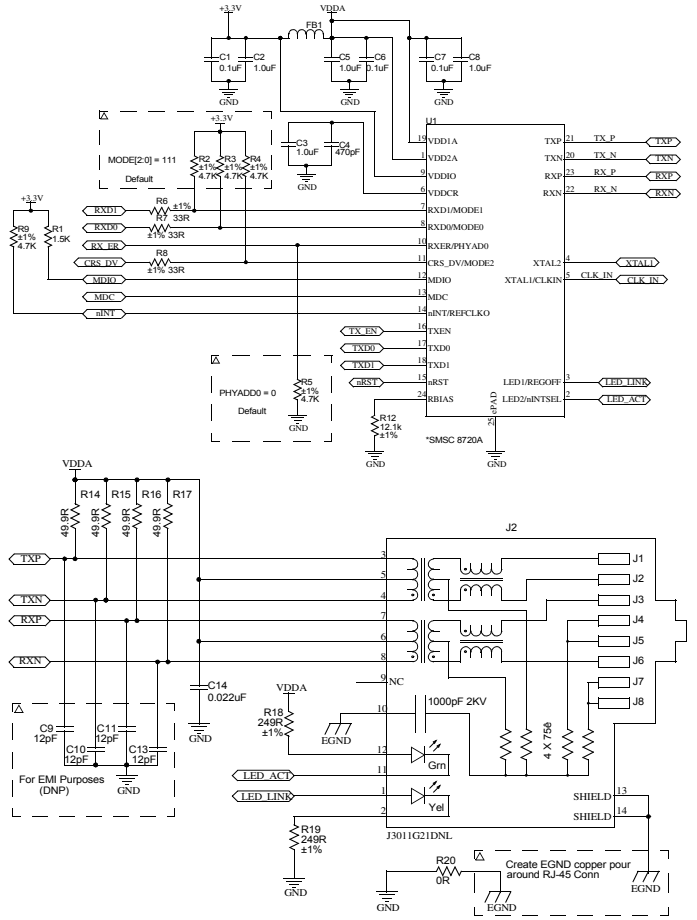
Schematics (Continued)



SMSC LAN8720 PHY Daughter Board Information Sheet

The SMSC LAN8720 PHY Daughter Board (AC320004-3) enables Ethernet communication with a variety of Microchip starter kits. For more information, please visit: <http://www.microchip.com>. From the Design Support menu, then click **Development Tools**. Then, from the starter kit's menu, click **MPLAB® Starter Kit**, and then select the desired starter kit.

Schematics



Americas

- Atlanta - 678-957-9614
- Boston - 774-760-0087
- Chicago - 630-285-0071
- Cleveland - 216-447-0464
- Dallas - 972-818-7423
- Detroit - 248-538-2250
- Indianapolis - 317-773-8323
- Los Angeles - 949-462-9523
- Phoenix - 480-792-7200
- Santa Clara - 408-961-6444
- Toronto - 905-673-0699

Europe

- Austria - Wels - 43-7242-2244-39
- Denmark - Copenhagen - 45-4450-2828
- France - Paris - 33-1-69-53-63-20
- Germany - Munich - 49-89-627-144-0
- Italy - Milan - 39-0331-742611
- Netherlands - Drunen - 31-416-690399
- Spain - Madrid - 34-91-708-08-90
- UK - Wokingham - 44-118-921-5869

Asia/Pacific

- Australia - Sydney - 61-2-9868-6733
- China - Beijing - 86-10-8569-2100
- China - Chengdu - 86-28-8665-5511
- China - Chongqing - 86-23-8980-9588

Asia/Pacific (Continued)

- China - Hangzhou - 86-571-2819-3187
- China - Hong Kong SAR - 852-2943-5100
- China - Nanjing - 86-25-8473-2460
- China - Qingdao - 86-532-8502-7355
- China - Shanghai - 86-21-5407-5533
- China - Shenyang - 86-24-2334-2829
- China - Shenzhen - 86-755-8864-2200
- China - Wuhan - 86-27-5980-5300
- China - Xiamen - 86-592-2388138
- China - Xian - 86-29-8833-7252
- China - Zhuhai - 86-756-3210040
- India - Bangalore - 91-80-3090-4444
- India - New Delhi - 91-11-4160-8631
- India - Pune - 91-20-3019-1500
- Japan - Osaka - 81-6-6152-7160
- Japan - Tokyo - 81-3-6880-3770
- Korea - Daegu - 82-53-744-4301
- Korea - Seoul - 82-2-554-7200
- Malaysia - Kuala Lumpur - 60-3-6201-9857
- Malaysia - Penang - 60-4-227-8870
- Philippines - Manila - 63-2-634-9065
- Singapore - 65-6334-8870
- Taiwan - Hsin Chu - 886-3-5778-366
- Taiwan - Kaohsiung - 886-7-213-7828
- Taiwan - Taipei - 886-2-2508-8600
- Thailand - Bangkok - 66-2-694-1351

08/20/13



MICROCHIP

Microchip Technology Inc. • 2355 West Chandler Blvd. • Chandler, AZ 85224-6199

[www.microchip.com](http://www.microchip.com)

The Microchip name and logo, the Microchip logo, and MPLAB are registered trademarks of Microchip Technology Incorporated in the U.S.A. and other countries. All other trademarks mentioned herein are property of their respective companies. © 2013, Microchip Technology Incorporated, Printed in the U.S.A. All Rights Reserved. 10/13

DS50002211A

