

Excellent Integrated System Limited

Stocking Distributor

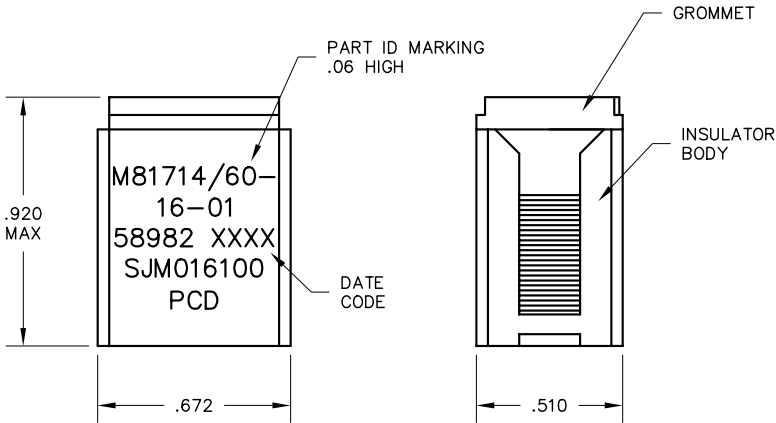
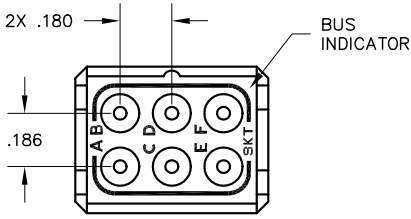
Click to view price, real time Inventory, Delivery & Lifecycle Information:

[Amphenol Pcd](#)
[SJM016101](#)

For any questions, you can email us directly:

sales@integrated-circuit.com

REV	ECN	APP'D
H	3963	JC 4/25/00
J	4127	



- NOTES:
- MATERIALS:
 BODY: POLYETHERIMIDE PER MIL-P-46184.
 GROMMET: SILICONE BLEND ELASTOMER.
 CONTACT RETAINERS: BERYLLIUM COPPER.
 INTERNAL PIN CONTACTS: COPPER ALLOY, HARD GOLD PLATE PER MIL-G-45204.
 - PERFORMANCE SPECIFICATIONS:
 OPERATING TEMP: -65° TO 200°C
 INSULATION RESISTANCE: 5000 MEGOHMS MIN @ 25°C
 DIELECTRIC WITHSTANDING VOLTAGE:
 1500 VRMS AT SEA LEVEL
 AND 200 VRMS AT 110,000 FT. ALTITUDE.
 CURRENT RATING: 13 AMPS
 VIBRATION AND SHOCK: PER MIL-T-81714, PARAGRAPH 3.5.5 AND 3.5.8.
 - MODULE SUPPLIED WITH SEVEN (7) M39029/22-193 SOCKET CONTACTS AND TWO (2) MS27488-16 SEALING PLUGS.

DIMENSIONS ANSI Y14.5M UNITS: INCHES ACAD FILE	TOLERANCES .XX ± .XXX ±.010 ANGLES ±2°	PROJECTION 	SPECIFICATION DRAWING			<i>TITLE</i> SOCKET JUNCTION MODULE SIZE 16 - 1-BUS M81714/60-16-01		
			<i>ENGR</i> A. PATRIE 4/19/00			<i>SIZE</i> A	<i>DWG NO.</i> SJM016100	<i>REV</i> J
ORIGINAL	THIS DOCUMENT CONTAINS PROPRIETARY INFORMATION WHICH IS THE CONFIDENTIAL PROPERTY OF PCD, INC. PEABODY, MA, USA			<i>CHKD</i> J. TON 4/24/00	CODE: 58982		SCALE: 2:1	SHEET 1 OF 1
			<i>APPD</i> J. CAHALY 4/25/00					