



## **Excellent Integrated System Limited**

Stocking Distributor

Click to view price, real time Inventory, Delivery & Lifecycle Information:

[Texas Instruments](#)  
[PT8101A](#)

For any questions, you can email us directly:

[sales@integrated-circuit.com](mailto:sales@integrated-circuit.com)

## PT8100 Series

40-A 3.3/5-V Input Programmable Integrated Switching Regulator



SLTS157A

(Revised 8/23/2002)



### Features

- 40ADC Output Current
- +3.3V or +5V Input
- Low Output Voltages: 0.8V—2.7V
- High Efficiency
- Programmable Output: (VRM Compatible 5-bit Codes)
- Multiphase Topology
- Output Remote Sense
- Short-Circuit Protection
- Thermal Shutdown
- Standby On/Off Control
- Space-Saving Package
- Solderable Copper Case

### Description

The PT8100 Excalibur™ power modules are a family of high-output, high-efficiency, fully integrated switching regulators (ISRs), housed in a solderable 31-pin space-saving copper package. Modules are available for operation from either a 3.3V or 5V nominal input bus voltage. Each provides up to 40A of output current at output voltages as low as 0.8V. The output voltage is programmable via a 5-bit input code.

The PT8100 series incorporates a state-of-the-art, 2-phase, multiple power path topology. This extends the output current range while providing superior transient response

and input current ripple performance. The modules are designed for high-end computing and signal processing applications, both of which demand high output currents at low supply voltages.

The modules have a number of standard features to facilitate system integration. These include short-circuit protection, thermal shutdown, standby (On/Off) control, and an output remote sense to compensate for voltage drop between the regulator and the load. In addition, the voltage programming codes are compatible with Intel's® VRM specifications.

### Ordering Information

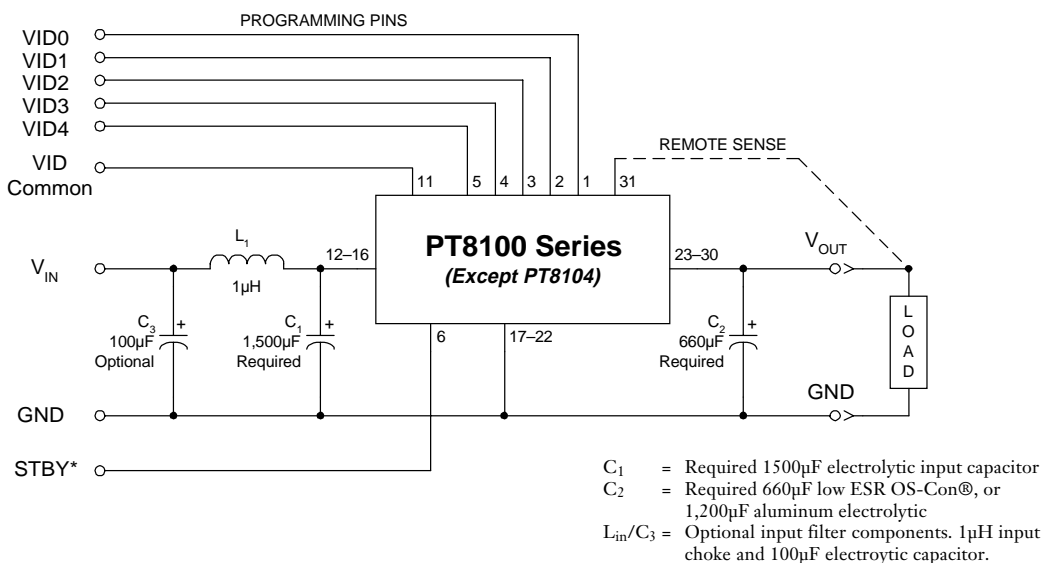
Part No.	Output Voltage Program Range	Input Bus
PT8101□	=1.300 to 2.70V	5V
PT8102□	=1.075 to 1.85V	5V
PT8103□	=1.075 to 1.85V	3.3V
PT8104□	=1.050 to 1.825V	5V
PT8105□	=0.800 to 1.575V	3.3V

### PT Series Suffix (PT1234x)

Case/Pin Configuration	Order Suffix	Package Code
Vertical	<b>N</b>	(EKH)
Horizontal	<b>A</b>	(EKF)
SMD	<b>C</b>	(EKG)

(Reference the applicable package code drawing for the dimensions and PC board layout)

### Standard Application (See p.3 for PT8104 application schematic)



## PT8100 Series

### 40-A 3.3/5-V Input Programmable Integrated Switching Regulator

#### Pin-Out Information (Except PT8104 –see p.3)

Pin Function	Pin Function	Pin Function
1 VID 0	12 V <sub>in</sub>	22 GND
2 VID 1	13 V <sub>in</sub>	23 V <sub>out</sub>
3 VID 2	14 V <sub>in</sub>	24 V <sub>out</sub>
4 VID 3	15 V <sub>in</sub>	25 V <sub>out</sub>
5 VID 4	16 V <sub>in</sub>	26 V <sub>out</sub>
6 STBY*	17 GND	27 V <sub>out</sub>
7 Do Not Connect	18 GND	28 V <sub>out</sub>
8 Do Not Connect	19 GND	29 V <sub>out</sub>
9 Do Not Connect	20 GND	30 V <sub>out</sub>
10 Do Not Connect	21 GND	31 Remote Sense
11 VID Common		

\* For STBY pin:  
 Open =Output Enabled  
 VID Common =Output Disabled

#### Voltage Programming Information (Except PT8104 –see p.3)

VID 3	VID 2	VID 1	VID 0	PT8101 (VRM 8.4)		PT8102/8103 (VRM 9.1)		PT8105 (Custom Code)	
				VID 4=1 Vout <sup>(iv)</sup>	VID 4=0 Vout	VID 4=1 Vout	VID 4=0 Vout	VID 4=1 Vout	VID 4=0 Vout
1	1	1	1	2.00	1.30V	1.075V	1.475V	0.800V	1.200V
1	1	1	0	2.10	1.35V	1.100V	1.500V	0.825V	1.225V
1	1	0	1	2.30	1.40V	1.125V	1.525V	0.850V	1.250V
1	1	0	0	2.40	1.45V	1.150V	1.550V	0.875V	1.275V
1	0	1	1	2.50	1.50V	1.175V	1.575V	0.900V	1.300V
1	0	1	0	2.60	1.55V	1.200V	1.600V	0.925V	1.325V
1	0	0	1	2.70	1.60V	1.225V	1.625V	0.950V	1.350V
1	0	0	0	N/A	1.65V	1.250V	1.650V	0.975V	1.375V
0	1	1	1	N/A	1.70V	1.275V	1.675V	1.000V	1.400V
0	1	1	0	N/A	1.75V	1.300V	1.700V	1.025V	1.425V
0	1	0	1	N/A	1.80V	1.325V	1.725V	1.050V	1.450V
0	1	0	0	N/A	1.85V	1.350V	1.750V	1.075V	1.475V
0	0	1	1	N/A	1.90V	1.375V	1.775V	1.100V	1.500V
0	0	1	0	N/A	1.95V	1.400V	1.800V	1.125V	1.525V
0	0	0	1	N/A	2.00V	1.425V	1.825V	1.150V	1.550V
0	0	0	0	N/A	2.05V	1.450V	1.850V	1.175V	1.575V

#### Notes:

- i) Logic 0 = Connect to VID Common
- ii) Logic 1 = Open circuit (no pull-up resistors)
- iii) VID3 and VID4 may not be changed while the unit is operating.
- iv) The output voltage of the PT8101 must not be set higher than 2.7V.

## PT8100 Series

### 40-A 3.3/5-V Input Programmable Integrated Switching Regulator

#### Pin-Out Information (PT8104 only)

Pin	Function	Pin	Function
1	VID 25mV	17	GND
2	VID 0	18	GND
3	VID 1	19	GND
4	VID 2	20	GND
5	VID 3	21	GND
6	STBY	22	GND
7	Do Not Connect	23	V <sub>out</sub>
8	Do Not Connect	24	V <sub>out</sub>
9	Do Not Connect	25	V <sub>out</sub>
10	Do Not Connect	26	V <sub>out</sub>
11	VID Common	27	V <sub>out</sub>
12	V <sub>in</sub>	28	V <sub>out</sub>
13	V <sub>in</sub>	29	V <sub>out</sub>
14	V <sub>in</sub>	30	V <sub>out</sub>
15	V <sub>in</sub>	31	Remote Sense
16	V <sub>in</sub>		

\* For STBY pin:  
 Open = Output Enabled  
 VID Common = Output Disabled

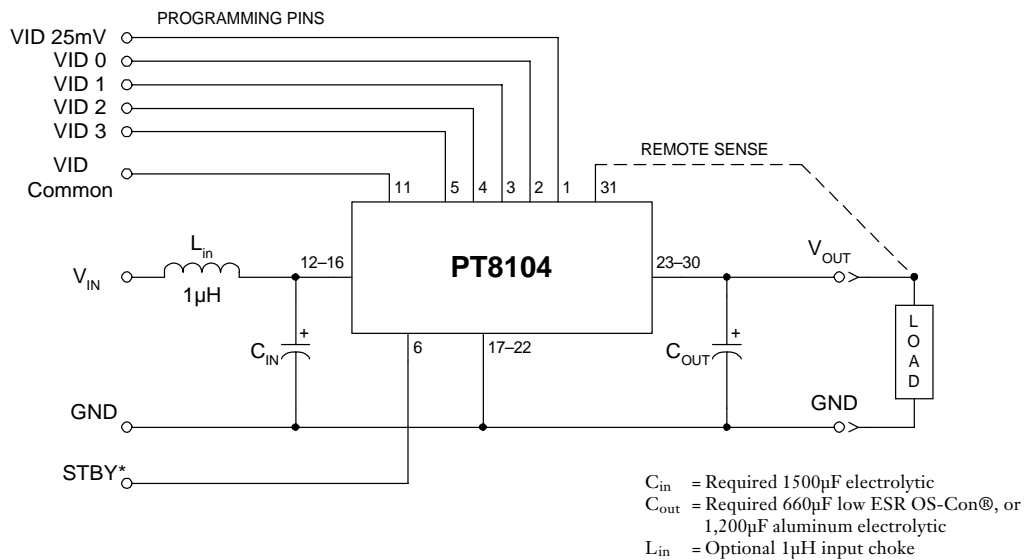
#### Voltage Programming Information (PT8104 only)

				PT8104 (VRM 8.5)	
				VID 25mV=0 V <sub>out</sub>	VID 25mV=1 V <sub>out</sub>
VID 3	VID 2	VID 1	VID 0		
1	1	1	1	1.300V	1.325V
1	1	1	0	1.350V	1.375V
1	1	0	1	1.400V	1.425V
1	1	0	0	1.450V	1.475V
1	0	1	1	1.500V	1.525V
1	0	1	0	1.550V	1.575V
1	0	0	1	1.600V	1.625V
1	0	0	0	1.650V	1.675V
0	1	1	1	1.700V	1.725V
0	1	1	0	1.750V	1.775V
0	1	0	1	1.800V	1.825V
0	1	0	0	1.050V	1.075V
0	0	1	1	1.100V	1.125V
0	0	1	0	1.150V	1.175V
0	0	0	1	1.200V	1.225V
0	0	0	0	1.250V	1.275V

**Notes:**

- i) Logic 0 = Connect to VID Common
- ii) Logic 1 = Open circuit (no pull-up resistors)
- iii) VID3 and VID4 may not be changed while the unit is operating.

#### Standard Application (PT8104 only)



## PT8100 Series

### 40-A 3.3/5-V Input Programmable Integrated Switching Regulator

#### PT8101 /2 Specifications (Unless otherwise stated $T_a = 25^\circ\text{C}$ , $C_1 = 1,500\mu\text{F}$ , $C_2 = 660\mu\text{F}$ , $V_{in} = 5\text{V}$ , & $I_o = 40\text{A}$ )

Characteristics	Symbols	Conditions	PT8101/2, $V_{in} = 5\text{V}$			Units	
			Min	Typ	Max		
Output Current	$I_o$	25°C, natural convection 60°C with 200LFM airflow	0.1 (1) 0.1 (1)	— —	38 40	A	
Input Voltage Range	$V_{in}$	Over $I_o$ Range	4.5	—	5.5	V	
Set-Point Voltage Tolerance	$V_o$ tol	Over $V_o$ range	—	±1	±2	%V	
Line Regulation	$\Delta\text{Reg}_{line}$	Over $V_{in}$ range	—	±5	—	mV	
Load Regulation	$\Delta\text{Reg}_{load}$	Over $I_o$ range	—	±5	—	mV	
Temperature Variation	$\Delta\text{Reg}_{temp}$	$-40^\circ\text{C} \leq T_a \leq 85^\circ\text{C}$	—	±0.5	—	% $V_o$	
Total Output Voltage Variation	$\Delta V_{otot}$	Includes set-point, line load, $-40^\circ\text{C} \leq T_a \leq 85^\circ\text{C}$	—	—	±3	%V	
Efficiency	$\eta$	$I_o = 20\text{A}$	$V_o = 2.5\text{V}$	—	93	—	%
			$V_o = 1.8\text{V}$	—	90	—	
			$V_o = 1.5\text{V}$	—	88	—	
		$V_o = 1.2\text{V}$	—	86	—		
		$I_o = 40\text{A}$	$V_o = 2.5\text{V}$	—	89	—	
			$V_o = 1.8\text{V}$	—	85	—	
$V_o = 1.5\text{V}$	—		83	—			
$V_o = 1.2\text{V}$	—	81	—				
$V_o$ Ripple (pk-pk)	$V_r$	20MHz bandwidth	—	25	—	mV	
Transient Response ( $V_o = 1.8\text{V}$ )	$t_{tr}$	1A/ $\mu\text{s}$ load step, 50% to 100% $I_{o,max}$	—	50	—	$\mu\text{Sec}$	
	$\Delta V_{tr}$	$V_o$ over/undershoot	—	75	—	mV	
Transient Response ( $V_o = 1.2\text{V}$ )	$t_{tr}$	1A/ $\mu\text{s}$ load step, 50% to 100% $I_{o,max}$	—	25	—	$\mu\text{Sec}$	
	$\Delta V_{tr}$	$V_o$ over/undershoot	—	30	—	mV	
Short Circuit Threshold	$I_{o,sc}$		—	60	—	A	
Switching Frequency	$f_o$	Over load range	300	350	400	kHz	
Standby Control (pin 6) Input High Voltage Input Low Voltage Input Low Current	$V_{IH}$	Referenced to GND (pins 17–22)	—	—	Open (2)	V	
	$V_{IL}$		-0.2	—	0.8		
	$I_{IL}$	Pin 6 to GND	—	0.5	—	mA	
	Standby Input Current	$I_{in, standby}$	Pin 6 to GND	—	35	—	mA
External Output Capacitance	$C_2$	See application schematic	660 (5)	—	15,000	$\mu\text{F}$	
External Input Capacitance	$C_1$	See application schematic	1,500	—	—	$\mu\text{F}$	
Operating Temperature Range	$T_a$	Over $V_{in}$ Range	-40 (3)	—	+85 (4)	°C	
Storage Temperature	$T_s$		-40	—	+125	°C	
Mechanical Shock		Per Mil-STD-883D, Method 2002.3 1 msec, Half Sine, mounted to a fixture	—	500	—	G's	
Mechanical Vibration		Mil-STD-883D, Method 2007.2 20-2000 Hz, soldered in PCB	Vertical	—	20 (6)	—	G's
			Horizontal	—	20 (6)	—	
Weight	—	Vertical/Horizontal	—	55	—	grams	
Flammability	—	Materials meet UL 94V-0					

**Notes:** (1) ISR will operate down to no load with reduced specifications.

(2) The Standby input (pin 6) has an internal pull-up. If it is left open-circuit the module will operate when input power is applied. A low-leakage MOSFET is recommended to control this input. The open-circuit voltage is nominally 5V. See application notes for interface considerations.

(3) For operation below 0°C,  $C_{out}$  must have stable characteristics. Use either low ESR tantalum or Oscon® capacitors.

(4) See safe Operating Area curves or consult factory for the appropriate derating.

(5) The PT8100 regulators require a minimum of 660 $\mu\text{F}$ , low ESR output capacitance (1,200 $\mu\text{F}$  for standard aluminum electrolytic) for proper operation.

(6) The case pins on the through-hole package types (suffixes N & A) must be soldered. For more information see the applicable package outline drawing.

**Input Filter:** The filter components  $L_1$ , and  $C_3$  are optional for most applications. The inductor must be rated to handle the projected input current. A rating of 30ADC is recommended. The capacitance  $C_1$  must be rated for a minimum of 1Arms of ripple current. For transient or dynamic load applications, additional capacitance may be required. For more information refer to the application note on capacitor recommendations for this product.

## PT8100 Series

### 40-A 3.3/5-V Input Programmable Integrated Switching Regulator

#### PT8103/5 Specifications (Unless otherwise stated $T_a = 25^\circ\text{C}$ , $C_1 = 1,500\mu\text{F}$ , $C_2 = 660\mu\text{F}$ , $V_{in} = 3.3\text{V}$ , & $I_o = 40\text{A}$ )

Characteristics	Symbols	Conditions	PT8103/5, $V_{in} = 3.3\text{V}$			Units	
			Min	Typ	Max		
Output Current	$I_o$	25°C, natural convection 60°C with 200LFM airflow	0.1 (1) 0.1 (1)	—	39 40	A	
Input Voltage Range	$V_{in}$	Over $I_o$ Range	3.1	—	3.6	V	
Set-Point Voltage Tolerance	$V_o$ tol	Over $V_o$ range	—	$\pm 1$	$\pm 2$	%V	
Line Regulation	$\Delta\text{Reg}_{line}$	Over $V_{in}$ range	—	$\pm 5$	—	mV	
Load Regulation	$\Delta\text{Reg}_{load}$	Over $I_o$ range	—	$\pm 5$	—	mV	
Temperature Variation	$\Delta\text{Reg}_{temp}$	$-40^\circ\text{C} \leq T_a \leq 85^\circ\text{C}$	—	$\pm 0.5$	—	% $V_o$	
Total Output Voltage Variation	$\Delta V_{otot}$	Includes set-point, line, load, $-40^\circ\text{C} \leq T_a \leq 85^\circ\text{C}$	—	—	$\pm 3$	%V	
Efficiency	$\eta$	$I_o = 20$	$V_o = 1.8\text{V}$	—	90	—	%
			$V_o = 1.5\text{V}$	—	89	—	
			$V_o = 1.2\text{V}$	—	87	—	
		$I_o = 40$	$V_o = 0.8\text{V}$	—	84	—	
			$V_o = 1.8\text{V}$	—	86	—	
			$V_o = 1.5\text{V}$	—	84	—	
			$V_o = 1.2\text{V}$	—	82	—	
			$V_o = 0.8\text{V}$	—	78	—	
$V_o$ Ripple (pk-pk)	$V_r$	20MHz bandwidth	—	25	—	mV	
Transient Response ( $V_o = 1.2\text{V}$ )	$t_{tr}$	1A/ $\mu\text{s}$ load step, 50% to 100% $I_{omax}$	—	25	—	$\mu\text{Sec}$	
		$V_o$ over/undershoot	—	30	—	mV	
Short Circuit Threshold	$I_{osc}$		—	60	—	A	
Switching Frequency	$f_o$	Over load range	300	350	400	kHz	
Standby Control (pin 6)	$V_{IH}$ $V_{IL}$	Referenced to GND (pins 17–22)	—	—	Open (2)	V	
			Input High Voltage	-0.2	—		0.8
			Input Low Voltage	—	0.5		—
Input Low Current	$I_{IL}$	Pin 6 to GND	—	0.5	—	mA	
Standby Input Current	$I_{in}$ standby	Pin 6 to GND	—	35	—	mA	
External Output Capacitance	$C_2$	See application schematic	660 (5)	—	15,000	$\mu\text{F}$	
External Input Capacitance	$C_1$	See application schematic	1,500	—	—	$\mu\text{F}$	
Operating Temperature Range	$T_a$	Over $V_{in}$ Range	-40 (3)	—	+85 (4)	°C	
Storage Temperature	$T_s$	—	-40	—	+125	°C	
Mechanical Shock		Per Mil-STD-883D, Method 2002.3 1 msec, Half Sine, mounted to a fixture	—	500	—	G's	
Mechanical Vibration		Mil-STD-883D, Method 2007.2 20-2000 Hz, soldered in PCB	Vertical	—	20 (6)	—	G's
			Horizontal	—	20 (6)	—	
Weight	—	Vertical/Horizontal	—	55	—	grams	
Flammability	—	Materials meet UL 94V-0					

**Notes:** (1) ISR will operate down to no load with reduced specifications.

(2) The Standby input (pin 6) has an internal pull-up. If it is left open-circuit the module will operate when input power is applied. A low-leakage MOSFET is recommended to control this input. The open-circuit voltage is nominally 5V. See application notes for interface considerations.

(3) For operation below 0°C,  $C_{out}$  must have stable characteristics. Use either low ESR tantalum or Oscon® capacitors.

(4) See safe Operating Area curves or consult factory for the appropriate derating.

(5) The PT8100 regulators require a minimum of 660 $\mu\text{F}$ , low ESR output capacitance (1,200 $\mu\text{F}$  for standard aluminum electrolytic) for proper operation.

(6) The case pins on the through-hole package types (suffixes N & A) must be soldered. For more information see the applicable package outline drawing.

**Input Filter:** The filter components  $L_1$  and  $C_3$  are optional for most applications. The inductor must be rated to handle the projected input current. A rating of 30ADC is recommended. The input capacitance,  $C_1$  must be rated for a minimum of 1A $r_{rms}$  of ripple current. For transient or dynamic load applications, additional capacitance may be required. For more information refer to the application note on capacitor recommendations for this product.

## PT8100 Series

### 40-A 3.3/5-V Input Programmable Integrated Switching Regulator

#### PT8104 Specifications (Unless otherwise stated $T_a = 25^\circ\text{C}$ , $C_1 = 1,500\mu\text{F}$ , $C_2 = 660\mu\text{F}$ , $V_{in} = 5\text{V}$ , $V_o = 1.8\text{V}$ , & $I_o = 40\text{A}$ )

Characteristics	Symbols	Conditions	PT8104, $V_{in} = 5\text{V}$			Units	
			Min	Typ	Max		
Output Current	$I_o$	25°C, natural convection 60°C with 200LFM airflow	0.1 (1) 0.1 (1)	— —	38 40	A	
Input Voltage Range	$V_{in}$	Over $I_o$ Range	4.5	—	5.5	V	
Set-Point Voltage Tolerance	$V_o$ tol	Over $V_o$ range	—	$\pm 1$	$\pm 2$	%V	
Line Regulation	$\Delta\text{Reg}_{line}$	Over $V_{in}$ range	—	$\pm 10$	—	mV	
Load Regulation (Droop)	$\Delta\text{Reg}_{load}$	Over $I_o$ range	—	1.5	—	mV/A	
Temperature Variation	$\Delta\text{Reg}_{temp}$	$-40^\circ\text{C} \leq T_a \leq 85^\circ\text{C}$	—	$\pm 0.5$	—	% $V_o$	
Total Output Voltage Variation	$\Delta V_{o,tot}$	Includes set-point, line, load, $-40^\circ\text{C} \leq T_a \leq 85^\circ\text{C}$ , pin 31 to GND	—	—	75 (2)	mV	
Efficiency	$\eta$	$I_o = 15\text{A}$	$V_o = 1.8\text{V}$	—	90	—	%
			$V_o = 1.5\text{V}$	—	88	—	
			$V_o = 1.2\text{V}$	—	87	—	
		$I_o = 40\text{A}$	$V_o = 1.8\text{V}$	—	85	—	%
$V_o = 1.5\text{V}$	—	82	—				
$V_o = 1.2\text{V}$	—	80	—				
$V_o$ Ripple (pk-pk)	$V_r$	20MHz bandwidth	—	25	—	mV	
Transient Response ( $V_o = 1.2\text{V}$ )	$t_{tr}$	1A/ $\mu\text{s}$ load step, 50% to 100% $I_{o,max}$	—	50	—	$\mu\text{Sec}$	
	$\Delta V_{tr}$	$V_o$ over/undershoot	—	50	—	mV	
Short Circuit Threshold	$I_{o,sc}$		—	58	—	A	
Switching Frequency	$f_o$	Over load range	300	350	400	kHz	
Standby Control (pin 6) Input High Voltage Input Low Voltage Input Low Current	$V_{IH}$ $V_{IL}$ $I_{IL}$	Referenced to GND (pins 17–22)	—	—	Open (3)	V	
			-0.2	—	0.8		
		Pin 6 to GND	—	0.5	—		mA
Standby Input Current	$I_{in, standby}$	Pin 6 to GND	—	35	—	mA	
External Output Capacitance	$C_2$	See PT8104 application schematic	660 (6)	—	15,000	$\mu\text{F}$	
External Input Capacitance	$C_1$	See PT8104 application schematic	1,500	—	—	$\mu\text{F}$	
Operating Temperature Range	$T_a$	Over $V_{in}$ Range	-40 (4)	—	+85 (5)	$^\circ\text{C}$	
Storage Temperature	$T_s$	—	-40	—	+125	$^\circ\text{C}$	
Mechanical Shock		Per Mil-STD-883D, Method 2002.3 1 msec, Half Sine, mounted to a fixture	—	500	—	G's	
Mechanical Vibration		Mil-STD-883D, Method 2007.2 20-2000 Hz, soldered in PCB	Vertical	—	20 (7)	G's	
			Horizontal	—	20 (7)		
Weight	—	Vertical/Horizontal	—	55	—	grams	
Flammability	—	Materials meet UL 94V-0	—	—	—		

**Notes:** (1) ISR-will operate down to no load with reduced specifications.

(2) Total output voltage variation includes load regulation droop, which is required for compliance with specification VRM 8.4-5

(3) The Standby input (pin 6) has an internal pull-up. If it is left open-circuit the module will operate when input power is applied. A low-leakage MOSFET is recommended to control this input. The open-circuit voltage is nominally 5V. See application notes for interface considerations.

(4) For operation below 0°C,  $C_{out}$  must have stable characteristics. Use either low ESR tantalum or Oscon® capacitors.

(5) See safe Operating Area curves or consult factory for the appropriate derating.

(6) The PT8100 regulators require a minimum of 660 $\mu\text{F}$ , low ESR output capacitance (1,200 $\mu\text{F}$  for standard aluminum electrolytic) for proper operation.

(7) The case pins on the through-hole package types (suffixes N & A) must be soldered. For more information see the applicable package outline drawing.

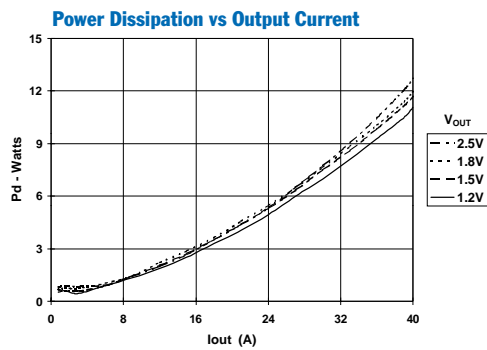
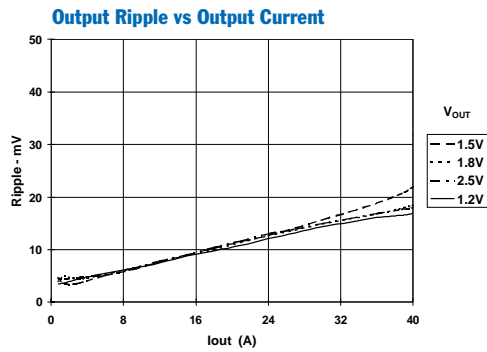
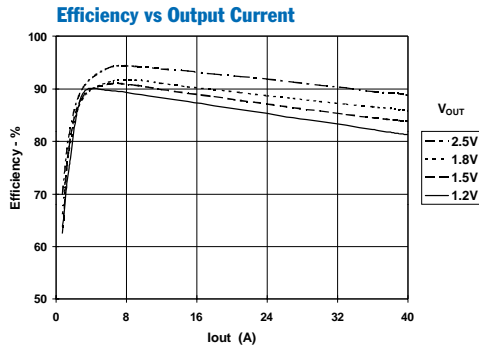
**Input Filter:** The filter components  $L_1$  and  $C_3$  are optional for most applications. The inductor must be rated to handle the projected input current. A rating of 20ADC is recommended. The input capacitance,  $C_1$  must be rated for a minimum of 1Arms of ripple current. For transient or dynamic load applications, additional capacitance may be required. For more information refer to the application note on capacitor recommendations for this product.

**PT8100 Series**

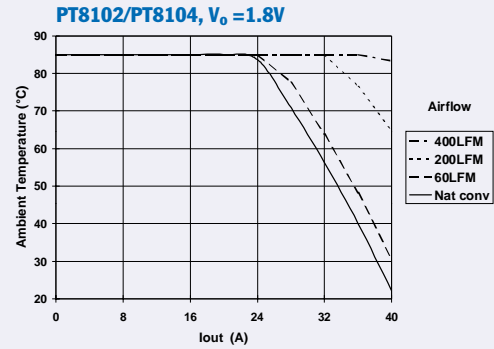
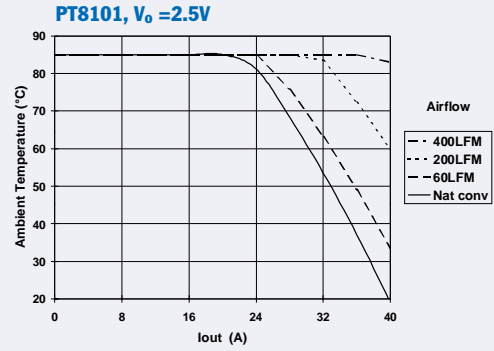
**Typical Characteristics**

40-A 3.3/5-V Input Programmable Integrated Switching Regulator

**Characteristic Data;  $V_{in} = 5V$ , PT8101/2/4** (See Note A)



**Safe Operating Area;  $V_{in} = 5V$**  (See Note B)



**Note A:** Characteristic data has been developed from actual products tested at 25°C. This data is considered typical data for the Converter.

**Note B:** SOA curves represent the conditions at which internal components are at or below the manufacturer's maximum operating temperatures



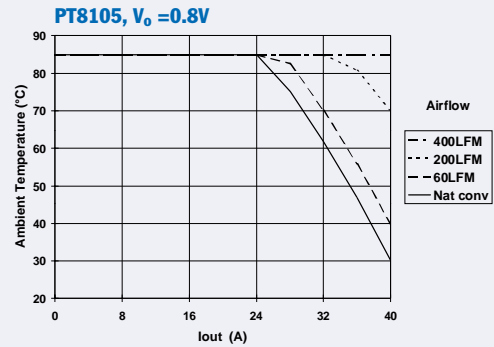
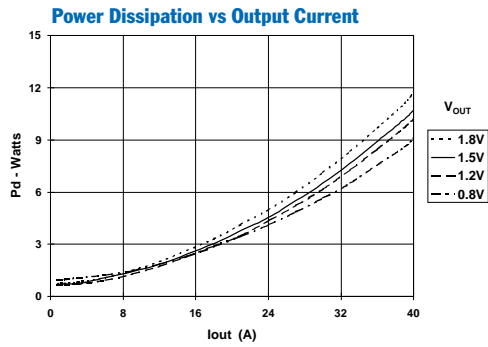
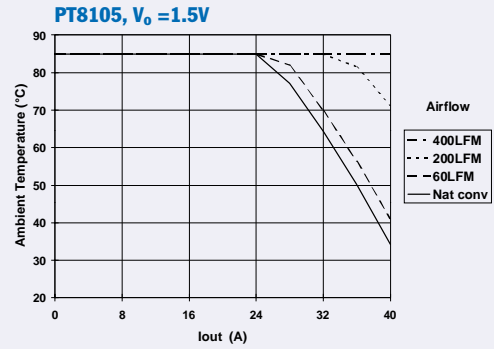
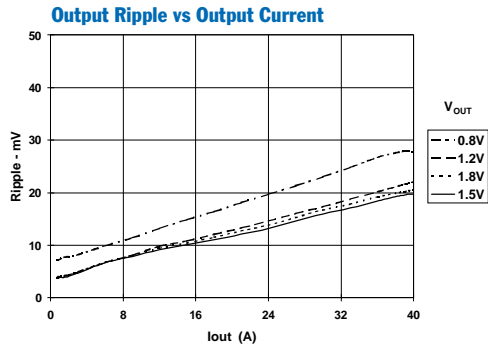
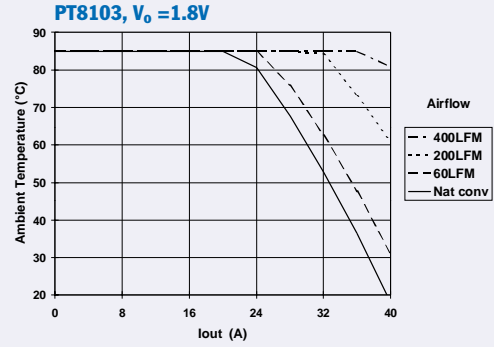
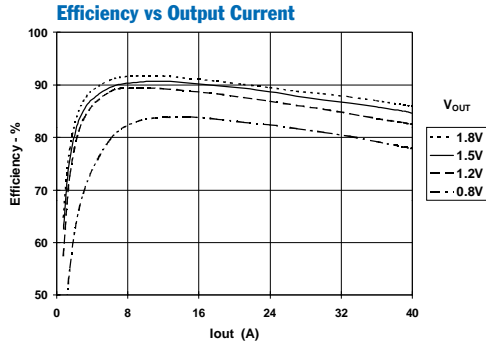
**PT8100 Series**

**Typical Characteristics**

40-A 3.3/5-V Input Programmable Integrated Switching Regulator

**Characteristic Data;  $V_{in} = 3.3V$ , PT8103/5** (See Note A)

**Safe Operating Area;  $V_{in} = 3.3V$**  (See Note B)



**Note A:** Characteristic data has been developed from actual products tested at 25°C. This data is considered typical data for the Converter.  
**Note B:** SOA curves represent the conditions at which internal components are at or below the manufacturer's maximum operating temperatures

## Application Notes

PT8100

### Capacitor Recommendations for the Non-Isolated 40-A Excalibur™ Series of Regulators

#### Input Capacitors

The recommended input capacitance is determined by the 1.0 ampere minimum ripple current rating and 1500µF minimum capacitance. Capacitors listed below must be rated for a minimum of 2× the input voltage with +5V operation. Ripple current and ≤100mΩ equivalent series resistance (ESR) values are the major considerations along with temperature when selecting the proper capacitor.

#### Output Capacitors

The minimum required output capacitance is either 660µF Oscon/Tantalum or 1200µF Aluminum Electrolytic with a maximum ESR less than or equal to 100mΩ. Failure to observe this requirement may lead to regulator instability or oscillation. Electrolytic capacitors have poor ripple performance at frequencies greater than 400kHz, but excellent low frequency transient response. Above the ripple frequency ceramic decoupling capacitors are necessary to improve the transient response and reduce any high frequency noise components apparent during higher current excursions. Preferred low ESR type capacitor part numbers are identified in Table 1 below.

#### Tantalum Characteristics

Tantalum capacitors with a minimum 10V rating are recommended on the output bus, but only the AVX TPS, Sprague 594/595, or Kemet T495/T510 product series. The AVX TPS, Sprague, or Kemet series capacitors are specified over other types due to their higher surge current, excellent power dissipation, and ripple current ratings. As a caution, the TAJ Series by AVX is not recommended. This series exhibits considerably higher ESR, reduced power dissipation and lower ripple current capability. The TAJ series is also less reliable compared to the TPS series when determining power dissipation capability.

#### Capacitor Table

Table 1 identifies the characteristics of capacitors from a number of vendors with acceptable ESR and ripple current (rms) ratings. The suggested minimum quantities per regulator for both the input and output buses are identified.

*This is not an extensive capacitor list. The table below is a suggested selection guide for input and output capacitors. Other capacitor vendors are available with comparable RMS ripple current rating and ESR (Equivalent Series Resistance at 100kHz). These critical parameters are necessary to insure both optimum regulator performance and long capacitor life.*

**Table 1 Capacitors Characteristic Data**

Capacitor Vendor Series	Capacitor Characteristics					Quantity		Vendor Number
	Working Voltage	Value(µF)	(ESR) Equivalent Series Resistance	85°C Maximum Ripple Current(Irms)	Physical Size(mm)	Input Bus	Output Bus	
Panasonic FC/FK (Surface Mount)	16V	1500	0.060Ω	1100mA	12.5×13.5	1	1	EEVFK1C152Q EEVFC1C222N
	16V	2200	0.038Ω	2000mA	18×16.5	1	1	
FC (Radial)	16V	1500	0.043Ω	1690mA	16×15	1	1	EEUFC1C152S
United Chemi-Con LXZ (Radial)	16V	1500	0.038Ω	1660mA	12.5×20	1	1	LXZ16VB155M12X20LL LXZ25VB182M16X20LL
	25V	1800	0.029Ω	2200mA	16×20	1	1	
FX	6.3V	1000	0.013Ω	4935mA	10×10.5	1	1	6FX1000M (Vin =3.3V) 10FX680M (Os-con)
	10V	680	0.015Ω+2 =0.007Ω	>7000mA	10×10.5	2	1	
Nichicon PL Series	10V	1500	0.050Ω	1190mA	16×15	1	1	UPM1A152MHH6 UPM1A182MHH6
	10V	1800	0.044Ω	1420mA	16×15	1	1	
UD Series	10V	1000	0.09Ω	670mA×2	10×10	2	2	UUD1A102MCR1GS
Os-con: SS SVP (Surface Mount) SVP (Surface Mount)	10V	330	0.025Ω+3 =0.008Ω	>7000mA	10×10.5	3	2	10SS330M 10SVP330M 10SVP560M
	10V	330	0.017Ω+3 =0.006Ω	>7000mA	10.3×12.6	3	2	
	10V	560	0.013Ω+2 =0.065Ω	>7000mA	10×12.7	2	2	
AVX Tantalum TPS Series (Surface Mount)	10V	330	0.100Ω+3 =0.034Ω	>3500mA	7.0 L ×5.97 W ×3.45 H	3	2	TPSV337M010R0100 TPSV337M010R0060
	10V	330	0.060Ω+3 =0.020Ω	>3500mA		3	2	
Vishay/Sprague Tantalum 595D/594D Series (Surface Mount)	10V	330	0.045Ω+3 =0.015Ω	>4600mA	7.2 L ×6.0 W ×3.5 H	3	2	594D337X0010R2T 595D687X0010R2T
	10V	680	0.090Ω+4 =0.023Ω	>2500mA		2	1	
Kemet Tantalum T510/T495 /T520 (Surface Mount)	10V	330	0.035Ω+3 =0.012Ω	>5000mA	7.3 L ×4.3 W ×4.0 H	3	1	T510X337M010AS T495X227M010AS
	10V	220	0.070Ω+5 =0.035Ω	>3000mA		5	2	
Sanyo Poscap TPB (Surface Mount)	10V	220	0.040Ω+5 =0.008Ω	>3000mA	7.2 L ×4.3 W ×3.1 H	5	2	10TPB220M

## Application Notes

### PT8100 Series

#### Pin-Coded Output Voltage Programming of the 40-A Rated PT8100 Series Regulators

The PT8100 series of Excalibur® ISRs incorporate a pin-coded programmable output voltage. In each case the desired output voltage must be selected from a preset range defined by the regulator model. Programming is achieved by selectively connecting the control inputs, “VID0-VID4” (“VID 25mV-VID3” for PT8104), pins 1-5, to the “VID Common,” pin 11. <sup>1</sup> The programming code and pinout information for each model is provided in the PT8100 specifications. Some of the program codes are compatible with the “Voltage ID” codes defined by the Intel® VRM specifications. Figure 1 shows the pin-strap connections for selecting 1.5V output voltage from a PT8101.

#### Notes:

- The programming convention is as follows:-  
Logic 0: Connect to pin 11 (VID Common).  
Logic 1: Open circuit/open drain (See notes 2, & 4)
- The output voltage range of the PT8101 is limited to 2.7V maximum. Above this voltage, the performance of the module is not guaranteed. Although the module will appear to function above this voltage, VID 4 (pin 5) should not be used to set the output voltage higher than 2.7V.
- Do not connect pull-up resistors to the voltage programming pins.
- To minimize output voltage error, use pin 11 (VID Common) as the logic “0” reference. However if the regulator is used to power a VRM compatible

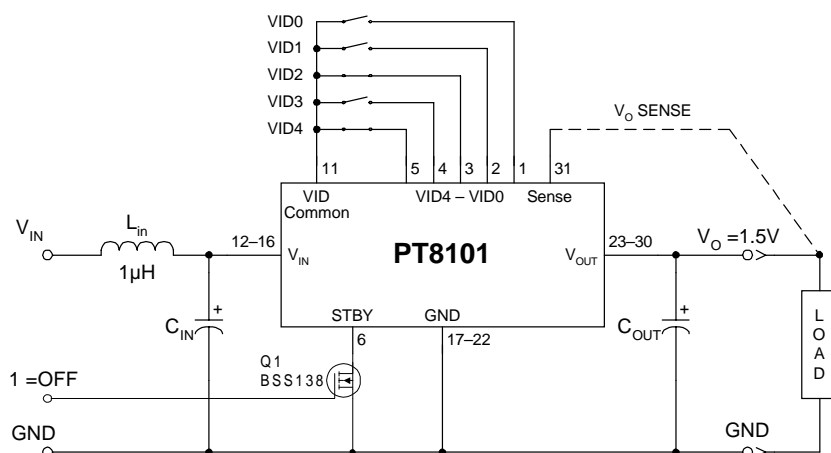
microprocessor this may not be possible. In this case either connect pin 11 to pins 17-22, or the ground plane close to the regulator. This will allow the microprocessor to use the common ground as a VID control reference.

- If active devices are used to ground the voltage control pins, low-level open-drain MOSFETs should be used over bipolar transistors. The inherent  $V_{ce(sat)}$  in bipolar devices introduces errors in the device’s internal voltage control circuit. Discrete transistors such as the BSS138, 2N7002, IRLML2402, are examples of appropriate devices.

#### Active Voltage Programming:

Special precautions should be taken when making changes to the voltage control program code while the output is active. It is recommended that the ISR be powered down or placed in standby. Changes made to the program code while  $V_{out}$  is active can induce high current transients through the device. This is the result of the electrolytic output capacitors being either charged or discharged to the new output voltage set-point. The transient current can be minimized by making only incremental changes to the binary code, i.e. one LSB at a time. A minimum of 100µs settling time between each program state is also recommended. Making non-incremental changes to VID3 and VID4 with the output enabled is discouraged. The transients induced may activate the module’s over-current protection. When using active devices to program the output voltage, their state should be asserted prior to input power being applied. If this is not possible, pull *STBY\** (pin 6) to GND during the application of power, assert the program code, then release pin 6. The release of pin 6 will then to allow the device to initiate a soft-start power-up to the program voltage.

Figure 1



## Application Notes

### PT8100 Series

### Using the On/Off Standby Function of the PT8100 Series of Programmable ISRs

The PT8100 series of programmable ISRs incorporates an On/Off Standby function. This feature may be used to turn the regulated output of the module off while input voltage is applied. This places the module in “standby” mode. The standby control may be used for power-up sequencing, or wherever there is a requirement to control the module’s output status from another circuit.

The Standby function is provided by the *STBY\** control, pin 6. If pin 6 is left open-circuit the regulator operates normally, providing a regulated output when a valid supply voltage is applied to  $V_{in}$  (pins 10-16) with respect to GND (pins 17-22). Connecting pin 6 to ground<sup>1</sup> places the regulator in standby mode<sup>2</sup>, and reduces the input current to typically 20mA. Applying a ground signal to pin 6 prior to power-up, will inhibit the output during the period that input power is applied. When the ground signal to pin 6 is removed, the regulator initiates a soft-start to re-establish the set output voltage.<sup>3</sup> To ensure that the regulator output is properly enabled, the *STBY\** control pin must be open circuit.

**Table 1 Standby Control Requirements<sup>2</sup>**

Parameter	Min	Typ	Max
$V_{IH}$	—		Open Cct. <sup>1</sup>
$V_{IL}$	-0.2V	—	0.8V
$I_{STBY}$		-0.5mA	

**Notes:**

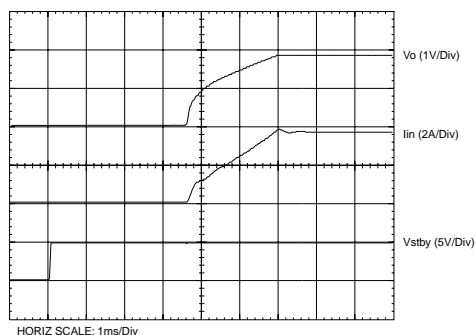
1. The standby on a PT8100 series regulators must be controlled with an open-collector (or open-drain) transistor (See fig. 1). *Do Not* use a pull-up resistor. Table 1 gives the *STBY\** pin parameters. The control pin has an open-circuit voltage equal to  $V_{in}$ . To shut the regulator output off, the control pin must be “pulled” to less than 0.8Vdc with a low-impedance sink to ground.

2. In the standby mode the output of the regulator is tri-state, and the output voltage falls at the rate that the load circuit discharges the output filter capacitors.
3. When the ground signal to the *Standby* pin is removed, the regulator output initiates a soft-start cycle by first asserting a low impedance to ground. If an external voltage is applied to the output bus, it will sink current and possibly over-stress the part.

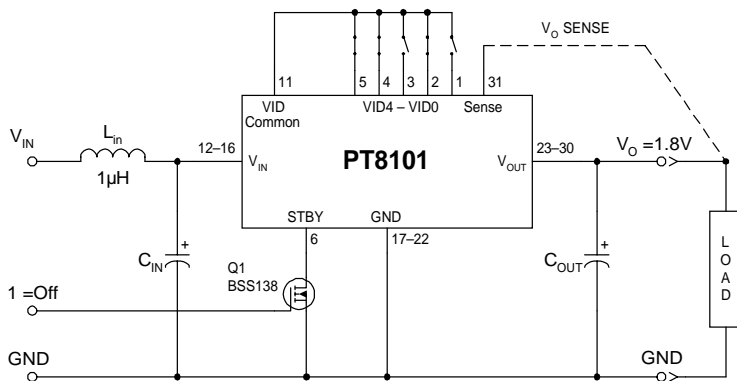
**Turn-On Time**

Turning  $Q_1$  in Figure 1 off, removes the low-voltage signal at pin 6. After approximately 4ms the regulator output rises and reaches full regulation within 10ms. Fig. 2 shows the typical waveforms of a PT8101 following the prompt turn-off of  $Q_1$ . The turn-off of  $Q_1$  corresponds to the rise in  $V_{stby}$ . The output voltage was set to 1.8V, and the waveforms were measured with a 5V input source, and 9.25A resistive load.

**Figure 2**



**Figure 1**





PACKAGING INFORMATION

Orderable Device	Status (1)	Package Type	Package Drawing	Pins	Package Qty	Eco Plan (2)	Lead/Ball Finish (6)	MSL Peak Temp (3)	Op Temp (°C)	Device Marking (4/5)	Samples
PT8101A	OBSOLETE	SIP MODULE	EKF	31		TBD	Call TI	Call TI	-40 to 85		
PT8101N	NRND	SIP MODULE	EKH	31		TBD	Call TI	Call TI	-40 to 85		
PT8102C	LIFEBUY	SIP MODULE	EKG	31		TBD	Call TI	Call TI	-40 to 85		
PT8103A	LIFEBUY	SIP MODULE	EKF	31		TBD	Call TI	Call TI	-40 to 85		
PT8104A	NRND	SIP MODULE	EKF	31		TBD	Call TI	Call TI	-40 to 85		
PT8104C	NRND	SIP MODULE	EKG	31		TBD	Call TI	Call TI	-40 to 85		
PT8105C	NRND	SIP MODULE	EKG	31		TBD	Call TI	Call TI	-40 to 85		
PT8105N	NRND	SIP MODULE	EKH	31		TBD	Call TI	Call TI	-40 to 85		

(1) The marketing status values are defined as follows:

**ACTIVE:** Product device recommended for new designs.

**LIFEBUY:** TI has announced that the device will be discontinued, and a lifetime-buy period is in effect.

**NRND:** Not recommended for new designs. Device is in production to support existing customers, but TI does not recommend using this part in a new design.

**PREVIEW:** Device has been announced but is not in production. Samples may or may not be available.

**OBSOLETE:** TI has discontinued the production of the device.

(2) Eco Plan - The planned eco-friendly classification: Pb-Free (RoHS), Pb-Free (RoHS Exempt), or Green (RoHS & no Sb/Br) - please check <http://www.ti.com/productcontent> for the latest availability information and additional product content details.

**TBD:** The Pb-Free/Green conversion plan has not been defined.

**Pb-Free (RoHS):** TI's terms "Lead-Free" or "Pb-Free" mean semiconductor products that are compatible with the current RoHS requirements for all 6 substances, including the requirement that lead not exceed 0.1% by weight in homogeneous materials. Where designed to be soldered at high temperatures, TI Pb-Free products are suitable for use in specified lead-free processes.

**Pb-Free (RoHS Exempt):** This component has a RoHS exemption for either 1) lead-based flip-chip solder bumps used between the die and package, or 2) lead-based die adhesive used between the die and leadframe. The component is otherwise considered Pb-Free (RoHS compatible) as defined above.

**Green (RoHS & no Sb/Br):** TI defines "Green" to mean Pb-Free (RoHS compatible), and free of Bromine (Br) and Antimony (Sb) based flame retardants (Br or Sb do not exceed 0.1% by weight in homogeneous material)

(3) MSL, Peak Temp. - The Moisture Sensitivity Level rating according to the JEDEC industry standard classifications, and peak solder temperature.

(4) There may be additional marking, which relates to the logo, the lot trace code information, or the environmental category on the device.

(5) Multiple Device Markings will be inside parentheses. Only one Device Marking contained in parentheses and separated by a "-" will appear on a device. If a line is indented then it is a continuation of the previous line and the two combined represent the entire Device Marking for that device.

(6) Lead/Ball Finish - Orderable Devices may have multiple material finish options. Finish options are separated by a vertical ruled line. Lead/Ball Finish values may wrap to two lines if the finish value exceeds the maximum column width.



Distributor of Texas Instruments: Excellent Integrated System Limited

Datasheet of PT8101A - REGULATOR 3.3/5VIN 40A HORZ

Contact us: [sales@integrated-circuit.com](mailto:sales@integrated-circuit.com) Website: [www.integrated-circuit.com](http://www.integrated-circuit.com)

**PACKAGE OPTION ADDENDUM**



[www.ti.com](http://www.ti.com)

2-Feb-2014

---

**Important Information and Disclaimer:** The information provided on this page represents TI's knowledge and belief as of the date that it is provided. TI bases its knowledge and belief on information provided by third parties, and makes no representation or warranty as to the accuracy of such information. Efforts are underway to better integrate information from third parties. TI has taken and continues to take reasonable steps to provide representative and accurate information but may not have conducted destructive testing or chemical analysis on incoming materials and chemicals. TI and TI suppliers consider certain information to be proprietary, and thus CAS numbers and other limited information may not be available for release.

In no event shall TI's liability arising out of such information exceed the total purchase price of the TI part(s) at issue in this document sold by TI to Customer on an annual basis.

### IMPORTANT NOTICE

Texas Instruments Incorporated and its subsidiaries (TI) reserve the right to make corrections, enhancements, improvements and other changes to its semiconductor products and services per JESD46, latest issue, and to discontinue any product or service per JESD48, latest issue. Buyers should obtain the latest relevant information before placing orders and should verify that such information is current and complete. All semiconductor products (also referred to herein as "components") are sold subject to TI's terms and conditions of sale supplied at the time of order acknowledgment.

TI warrants performance of its components to the specifications applicable at the time of sale, in accordance with the warranty in TI's terms and conditions of sale of semiconductor products. Testing and other quality control techniques are used to the extent TI deems necessary to support this warranty. Except where mandated by applicable law, testing of all parameters of each component is not necessarily performed.

TI assumes no liability for applications assistance or the design of Buyers' products. Buyers are responsible for their products and applications using TI components. To minimize the risks associated with Buyers' products and applications, Buyers should provide adequate design and operating safeguards.

TI does not warrant or represent that any license, either express or implied, is granted under any patent right, copyright, mask work right, or other intellectual property right relating to any combination, machine, or process in which TI components or services are used. Information published by TI regarding third-party products or services does not constitute a license to use such products or services or a warranty or endorsement thereof. Use of such information may require a license from a third party under the patents or other intellectual property of the third party, or a license from TI under the patents or other intellectual property of TI.

Reproduction of significant portions of TI information in TI data books or data sheets is permissible only if reproduction is without alteration and is accompanied by all associated warranties, conditions, limitations, and notices. TI is not responsible or liable for such altered documentation. Information of third parties may be subject to additional restrictions.

Resale of TI components or services with statements different from or beyond the parameters stated by TI for that component or service voids all express and any implied warranties for the associated TI component or service and is an unfair and deceptive business practice. TI is not responsible or liable for any such statements.

Buyer acknowledges and agrees that it is solely responsible for compliance with all legal, regulatory and safety-related requirements concerning its products, and any use of TI components in its applications, notwithstanding any applications-related information or support that may be provided by TI. Buyer represents and agrees that it has all the necessary expertise to create and implement safeguards which anticipate dangerous consequences of failures, monitor failures and their consequences, lessen the likelihood of failures that might cause harm and take appropriate remedial actions. Buyer will fully indemnify TI and its representatives against any damages arising out of the use of any TI components in safety-critical applications.

In some cases, TI components may be promoted specifically to facilitate safety-related applications. With such components, TI's goal is to help enable customers to design and create their own end-product solutions that meet applicable functional safety standards and requirements. Nonetheless, such components are subject to these terms.

No TI components are authorized for use in FDA Class III (or similar life-critical medical equipment) unless authorized officers of the parties have executed a special agreement specifically governing such use.

Only those TI components which TI has specifically designated as military grade or "enhanced plastic" are designed and intended for use in military/aerospace applications or environments. Buyer acknowledges and agrees that any military or aerospace use of TI components which have **not** been so designated is solely at the Buyer's risk, and that Buyer is solely responsible for compliance with all legal and regulatory requirements in connection with such use.

TI has specifically designated certain components as meeting ISO/TS16949 requirements, mainly for automotive use. In any case of use of non-designated products, TI will not be responsible for any failure to meet ISO/TS16949.

#### Products

Audio	<a href="http://www.ti.com/audio">www.ti.com/audio</a>
Amplifiers	<a href="http://amplifier.ti.com">amplifier.ti.com</a>
Data Converters	<a href="http://dataconverter.ti.com">dataconverter.ti.com</a>
DLP® Products	<a href="http://www.dlp.com">www.dlp.com</a>
DSP	<a href="http://dsp.ti.com">dsp.ti.com</a>
Clocks and Timers	<a href="http://www.ti.com/clocks">www.ti.com/clocks</a>
Interface	<a href="http://interface.ti.com">interface.ti.com</a>
Logic	<a href="http://logic.ti.com">logic.ti.com</a>
Power Mgmt	<a href="http://power.ti.com">power.ti.com</a>
Microcontrollers	<a href="http://microcontroller.ti.com">microcontroller.ti.com</a>
RFID	<a href="http://www.ti-rfid.com">www.ti-rfid.com</a>
OMAP Applications Processors	<a href="http://www.ti.com/omap">www.ti.com/omap</a>
Wireless Connectivity	<a href="http://www.ti.com/wirelessconnectivity">www.ti.com/wirelessconnectivity</a>

#### Applications

Automotive and Transportation	<a href="http://www.ti.com/automotive">www.ti.com/automotive</a>
Communications and Telecom	<a href="http://www.ti.com/communications">www.ti.com/communications</a>
Computers and Peripherals	<a href="http://www.ti.com/computers">www.ti.com/computers</a>
Consumer Electronics	<a href="http://www.ti.com/consumer-apps">www.ti.com/consumer-apps</a>
Energy and Lighting	<a href="http://www.ti.com/energy">www.ti.com/energy</a>
Industrial	<a href="http://www.ti.com/industrial">www.ti.com/industrial</a>
Medical	<a href="http://www.ti.com/medical">www.ti.com/medical</a>
Security	<a href="http://www.ti.com/security">www.ti.com/security</a>
Space, Avionics and Defense	<a href="http://www.ti.com/space-avionics-defense">www.ti.com/space-avionics-defense</a>
Video and Imaging	<a href="http://www.ti.com/video">www.ti.com/video</a>

#### TI E2E Community

[e2e.ti.com](http://e2e.ti.com)