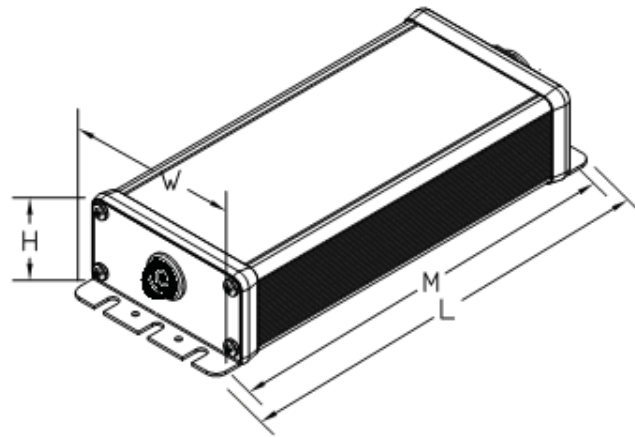


Constant voltage LED driver

ML-A150-UVQ-24

Total power: 150W
 Input voltage: 120~277Vac ± 10%
 Number of outputs: One
 UL 8750 and UL 879
 IP66 design for wet location
 5 year warranty



ELECTRICAL SPECIFICATIONS:

Input voltage range: 120~277Vac ± 10%
 Frequency: 50/60Hz
 Power factor: >0.9 @full load, 120V through 277V
 Inrush current: 30A @230V
 Max input current: 1.38A @120V and 0.66A@277V
 THD: <20%
 Protection: Short circuit, over current and over temperature
 Withstand voltage I/P – O/P 2k Vac

ENVIRONMENTAL SPECIFICATIONS:

Operating temperature: -30 to 60°C
 Storage temperature: -40 to 85°C
 Humidity: 5% to 95%
 MTBF: 75,000 hours at 40°C ambient (~70°C Case temp)
 Maximum case Temperature 90°C

SAFETY AND EMC COMPLIANCE:

UL/cUL UL 8750 and UL 879
 FCC, 47CFR Part 15 Class B Consumer Limit
 EN61000-3-2

PHYSICAL DIMENSIONS:

Length (L): 8.94"
 Width (W): 2.68"
 Height (H): 1.52"
 Mounting (M): 8.33"
 Weight: 1.00 kg

WIRE SPECIFICATIONS:

Input: 12", UL rated SJTW #18 AWG x3C (White, Black and Green)
 Output: 12", UL rated SJTW #14 AWG x2C (Red and Blue)

ORDERING INFORMATION:

Model Number	Max output power	Output Current	Output Voltage	Efficiency	Remote mounting distance (#18 AWG)	Class 2	
						US	Canada
ML-A150-UVQ-24	150 watt	6.25A	24V	88%	6 ft		