



Distributor of ITT Cannon, LLC: Excellent Integrated System Limited

Datasheet of MS3108R36-10PX - CONN PLUG 48POS CABLE PIN RA

Contact us: sales@integrated-circuit.com Website: www.integrated-circuit.com

Excellent Integrated System Limited

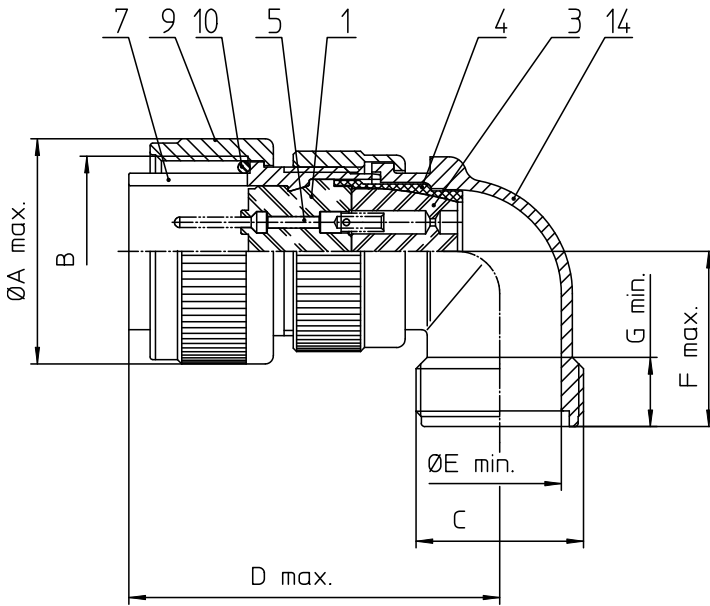
Stocking Distributor

Click to view price, real time Inventory, Delivery & Lifecycle Information:

[ITT Cannon, LLC](#)
[MS3108R36-10PX](#)

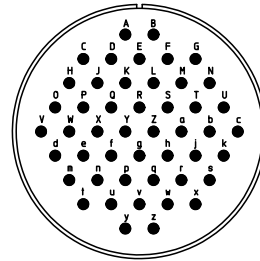
For any questions, you can email us directly:

sales@integrated-circuit.com



| NO. | MASSE / DIMENSION |
|-----|-------------------|
| A | 62.8 |
| B | 2 1/4-16UN-2B |
| C | 2-18NS-2A |
| D | 58 |
| E | 43.6 |
| F | 46.0 |

| NO. | BESCHREIBUNG / DESCRIPTION |
|-----|--------------------------------------|
| 1 | ISOLIERKÖRPER STIFT / INSULATOR PIN |
| 3 | DICHTKÖRPER / GROMMET |
| 4 | ENDRING / ENDRING |
| 5 | KONTAKTSTIFT/ CONTACT PIN |
| 7 | ZYLINDERGHÄUSE / BARREL |
| 9 | ÜBERWURFMUTTER / COUPLING NUT |
| 10 | DICHTRING FRONT / FRONT SEALING RING |
| 12 | ENDGEHÄUSE / ENDBELL |



| |
|--|
| Note: Due to an automatic nomenclature system, numbers generated may not be sequential. |
| Specification and Dimensions subject to change Drawings illustrate normal insulator positioning |
| <u>Material Specification:</u> |
| Shell Material: Aluminium alloy |
| Shell Plating: Olive drab chromate coating over cadmium plating |
| Insulator Material: Neoprene |
| Contact Material: Copper alloy |
| Contact Plating: Hard silver |

| | |
|--|--|
| all dimensions are in mm Dimensions without tolerance indications are general tolerances in acc. with DIN 7168m | drawing for CUSTOMER |
|  ITT <i>Engineered for life</i> <small>ITT CANNON CORP 57100 Westfield, Germany</small> | description MS3108R36-10PX Plug 90° Shortened light-weight endbell without cable clamp Solder Cup / Pin / Layout: 36-10 |
| © All rights reserved. Reproduction or issue in any form without the prior written permission of ITT Cannon. | page 1/1 revision 377.3, Jul 16 |