



Distributor of Molex Connector Corporation: Excellent Integrated System Limited
Datasheet of 0709280002 - D-Sub Connector Receptacle, Female Sockets 60 Position Panel
Mount, Through Hole Solder

Contact us: sales@integrated-circuit.com Website: www.integrated-circuit.com

Excellent Integrated System Limited

Stocking Distributor

Click to view price, real time Inventory, Delivery & Lifecycle Information:

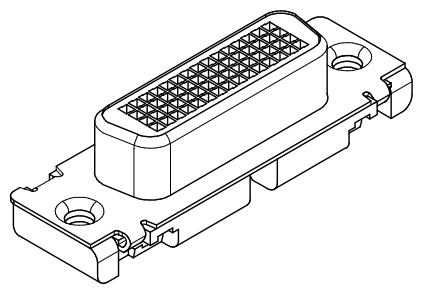
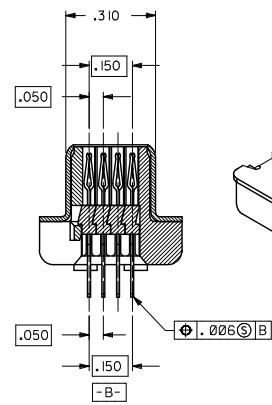
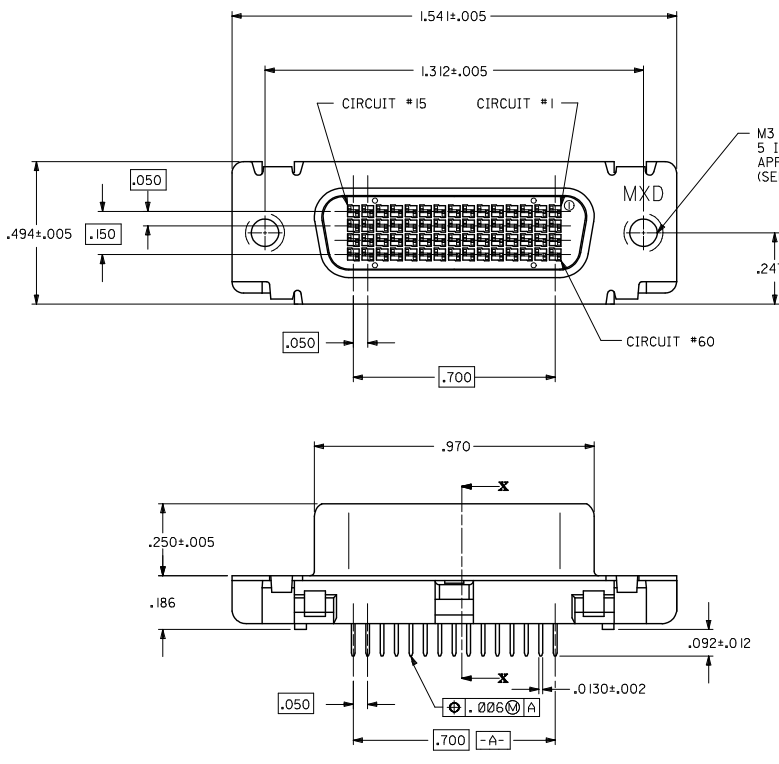
[Molex Connector Corporation](#)
[0709280002](#)

For any questions, you can email us directly:
sales@integrated-circuit.com

Contact us: sales@integrated-circuit.com Website: www.integrated-circuit.com

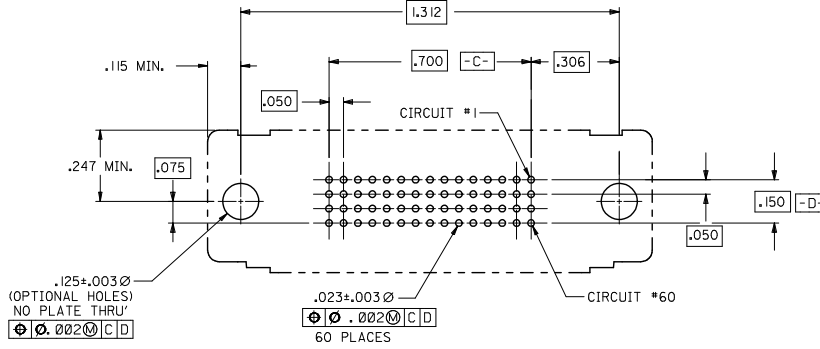
NOTES:

- 1) MATERIALS:
 - HOUSING: GLASS FILLED LCP (LIQUID CRYSTAL POLYMER), UL 94V-0, COLOR: BLACK.
 - MOLDED STICK: GLASS FILLED LCP (LIQUID CRYSTAL POLYMER), UL 94V-0, COLOR: BLACK.
 - FEMALE TERMINAL: HIGH PERFORMANCE COPPER ALLOY
 - OUTER SHELL: DEEP DRAWN STEEL.
- 2) PLATING :
 - TERMINAL: 30 microinches / 0.76 micrometer MIN. GOLD IN SELECTIVE AREA, 100 microinches / 2.54 micrometer MIN. TIN IN SELECTIVE AREA, OVER NICKEL UNDERPLATE OVERALL.
 - OUTER SHELL: 100 microinches / 2.54 MIN. BRIGHT NICKEL OVER COPPER FLASH (OPTIONAL)
- 3) CONFORMS TO PRODUCT SPECIFICATION PS-70928.
- 4) PARTS PACKAGED PK-70873-0291.
- 5) THREAD GAUGE MAY REQUIRE UP TO 1 IN.-LB. OF TORQUE DURING GAUGING PROCESS.
- 6) PART COMPLIES WITH CLASS B OF COSMETIC SPECIFICATION PS-45499-002

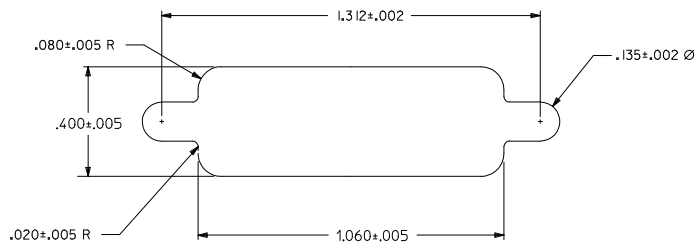


MOD PANEL CUT-OUT EC NO: UGP2012-0335 DRW: JORDAN CHK: POFF APPR: MILLER G REV	QUALITY SYMBOLS ∇=0 ∇=0 ∇=0	GENERAL TOLERANCES (UNLESS SPECIFIED) mm INCH 4 PLACES ± --- ± --- 3 PLACES ± --- ± .010 2 PLACES ± --- ± --- 1 PLACE ± --- ± --- 0 PLACE ± --- ± --- ANGULAR ±1/2° DRAFT WHERE APPLICABLE MUST REMAIN WITHIN DIMENSIONS	DIMENSION STYLE INCH ONLY DRAWN BY DATE MOS 1993/12/07 CHECKED BY DATE MOS 1993/12/07 APPROVED BY DATE CAB 1993/12/07	SCALE 4:1 DESIGN UNITS INCH THIRD ANGLE PROJECTION	TITLE .050 PITCH CKT LFH VERTICAL I/O - M3 SHIELD RECEPTACLE molex	MATERIAL NO. 70928-0002 DOCUMENT NO. SDA-70928-0002 SHEET NO. 1 OF 2
	DESCRIPTION MOD PANEL CUT-OUT	DATE 2011/08/11 2014/04/11 2014/05/17	DATE 1993/12/07 1993/12/07 1993/12/07	TITLE .050 PITCH CKT LFH VERTICAL I/O - M3 SHIELD RECEPTACLE	SHEET NO. 1 OF 2	THIS DRAWING CONTAINS INFORMATION THAT IS PROPRIETARY TO MOLEX INCORPORATED AND SHOULD NOT BE USED WITHOUT WRITTEN PERMISSION
	MOD PANEL CUT-OUT	2011/08/11	1993/12/07	.050 PITCH CKT LFH VERTICAL I/O - M3 SHIELD RECEPTACLE	1 OF 2	THIS DRAWING CONTAINS INFORMATION THAT IS PROPRIETARY TO MOLEX INCORPORATED AND SHOULD NOT BE USED WITHOUT WRITTEN PERMISSION
	MOD PANEL CUT-OUT	2014/04/11	1993/12/07	.050 PITCH CKT LFH VERTICAL I/O - M3 SHIELD RECEPTACLE	1 OF 2	THIS DRAWING CONTAINS INFORMATION THAT IS PROPRIETARY TO MOLEX INCORPORATED AND SHOULD NOT BE USED WITHOUT WRITTEN PERMISSION

Contact us: sales@integrated-circuit.com Website: www.integrated-circuit.com



RECOMMENDED P.C.B. LAYOUT
COMPONENT SIDE



RECOMMENDED PANEL CUT-OUT

SEE SHEET 1 EC NO: UCP2012-0335 DRAWN BY: 2011/08/11 CHKDRPOFF: 2014/04/11 APPR:SMILLER: 2014/05/12	QUALITY SYMBOLS ∇=0 ∇=0 ∇=0	GENERAL TOLERANCES (UNLESS SPECIFIED)		DIMENSION STYLE INCH ONLY		SCALE 4:1	DESIGN UNITS INCH	THIRD ANGLE PROJECTION	
			mm	INCH	DRAWN BY	DATE	TITLE		
		4 PLACES	±---	±---	MOS	1993/12/07	.050 PITCH CKT LFH VERTICAL I/O - M3 SHIELD RECEPTACLE molex		
		3 PLACES	±---	±.010	CHECKED BY	DATE			
2 PLACES	±---	±---	MOS	1993/12/07	MATERIAL NO. 70928-0002				
1 PLACE	±---	±---	APPROVED BY	DATE	DOCUMENT NO. SDA-70928-0002				
0 PLACE	±---	±---	CAB	1993/12/07	SHEET NO. 2 OF 2				
ANGULAR ±1/2°		THIS DRAWING CONTAINS INFORMATION THAT IS PROPRIETARY TO MOLEX INCORPORATED AND SHOULD NOT BE USED WITHOUT WRITTEN PERMISSION							
DRAFT WHERE APPLICABLE MUST REMAIN WITHIN DIMENSIONS									

