



Distributor of Molex Connector Corporation: Excellent Integrated System Limited
Datasheet of 0709282002 - D-Sub Connector Receptacle, Female Sockets 60 Position Panel
Mount, Through Hole, Right Angle Solder

Contact us: sales@integrated-circuit.com Website: www.integrated-circuit.com

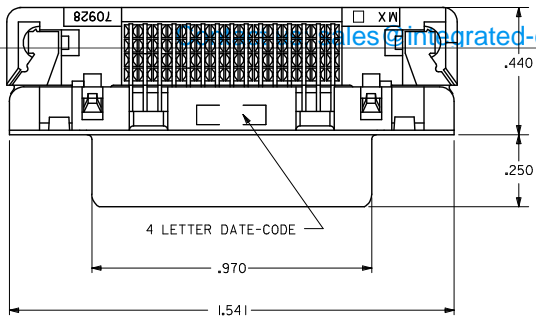
Excellent Integrated System Limited

Stocking Distributor

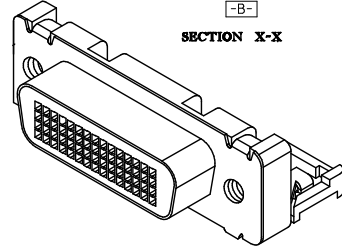
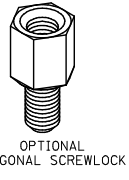
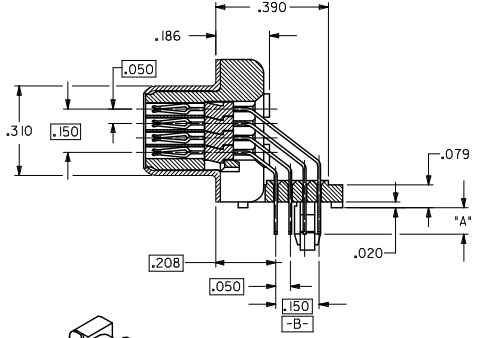
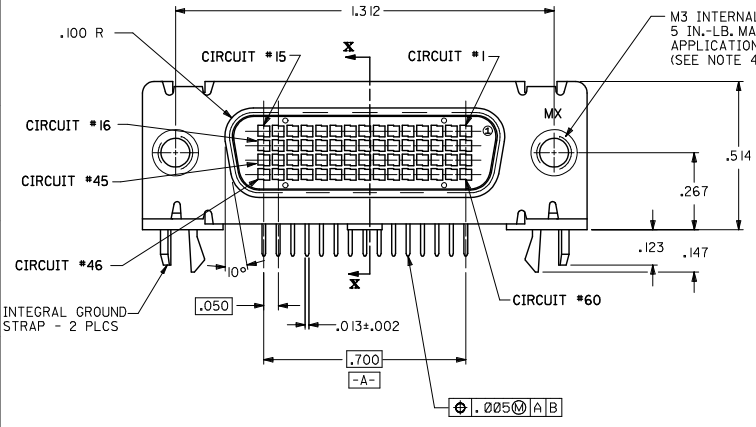
Click to view price, real time Inventory, Delivery & Lifecycle Information:

[Molex Connector Corporation](#)
[0709282002](#)

For any questions, you can email us directly:
sales@integrated-circuit.com



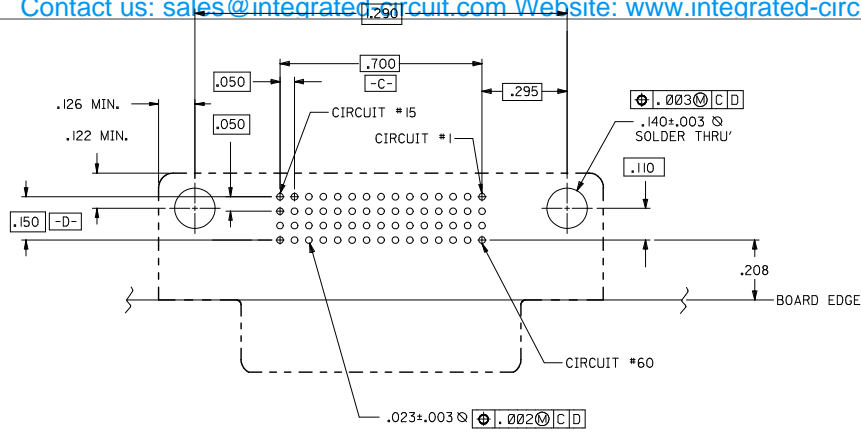
ITEM NUMBER	DIMENSION A	PLATING	HEXAGONAL SCREWLOCKS CONNECTORS	SCREWLOCK ITEM NUMBER (SEE 70982-****)	PACKAGED PER PACKAGING SPECIFICATION
70928-2000	.079±.010	30 GOLD	NO	---	PK-70873-0291
70928-2001	.092±.010	30 GOLD	NO	---	PK-70873-0291
70928-2002	.104±.010	30 GOLD	NO	---	PK-70873-0291
70928-2003	.079±.010	30 GOLD	YES	70982-1003; 4-40 INTERNAL THD	PK-70873-0686
70928-2005	.079±.010	30 GOLD	YES	70982-1004; M-3 INTERNAL THD	PK-70873-0686
70928-2007	.125±.010	30 GOLD	NO	---	PK-70873-0291
70928-2008	.092±.010	30 GOLD	YES	70982-1003; 4-40 INTERNAL THD	PK-70873-0686
70928-2009	.092±.010	GOLD FLASH	NO	---	PK-70873-0291
70928-2010	.092±.010	GOLD FLASH	YES	70982-1003; 4-40 INTERNAL THD	PK-70873-0686



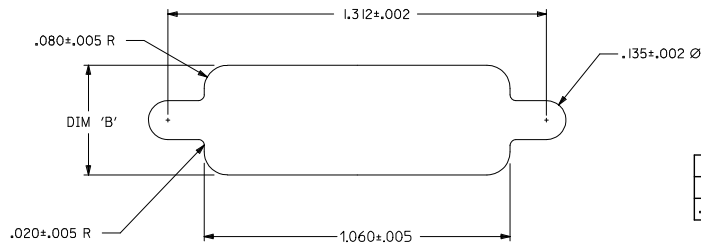
- NOTES:
 1) MATERIALS:
 HOUSING AND MOLDED STICK: GLASS FILLED POLYMER, 94V-0, COLOR BLACK.
 TERMINALS: COPPER ALLOY .010±.0005 THICK.
 OUTER SHELL: DEEP DRAWN STEEL, .016/(0.40) THICK.
 HEXAGONAL SCREWLOCK: STEEL.
 2) PLATING:
 TERMINALS (SEE CHART TO DETERMINE WHICH PART NUMBER HAS WHICH PLATING):
 30 GOLD -- 30 MICRONS/(0.76 MICROMETERS) MINIMUM SELECTIVE GOLD (Au)
 IN THE CONTACT AREA;
 100 MICRONS/(2.54 MICROMETERS) MINIMUM SELECTIVE TIN (Sn)
 IN PC TAIL AREA;
 OVER NICKEL (Ni) UNDERPLATE OVERALL.
 GOLD FLASH -- SELECTIVE GOLD (Au) FLASH IN THE CONTACT AREA;
 100 MICRONS/(2.54 MICROMETERS) MINIMUM SELECTIVE TIN (Sn)
 IN PC TAIL AREA;
 OVER NICKEL (Ni) UNDERPLATE OVERALL.
 OUTERSHELL: 150 MICRONS/(3.81 MICROMETERS) MINIMUM TIN (Sn)
 OVER 50 MICRONS/(1.27 MICROMETERS) MINIMUM NICKEL (Ni) OVERALL.
 3) CONFORMS TO PRODUCT SPECIFICATION PS-70928.
 4) THREAD GAGE MAY REQUIRE UP TO 1 IN.-LB. OF TORQUE DURING GAGING PROCESS.
 5) PART COMPLIES WITH CLASS B OF COSMETIC SPECIFICATION PS-45499-002

MOD PANEL CUT-OUT EC NO: UCP2012-0335 DRW: MORGAN 2/11/08/12 CHK: DHOFF 2/14/04/11 APP: SMILLER 2/14/05/12	QUALITY SYMBOLS ▽=0 ▽=0 ▽=0	GENERAL TOLERANCES (UNLESS SPECIFIED) mm INCH 4 PLACES ± .010 ± .0005 3 PLACES ± .025 ± .015 2 PLACES ± 0.38 ± .015 1 PLACE ± .076 ± .0075 0 PLACE ± .000 ± .0005	DIMENSION STYLE INCH ONLY	SCALE 4:1	DESIGN UNITS INCH	THIRD ANGLE PROJECTION	TITLE .050" PITCH LFH 60 CKT RIGHT ANGLE I/O RECEPTACLE	MATERIAL NO. SDA-70928-20**	DOCUMENT NO.	SHEET NO. 1 OF 2

Contact us: sales@integrated-circuit.com Website: www.integrated-circuit.com



COMPONENT SIDE
RECOMMENDED P.C.B. LAYOUT



RECOMMENDED PANEL CUT-OUT

DIM. 'B'	PANEL THICKNESS
.400±.005	.039
.420±.005	.064

SEE SHEET 1 EC NO: UCP2012-0335 DRAWN BY: DRWINDIRGAN 2/11/08/12 CHECKED BY: CHKDRPOFF 2/14/04/11 APPROVED BY: APPLRSMILLER 2/14/05/12 REV:	QUALITY SYMBOLS	GENERAL TOLERANCES (UNLESS SPECIFIED)	DIMENSION STYLE	SCALE	DESIGN UNITS	THIRD ANGLE PROJECTION																		
	$\nabla = 0$ $\nabla = 0$ $\nabla = 0$	<table border="1"> <thead> <tr> <th></th> <th>mm</th> <th>INCH</th> </tr> </thead> <tbody> <tr> <td>4 PLACES</td> <td>± .010</td> <td>± .004</td> </tr> <tr> <td>3 PLACES</td> <td>± .015</td> <td>± .006</td> </tr> <tr> <td>2 PLACES</td> <td>± 0.25</td> <td>± .010</td> </tr> <tr> <td>1 PLACE</td> <td>± 0.38</td> <td>± .015</td> </tr> <tr> <td>0 PLACE</td> <td>± .050</td> <td>± .020</td> </tr> </tbody> </table>		mm	INCH	4 PLACES	± .010	± .004	3 PLACES	± .015	± .006	2 PLACES	± 0.25	± .010	1 PLACE	± 0.38	± .015	0 PLACE	± .050	± .020	INCH ONLY	4:1	INCH	
		mm	INCH																					
	4 PLACES	± .010	± .004																					
3 PLACES	± .015	± .006																						
2 PLACES	± 0.25	± .010																						
1 PLACE	± 0.38	± .015																						
0 PLACE	± .050	± .020																						
ANGULAR ±1/2° DRAFT WHERE APPLICABLE MUST REMAIN WITHIN DIMENSIONS	<table border="1"> <thead> <tr> <th>DATE</th> <th>BY</th> </tr> </thead> <tbody> <tr> <td>1993/02/08</td> <td>MOS</td> </tr> <tr> <td>1993/02/08</td> <td>CAB</td> </tr> <tr> <td>1993/02/08</td> <td>CAB</td> </tr> </tbody> </table>	DATE	BY	1993/02/08	MOS	1993/02/08	CAB	1993/02/08	CAB	DRAWN BY: MOS CHECKED BY: CAB APPROVED BY: CAB MATERIAL NO. SEE TABLE	TITLE .050" PITCH LFH 60 CKT RIGHT ANGLE I/O RECEPTACLE molex DOCUMENT NO. SDA-70928-20**	SHEET NO. 2 OF 2												
DATE	BY																							
1993/02/08	MOS																							
1993/02/08	CAB																							
1993/02/08	CAB																							