

Excellent Integrated System Limited

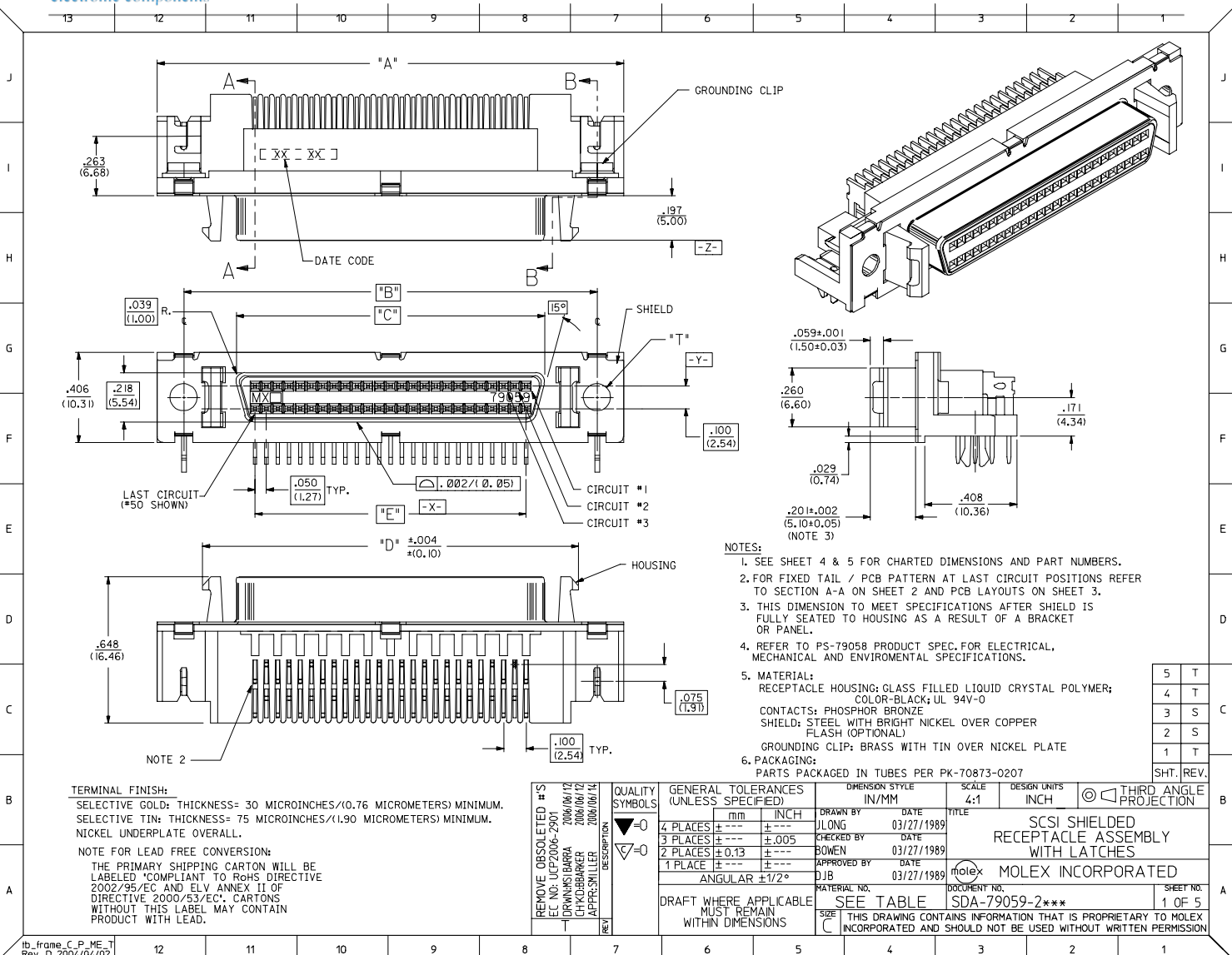
Stocking Distributor

Click to view price, real time Inventory, Delivery & Lifecycle Information:

[Molex Connector Corporation](#)
[79059-2702](#)

For any questions, you can email us directly:

sales@integrated-circuit.com



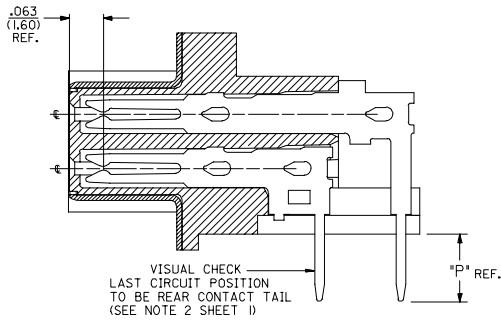
- NOTES:
1. SEE SHEET 4 & 5 FOR CHARTED DIMENSIONS AND PART NUMBERS.
 2. FOR FIXED TAIL / PCB PATTERN AT LAST CIRCUIT POSITIONS REFER TO SECTION A-A ON SHEET 2 AND PCB LAYOUTS ON SHEET 3.
 3. THIS DIMENSION TO MEET SPECIFICATIONS AFTER SHIELD IS FULLY SEATED TO HOUSING AS A RESULT OF A BRACKET OR PANEL.
 4. REFER TO PS-79058 PRODUCT SPEC. FOR ELECTRICAL, MECHANICAL AND ENVIRONMENTAL SPECIFICATIONS.
 5. MATERIAL:
RECEPTACLE HOUSING: GLASS FILLED LIQUID CRYSTAL POLYMER;
COLOR-BLACK; UL 94V-0
CONTACTS: PHOSPHOR BRONZE
SHIELD: STEEL WITH BRIGHT NICKEL OVER COPPER
FLASH (OPTIONAL)
GROUNDING CLIP: BRASS WITH TIN OVER NICKEL PLATE
 6. PACKAGING:
PARTS PACKAGED IN TUBES PER PK-70873-0207

5	T
4	T
3	S
2	S
1	T
SHT. REV.	

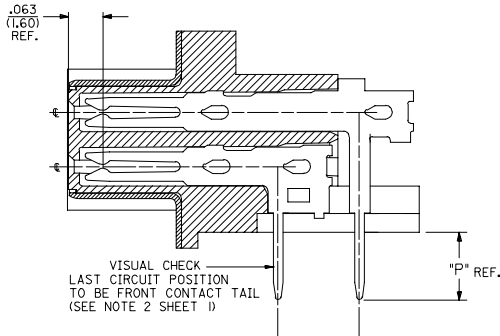
TERMINAL FINISH:
SELECTIVE GOLD: THICKNESS= 30 MICROINCHES/(0.76 MICROMETERS) MINIMUM.
SELECTIVE TIN: THICKNESS= 75 MICROINCHES/(1.90 MICROMETERS) MINIMUM.
NICKEL UNDERPLATE OVERALL.

NOTE FOR LEAD FREE CONVERSION:
THE PRIMARY SHIPPING CARTON WILL BE LABELED "COMPLIANT TO ROHS DIRECTIVE 2002/95/EC AND ELV ANNEX II OF DIRECTIVE 2000/53/EC". CARTONS WITHOUT THIS LABEL MAY CONTAIN PRODUCT WITH LEAD.

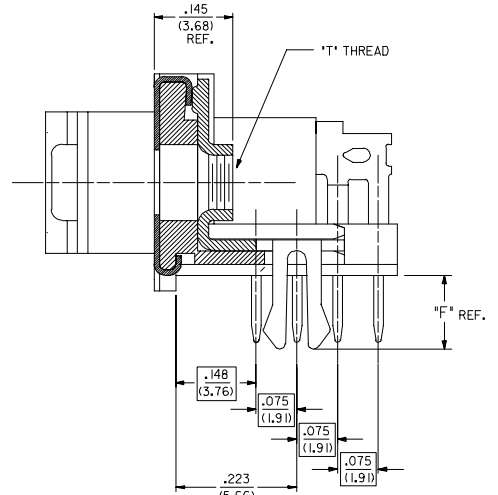
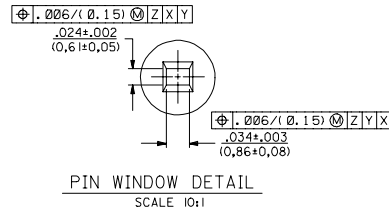
REMOVE OBSOLETE # S EC NO: UCF2006-2901 DRAWN BY: BARBRA 2006/06/12 CHK'D BY: BARKER 2006/06/12 APPROVED BY: MILLER 2006/06/14 REV. DESCRIPTION	QUALITY SYMBOLS ▽=0 ▽=0	GENERAL TOLERANCES (UNLESS SPECIFIED)	DIMENSION STYLE IN/MM	SCALE 4:1	DESIGN UNITS INCH	THIRD ANGLE PROJECTION	
	4 PLACES ±--- ±--- 3 PLACES ±--- ±.005 2 PLACES ±.013 ±--- 1 PLACE ±--- ±---	ANGULAR ±1/2°	DRAWN BY DATE JLONG 03/27/1989	TITLE SCSI SHIELDED RECEPTACLE ASSEMBLY WITH LATCHES			
	DRAFT WHERE APPLICABLE MUST REMAIN WITHIN DIMENSIONS	APPROVED BY DATE DJB 03/27/1989	MATERIAL NO. SEE TABLE	DOCUMENT NO. SDA-79059-2***	SHEET NO. 1 OF 5		



SECTION A-A
68 CIRCUIT TYPE II TAIL VERSION
50 CIRCUIT

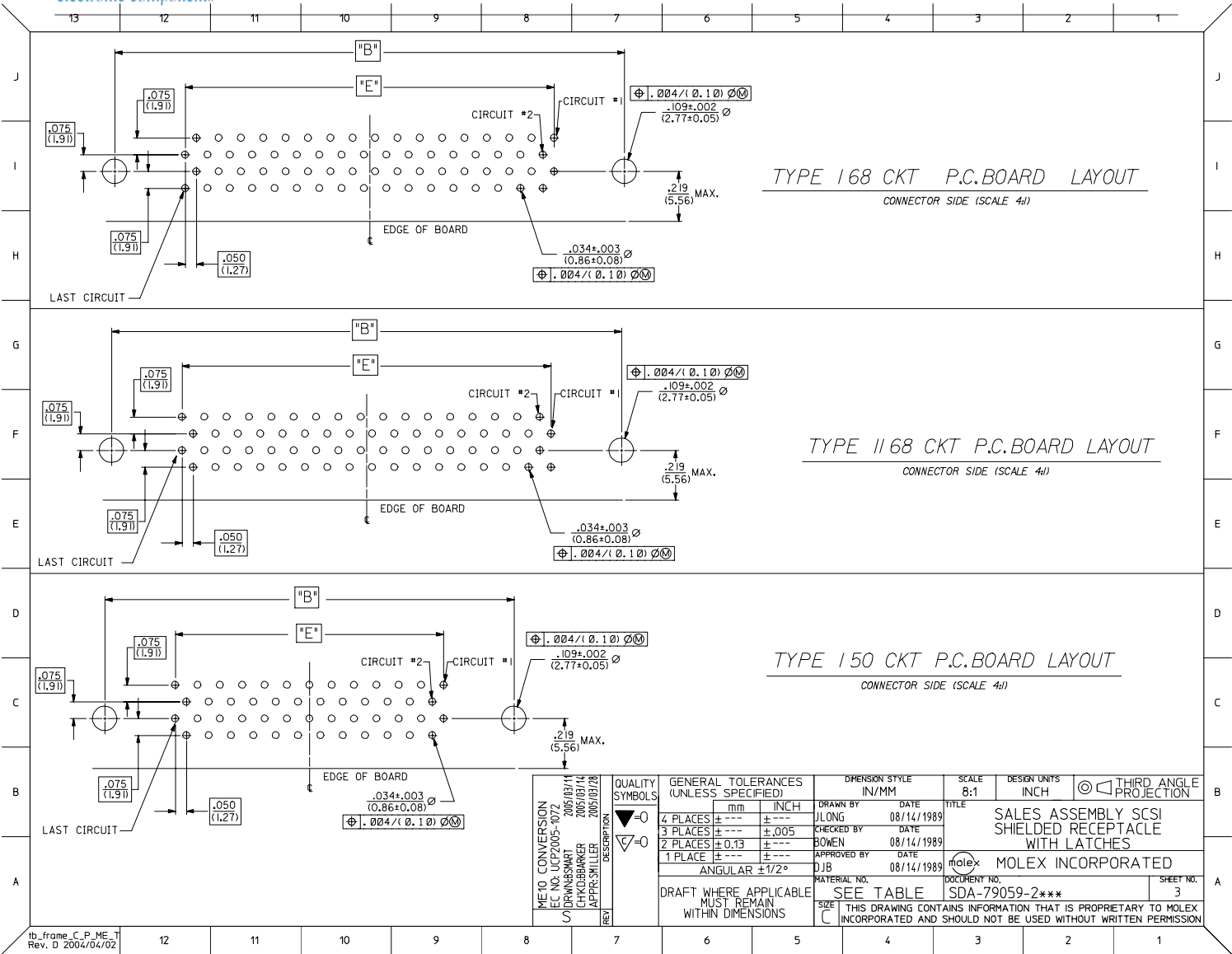


SECTION A-A
68 CIRCUIT TYPE I TAIL VERSION ONLY



SECTION B-B

CHG TYPE I & II DESC EC NO: UCF2005-1072 DRW: MBSMART CHK: DIBARKER APPR: SKILLER 2005/03/14 2005/03/14 2005/03/28	QUALITY SYMBOLS ▽=0 ▽=0	GENERAL TOLERANCES (UNLESS SPECIFIED)		DIMENSION STYLE IN/MM	SCALE 8:1	DESIGN UNITS INCH	THIRD ANGLE PROJECTION
		4 PLACES ±--- ±--- 3 PLACES ±--- ±.005 2 PLACES ±0.13 ±--- 1 PLACE ±--- ±---	mm INCH	DRAWN BY JLONG DATE 04/14/1989	TITLE SALES ASSEMBLY SCS1 SHIELDED RECEPTACLE WITH LATCHES		
		ANGULAR ±1/2°	APPROVED BY DJB DATE 04/14/1989	MATERIAL NO. SEE TABLE	DOCUMENT NO. SDA-79059-2***		
		DRAFT WHERE APPLICABLE MUST REMAIN WITHIN DIMENSIONS	SIZE C	THIS DRAWING CONTAINS INFORMATION THAT IS PROPRIETARY TO MOLEX INCORPORATED AND SHOULD NOT BE USED WITHOUT WRITTEN PERMISSION			



TYPE 168 CKT P.C.BOARD LAYOUT
CONNECTOR SIDE (SCALE 4:1)

TYPE 1168 CKT P.C.BOARD LAYOUT
CONNECTOR SIDE (SCALE 4:1)

TYPE 150 CKT P.C.BOARD LAYOUT
CONNECTOR SIDE (SCALE 4:1)

ME/CN CONVERSION EC NO: UCP2005-1072 DRAWN BY: CHK/DBARKER APPR: SKILLER DATE: 2005/03/14 DATE: 2005/03/28 DESCRIPTION:	QUALITY SYMBOLS	GENERAL TOLERANCES (UNLESS SPECIFIED)	DIMENSION STYLE IN/MM	SCALE 8:1	DESIGN UNITS INCH	THIRD ANGLE PROJECTION
	▽=0 ▽=0	4 PLACES ±.005 ±.005 3 PLACES ±.010 ±.005 2 PLACES ±.015 ±.005 1 PLACE ±.020 ±.005 ANGULAR ±1/2°	DRAWN BY: JLONG CHECKED BY: BOWEN APPROVED BY: DJB DATE: 08/14/1989 DATE: 08/14/1989 DATE: 08/14/1989	TITLE	SALES ASSEMBLY SCS1 SHIELDED RECEPTACLE WITH LATCHES	
	DRAFT WHERE APPLICABLE MUST REMAIN WITHIN DIMENSIONS	MATERIAL NO. SEE TABLE	DOCUMENT NO. SDA-79059-2***	MOLEX INCORPORATED		
	SIZE C	THIS DRAWING CONTAINS INFORMATION THAT IS PROPRIETARY TO MOLEX INCORPORATED AND SHOULD NOT BE USED WITHOUT WRITTEN PERMISSION				

TYPE II TAIL PATTERN

ASSEMBLIES WITH .078 DIAMETER END HOLES IN HOUSING AND #2-56 GND CLIPS

EDP/ITEM NUMBER	CKT. SIZE	HOUSING HOLE DIA.	DIM. T GND CLIP THREAD	DIM. A		DIM. B		DIM. C		DIM. D		DIM. E		DIM. F		DIM. P		RECMD PCB	
				INCH	MM	INCH	MM	INCH	MM	INCH	MM	INCH	MM	INCH	MM	INCH	MM	INCH	MM
015-87-6023	68	.078	2-56	2.515	63.88	2.280	57.91	1.816	46.13	2.115	53.72	1.650	41.91	.105	2.67	.125	3.18	.062	1.57
X	68	.078	2-56	2.515	63.88	2.280	57.91	1.816	46.13	2.115	53.72	1.650	41.91	.136	3.45	.125	3.18	.093	2.36

ASSEMBLIES WITH .105 DIAMETER END HOLES IN HOUSING AND #4-40 AND CUSTOM GND CLIPS

EDP/ITEM NUMBER	CKT. SIZE	HOUSING HOLE DIA.	DIM. T GND CLIP THREAD	DIM. A		DIM. B		DIM. C		DIM. D		DIM. E		DIM. F		DIM. P		RECMD PCB	
				INCH	MM	INCH	MM	INCH	MM	INCH	MM	INCH	MM	INCH	MM	INCH	MM	INCH	MM
015-87-6020	68	.105	4-40	2.515	63.88	2.280	57.91	1.816	46.13	2.115	53.72	1.650	41.91	.105	2.67	.125	3.18	.062	1.57
X	68	.105	4-40	2.515	63.88	2.280	57.91	1.816	46.13	2.115	53.72	1.650	41.91	.136	3.45	.125	3.18	.093	2.36

X- NOT TOOLED

TYPE I TAIL PATTERN

ASSEMBLIES WITH .078 DIAMETER END HOLES IN HOUSING AND #2-56 GND CLIPS

EDP/ITEM NUMBER	CKT. SIZE	HOUSING HOLE DIA.	DIM. T GND CLIP THREAD	DIM. A		DIM. B		DIM. C		DIM. D		DIM. E		DIM. F		DIM. P		RECMD PCB	
				INCH	MM	INCH	MM	INCH	MM	INCH	MM	INCH	MM	INCH	MM	INCH	MM	INCH	MM
79059-2900	68	.078	2-56	2.515	63.88	2.280	57.91	1.816	46.13	2.115	53.72	1.650	41.91	.105	2.67	.125	3.18	.062	1.57
X	50	.078	2-56	2.065	52.54	1.830	46.48	1.366	34.69	1.665	42.29	1.200	30.48	.136	3.45	.125	3.18	.093	2.36
015-87-6010	50	.078	2-56	2.065	52.54	1.830	46.48	1.366	34.69	1.665	42.29	1.200	30.48	.105	2.67	.125	3.18	.062	1.57

ASSEMBLIES WITH .105 DIAMETER END HOLES IN HOUSING AND #4-40 AND CUSTOM GND CLIPS

EDP/ITEM NUMBER	CKT. SIZE	HOUSING HOLE DIA.	DIM. T GND CLIP THREAD	DIM. A		DIM. B		DIM. C		DIM. D		DIM. E		DIM. F		DIM. P		RECMD PCB	
				INCH	MM	INCH	MM	INCH	MM	INCH	MM	INCH	MM	INCH	MM	INCH	MM	INCH	MM
X	50	.105	4-40	2.065	52.54	1.830	46.48	1.366	34.69	1.665	42.29	1.200	30.48	.136	3.45	.125	3.18	.093	2.36
015-87-6050	50	.105	4-40	2.065	52.54	1.830	46.48	1.366	34.69	1.665	42.29	1.200	30.48	.105	2.67	.125	3.18	.062	1.57

X- NOT TOOLED

NOTE: ASSEMBLIES LISTED ON THIS SHEET HAVE A SMALLER HOLE DIAMETER FOR INSERTION OF SCREWLOCKS USING A POWER DRIVER.

REMOVE OBSOLETE #S I.C. NO. UCF2006-2901 DRAWING BARRA 2006/06/12 CHK'D BARBER 2006/06/12 APPR: MILLER 2006/06/14	QUALITY SYMBOLS 	GENERAL TOLERANCES (UNLESS SPECIFIED)		DIMENSION STYLE IN/MM	SCALE ---	DESIGN UNITS INCH	THIRD ANGLE PROJECTION		
		4 PLACES ±--- ±--- 3 PLACES ±--- ±--- 2 PLACES ±--- ±--- 1 PLACE ±--- ±---	mm INCH	DRAWN BY DCB	DATE 08/15/1991	TITLE SALES ASSEMBLY SCS1 SHIELDED RECEPTACLE WITH LATCHES			
		ANGULAR ±1/2°		APPROVED BY CAB	DATE 08/15/1991	MOLEX INCORPORATED			
		DRAFT WHERE APPLICABLE MUST REMAIN WITHIN DIMENSIONS		MATERIAL NO. SEE TABLE	DOCUMENT NO. SDA-79059-2***	SHEET NO. 4			

TYPE II TAIL PATTERN

ASSEMBLIES WITH .120 DIAMETER END HOLES IN HOUSING AND #4-40 GND CLIPS

EDP/ITEM NUMBER	CKT. SIZE	HOUSING HOLE DIA.	DIM. T GND CLIP THREAD	DIM. A		DIM. B		DIM. C		DIM. D		DIM. E		DIM. F		DIM. P		REC'D PCB	
				INCH	MM	INCH	MM	INCH	MM	INCH	MM	INCH	MM	INCH	MM	INCH	MM	INCH	MM
79059-2702	68	.120	4-40	2.515	63.88	2.280	57.91	1.816	46.13	2.115	53.72	1.650	41.91	.105	2.67	.125	3.18	.062	1.57
X	68	.120	4-40	2.515	63.88	2.280	57.91	1.816	46.13	2.115	53.72	1.650	41.91	.136	3.45	.125	3.18	.093	2.36

ASSEMBLIES WITH .120 DIAMETER END HOLES IN HOUSING AND #2-56 AND CUSTOM GND CLIPS

X	68	.120	2-56	2.515	63.88	2.280	57.91	1.816	46.13	2.115	53.72	1.650	41.91	.105	2.67	.125	3.18	.062	1.57
X	68	.120	2-56	2.515	63.88	2.280	57.91	1.816	46.13	2.115	53.72	1.650	41.91	.136	3.45	.125	3.18	.093	2.36

X - NOT TOOLED

TYPE I TAIL PATTERN

ASSEMBLIES WITH .120 DIAMETER END HOLES IN HOUSING AND #4-40 GND CLIPS

EDP/ITEM NUMBER	CKT. SIZE	HOUSING HOLE DIA.	DIM. T GND CLIP THREAD	DIM. A		DIM. B		DIM. C		DIM. D		DIM. E		DIM. F		DIM. P		REC'D PCB	
				INCH	MM	INCH	MM	INCH	MM	INCH	MM	INCH	MM	INCH	MM	INCH	MM	INCH	MM
79059-2701	50	.120	4-40	2.065	52.54	1.830	46.48	1.366	34.69	1.665	42.29	1.200	30.48	.105	2.67	.125	3.18	.062	1.57
X	50	.120	4-40	2.065	52.54	1.830	46.48	1.366	34.69	1.665	42.29	1.200	30.48	.136	3.45	.125	3.18	.093	2.36

ASSEMBLIES WITH .120 DIAMETER END HOLES IN HOUSING AND #2-56 AND CUSTOM GND CLIPS

X	50	.120	2-56	2.065	52.54	1.830	46.48	1.366	34.69	1.665	42.29	1.200	30.48	.105	2.67	.125	3.18	.062	1.57
X	50	.120	2-56	2.065	52.54	1.830	46.48	1.366	34.69	1.665	42.29	1.200	30.48	.136	3.45	.125	3.18	.093	2.36

X - NOT TOOLED

NOTE: ASSEMBLIES LISTED ON THIS SHEET HAVE A LARGER HOLE DIAMETER FOR INSERTION OF SCREWLOCKS USING A MANUAL DRIVER.

REMOVE OBSOLETE #S IEC NO: UC27006-2901 DRAWING BARBARA 2006/06/12 CHK'D BARBARA 2006/06/12 APPR'S MILLER 2006/06/14 REV DESCRIPTION	QUALITY SYMBOLS	GENERAL TOLERANCES (UNLESS SPECIFIED)	DIMENSION STYLE IN/MM	SCALE ---	DESIGN UNITS INCH	THIRD ANGLE PROJECTION
	▽=0	4 PLACES ±--- ±---	mm	DRAWN BY JLONG DATE 01/28/1997	TITLE SALES ASSEMBLY SCS1 SHIELDED RECEPTACLE WITH LATCHES	MOLEX INCORPORATED
	▽=0	3 PLACES ±--- ±---	INCH	CHECKED BY JLONG DATE 01/28/1997		
		2 PLACES ±--- ±---		APPROVED BY DJB DATE 01/28/1997	MATERIAL NO. SEE TABLE	DOCUMENT NO. SDA-79059-2***
	1 PLACE ±--- ±---	ANGULAR ±1/2°		DRAFT WHERE APPLICABLE MUST REMAIN WITHIN DIMENSIONS THIS DRAWING CONTAINS INFORMATION THAT IS PROPRIETARY TO MOLEX INCORPORATED AND SHOULD NOT BE USED WITHOUT WRITTEN PERMISSION		