

Excellent Integrated System Limited

Stocking Distributor

Click to view price, real time Inventory, Delivery & Lifecycle Information:

[Orion Fans](#)
[OA406](#)

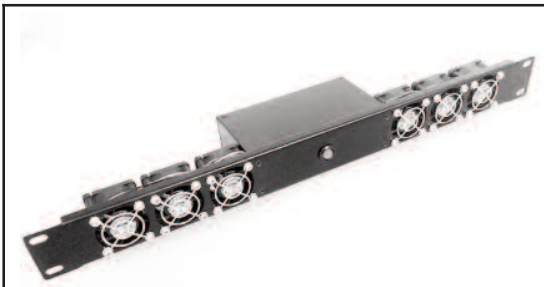
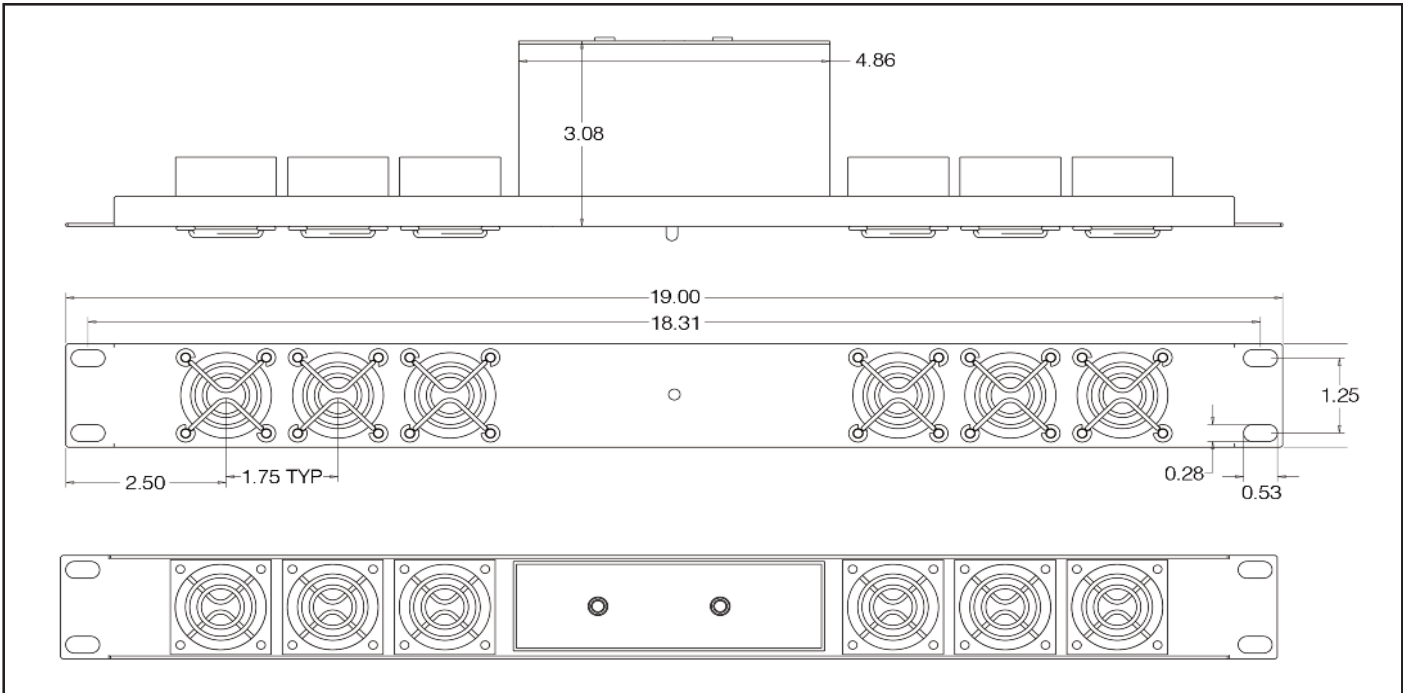
For any questions, you can email us directly:

sales@integrated-circuit.com



OA406 Fan Tray

Universal Input 90 - 264VAC



Switching AC/DC Adaptor - 12V
 Output Power: 60 Watts (Max load 5 A)
 Operating Temperature: -10C - +50C
 Storage Temperature: -40 ~ +85C

<p>Description</p>	<ul style="list-style-type: none"> • Universal 90-264VAC Input external power supply • 1U high, panel mount configuration • Either N. American NEMA 5-15P or IEC320-C14 connection • High Airflow 160CFM • Bi-color LED alarm indicator lamp • Optional redundant 2nd power supply available • Redundant power switching is seamless and automatic • Redundant power input may be from customers 12VDC supply • Sturdy 16 Ga Powder Coated Steel Construction
<p>Part Numbers</p>	<p>OA406: Power Input NEMA 5-15 plug OA406-IEC: C14 power supply plug OA406-DUAL: With redundant power supply OA406-IEC-DUAL: With redundant power supply, international version OA406-PS: Add-on power supply. Converts OA406 to DUAL OA406-IEC-PS: Add-on power supply. International version</p>