

Excellent Integrated System Limited

Stocking Distributor

Click to view price, real time Inventory, Delivery & Lifecycle Information:

[Molex Connector Corporation](#)
[0190472230](#)

For any questions, you can email us directly:

sales@integrated-circuit.com

ATP-201 Tooling Kit Permaseal™		
Application Tooling Specification Sheet		Order No. 19047-2230

SCOPE

Tooling: ATP Tooling Kits used with Molex ATP-201 Air Tape Press (19047-0001) or Taped Terminal Crimp Module (64016-2000) in TM-4000 press. Refer to the appropriate tool instruction manual for installation and operation information.

Products: Perma-Seal™ Butt Splice on Tape - 8 AWG Refer to the Product part number charts on this sheet for terminals with the barrel and tongue styles listed above.

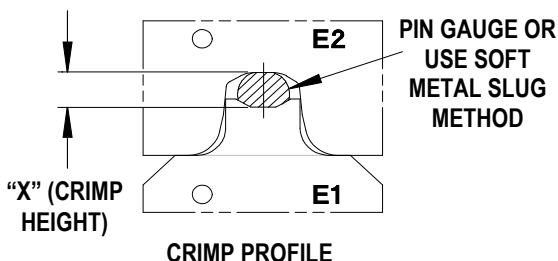
Testing

Mechanical

The tensile test or pull test is a means of evaluating the mechanical properties of the crimped connections. The following charts show the UL Specifications for various wire sizes. The tensile strength is shown in pounds and indicates the minimum acceptable force to break or separate the terminal from the conductor.

Color Code	Wire Size (AWG)	*UL - 486 A
Red	8	45

*UL - 486 A - Terminals (Copper Conductors only)



Use gauge pins or soft metal slug (solder) method to measure the "X" dimension. Verify tooling crimp height calibration by referring to the Go/No Go dimensions shown in the chart below.

Molex does not sell gauge pins contact your local industrial supplier.

Wire Range		"X" Dimension Conductor Crimp						Crimp Inspection Marking
		Mean		Go		No Go		
AWG	mm ²	In	mm	In	mm	In	mm	
8	10.00	.195	4.95	.190	4.83	.201	5.11	N/A

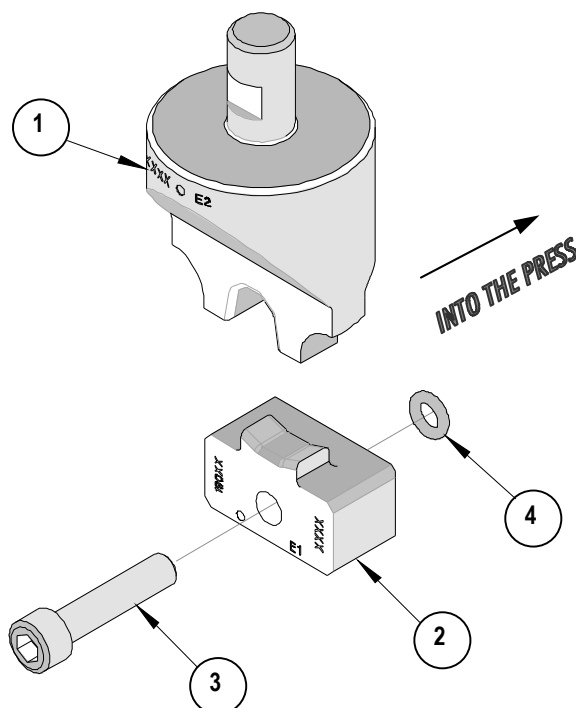
The following is a Partial List of the Product Part Numbers and their specifications that this tooling is designed to crimp. We will be adding to this list and an up to date copy is available on www.molex.com.

Wire Size: 8 AWG – 10.00 mm ²					
Terminal No.	Terminal Eng. No. (REF)	Wire Strip Length		Insulation Diameter Maximum	
		In	mm	In	mm
19164-1105	SD-354T	.387	9.83	.370	9.40

Parts List

Item	Order No.	Engineering No.	Description	Qty
	19047-2230	19047-2230	ATP-201 Tooling Kit	REF
1	19047-2232	19047-2232	Conductor Punch	1
2	19047-2231	19047-2231	Conductor Anvil	1
3	N/A	N/A	#10-32 by 1" Long SHCS	1**
4	N/A	N/A	O-ring 1/16 W. by 9/32" O.D.	1**

** The following purchased parts are available from an Industrial supply company such as MSC 1-800-645-7270.



Visit our Web site at <http://www.molex.com>