

Excellent Integrated System Limited

Stocking Distributor

Click to view price, real time Inventory, Delivery & Lifecycle Information:

[Molex Connector Corporation](#)
[0192900400](#)

For any questions, you can email us directly:

sales@integrated-circuit.com

Crimp Tool Kit for 3/0 AWG Imperium Plus Terminals

Crimp Tool Kit For Imperium Plus		
	Application Tooling Specification Sheet	Order No. 19290-0400

SCOPE

Tooling: Shank style Crimp Tool Kits are used with the Hydraulic Head Crimper with the Air/Hydraulic Pump (19286-1000). Refer to the appropriate tool instruction manual for installation and operation information.

Products: Imperium Plus Terminals to 3/0 AWG bare copper and pre-tinned copper wire.

NOTE: Different terminals are listed for 3/0 awg Bare Copper and Pre-Tinned Copper wire. Refer to the Product part number charts on this sheet for terminals.

Testing

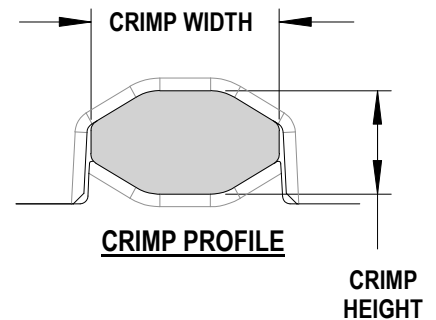
The tensile test or pull test is a means of evaluating the mechanical properties of the crimped connections. The following chart shows the specifications for the wire size. The tensile strength is shown in Newtons and (pounds) and indicates the minimum acceptable force to break or separate the terminal from the conductor.

Wire Size (AWG)	Minimum Pull (UL 486)
3/0	1558N (350 lbs.)

Crimp measurement

After crimping, the terminal crimp profiles should measure the following:

Terminal Series No.	Wire Size		Crimp Height (Ref)		Crimp Width (Ref)	
	AWG	Wire Style	mm	In.	mm	In.
171423 / 171562	3/0	Bare Copper	9.85-10.05	.388-.396	17.45-17.65	.687-.695
171423 / 171562	3/0	Pre-Tinned				



The following is a Partial List of the Product Part Numbers and their specifications that this tooling is designed to crimp. We will be adding to this list and an up to date copy is available on www.molex.com.

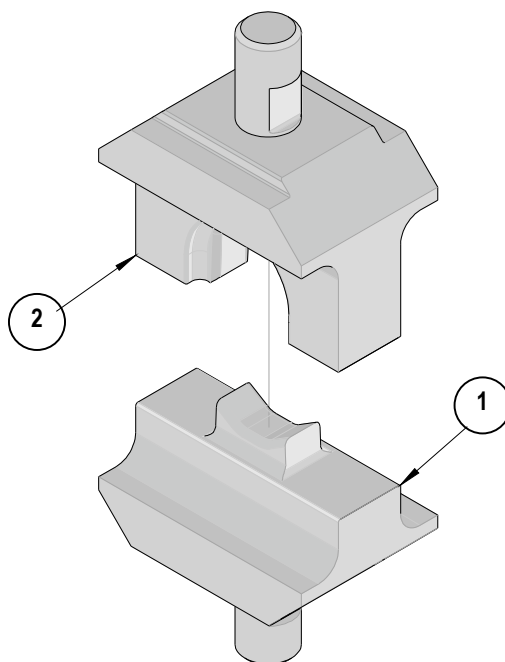
Terminal Series	Terminal No.	Wire Size (AWG)	Wire Strands / AWG	Wire Strip Length	
				In	mm
171423	171423-1002	3/0 (Bare)	1650 / 30	0.87	22
	171423-1102	3/0 (Pre-Tinned)	1672 / 30		
171562	171562-7001	3/0 (Bare)	1650 / 30		
	171562-7006	3/0 (Pre-Tinned)	1672 / 30		

CAUTION: Molex crimp specifications are valid only when used with Molex terminals and tooling.

Crimp Tool Kit for 3/0 AWG Imperium Plus Terminals

Parts List

Item	Order No.	Description	Qty
	19290-0400	Crimp Tooling Kit	REF
1	19290-0401	Conductor Anvil	1
2	19290-0027	Conductor Punch	1



Visit our Web site at <http://www.molex.com>