

## Excellent Integrated System Limited

Stocking Distributor

Click to view price, real time Inventory, Delivery & Lifecycle Information:

[Molex Connector Corporation](#)

[0622018826](#)

For any questions, you can email us directly:

[sales@integrated-circuit.com](mailto:sales@integrated-circuit.com)

Impact™ Backplane Press-In Tool

<b>Impact™ Backplane Module Installation Press-In Tool</b>		
	<b>Application Tooling Specification Sheet</b>	
		<b>Order No. 62201-8826</b>

**FEATURES**

- Polarized tool prevents product damage
- Tool provides uniform distribution of press force across entire pin array
- May be used as a stand-alone tool or mounted in an optional holder with other Molex press-in tools

**SCOPE**

Products: Impact™ 85 Ohm Backplane Assembly, (4-Pair by 16 Column Assemblies). See Product List below for specific part numbers.

**Product List**

The following is a partial list of the product order numbers and their specifications this tool is designed to run. Updates to this list are available on [www.molex.com](http://www.molex.com).

Series No.	Guide Style	Columns	Assembly Order Number					
			170332-0007	170332-0009	170332-0010	170332-0011	170332-0013	170332-0025
170332	Custom	16	170332-0007	170332-0009	170332-0010	170332-0011	170332-0013	170332-0025
			170332-0026					
170335	Unguided	16	170335-1603	170335-1604	170335-1605	170335-1606	170335-1607	170335-1608
			170335-1613	170335-1614	170335-1615	170335-1616	170335-1617	170335-1618
			170335-1623	170335-1624	170335-1625	170335-1626	170335-1627	170335-1628
			170335-1633	170335-1634	170335-1635	170335-1636	170335-1637	170335-1638
	Left	16	170335-3613	170335-3614	170335-3615	170335-3616	170335-3617	170335-3618
			170335-3623	170335-3624	170335-3625	170335-3626	170335-3627	170335-3628
			170335-3633	170335-3634	170335-3635	170335-3636	170335-3637	170335-3638
			170335-3643	170335-3644	170335-3645	170335-3646	170335-3647	170335-3648
			170335-3653	170335-3654	170335-3655	170335-3656	170335-3657	170335-3658
			170335-3663	170335-3664	170335-3665	170335-3666	170335-3667	170335-3668
			170335-3673	170335-3674	170335-3675	170335-3676	170335-3677	170335-3678
			170335-3683	170335-3684	170335-3685	170335-3686	170335-3687	170335-3688
	Right	16	170335-7613	170335-7614	170335-7615	170335-7616	170335-7617	170335-7618
			170335-7623	170335-7624	170335-7625	170335-7626	170335-7627	170335-7628
			170335-7633	170335-7634	170335-7635	170335-7636	170335-7637	170335-7638
			170335-7643	170335-7644	170335-7645	170335-7646	170335-7647	170335-7648
			170335-7653	170335-7654	170335-7655	170335-7656	170335-7657	170335-7658
			170335-7663	170335-7664	170335-7665	170335-7666	170335-7667	170335-7668
			170335-7673	170335-7674	170335-7675	170335-7676	170335-7677	170335-7678
			170335-7683	170335-7684	170335-7685	170335-7686	170335-7687	170335-7688
			170335-5613	170335-5614	170335-5615	170335-5616	170335-5617	170335-5618
			170335-5623	170335-5624	170335-5625	170335-5626	170335-5627	170335-5628
			170335-5633	170335-5634	170335-5635	170335-5636	170335-5637	170335-5638
			170335-5643	170335-5644	170335-5645	170335-5646	170335-5647	170335-5648
			170335-5653	170335-5654	170335-5655	170335-5656	170335-5657	170335-5658

Impact™ Backplane Press-In Tool

Series No.	Guide Style	Columns	Assembly Order Number							
170335	Right	16	170335-5663	170335-5664	170335-5665	170335-5666	170335-5667	170335-5668		
			170335-5673	170335-5674	170335-5675	170335-5676	170335-5677	170335-5678		
			170335-5683	170335-5684	170335-5685	170335-5686	170335-5687	170335-5688		
			170335-9603	170335-9604	170335-9605	170335-9606	170335-9607	170335-9608		
			170335-9613	170335-9614	170335-9615	170335-9616	170335-9617	170335-9618		
			170335-9623	170335-9624	170335-9625	170335-9626	170335-9627	170335-9628		
			170335-9633	170335-9634	170335-9635	170335-9636	170335-9637	170335-9638		
			170335-9643	170335-9644	170335-9645	170335-9646	170335-9647	170335-9648		
			170335-9653	170335-9654	170335-9655	170335-9656	170335-9657	170335-9658		
			170335-9663	170335-9664	170335-9665	170335-9666	170335-9667	170335-9668		
			170335-9673	170335-9674	170335-9675	170335-9676	170335-9677	170335-9678		
			170335-9683	170335-9684	170335-9685	170335-9686	170335-9687	170335-9688		
			170335-9603	170335-9604	170335-9605	170335-9606	170335-9607	170335-9608		
			170515	Unguided	16	170515-1603	170515-1604	170515-1605	170515-1606	170515-1607
170515-1613	170515-1614	170515-1615				170515-1616	170515-1617	170515-1618		
170515-1623	170515-1624	170515-1625				170515-1626	170515-1627	170515-1628		
170515-1633	170515-1634	170515-1635				170515-1636	170515-1637	170515-1638		
Left	16	170515-3603		170515-3604	170515-3605	170515-3606	170515-3607	170515-3608		
		170515-3613		170515-3614	170515-3615	170515-3616	170515-3617	170515-3618		
		170515-3623		170515-3624	170515-3625	170515-3626	170515-3627	170515-3628		
		170515-3633		170515-3634	170515-3635	170515-3636	170515-3637	170515-3638		
		170515-3643		170515-3644	170515-3645	170515-3646	170515-3647	170515-3648		
		170515-3653		170515-3654	170515-3655	170515-3656	170515-3657	170515-3658		
		170515-3663		170515-3664	170515-3665	170515-3666	170515-3667	170515-3668		
		170515-3673		170515-3674	170515-3675	170515-3676	170515-3677	170515-3678		
		170515-3683		170515-3684	170515-3685	170515-3686	170515-3687	170515-3688		
		170515-7603		170515-7604	170515-7605	170515-7606	170515-7607	170515-7608		
		170515-7613		170515-7614	170515-7615	170515-7616	170515-7617	170515-7618		
		170515-7623		170515-7624	170515-7625	170515-7626	170515-7627	170515-7628		
		170515-7633		170515-7634	170515-7635	170515-7636	170515-7637	170515-7638		
		170515-7643		170515-7644	170515-7645	170515-7646	170515-7647	170515-7648		
		170515-7653		170515-7654	170515-7655	170515-7656	170515-7657	170515-7658		
		170515-7663		170515-7664	170515-7665	170515-7666	170515-7667	170515-7668		
		170515-7673		170515-7674	170515-7675	170515-7676	170515-7677	170515-7678		
		170515-7683		170515-7684	170515-7685	170515-7686	170515-7687	170515-7688		
		Right		16	170515-5603	170515-5604	170515-5605	170515-5606	170515-5607	170515-5608
					170515-5613	170515-5614	170515-5615	170515-5616	170515-5617	170515-5618
					170515-5623	170515-5624	170515-5625	170515-5626	170515-5627	170515-5628
					170515-5633	170515-5634	170515-5635	170515-5636	170515-5637	170515-5638
					170515-5643	170515-5644	170515-5645	170515-5646	170515-5647	170515-5648
					170515-5653	170515-5654	170515-5655	170515-5656	170515-5657	170515-5658
170515-5663	170515-5664				170515-5665	170515-5666	170515-5667	170515-5668		
170515-5673	170515-5674				170515-5675	170515-5676	170515-5677	170515-5678		
170515-5683	170515-5684				170515-5685	170515-5686	170515-5687	170515-5688		
170515-9603	170515-9604				170515-9605	170515-9606	170515-9607	170515-9608		
170515-9613	170515-9614				170515-9615	170515-9616	170515-9617	170515-9618		
170515-9623	170515-9624				170515-9625	170515-9626	170515-9627	170515-9628		
170515-9633	170515-9634				170515-9635	170515-9636	170515-9637	170515-9638		
170515-9643	170515-9644				170515-9645	170515-9646	170515-9647	170515-9648		
170515-9653	170515-9654				170515-9655	170515-9656	170515-9657	170515-9658		
170515-9663	170515-9664				170515-9665	170515-9666	170515-9667	170515-9668		
170515-9673	170515-9674				170515-9675	170515-9676	170515-9677	170515-9678		
170515-9683	170515-9684				170515-9685	170515-9686	170515-9687	170515-9688		

## Impact™ Backplane Press-In Tool

### Tool Setup

Depending on the number of connectors to be installed and/or the press used, this tool can be used alone or with a group of press-in tools, mounted in a 62201-95XX rail (ordered separately). See Figure 1.

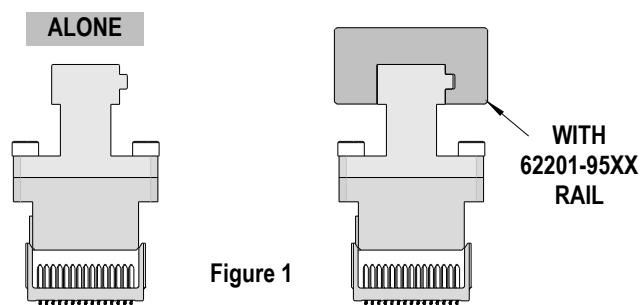


Figure 1

### Tool Installation

The 62201-95XX rail is available in a variety of lengths to accommodate multiple press-in tools.

Rail Part Number	Rail Overall Length
62201-9501	24mm (0.94 in)
62201-9502	72mm (2.83 in)
62201-9503	156mm (6.14 in)
62201-9504	216mm (8.50 in)
62201-9509	254mm (10.0 in)
62201-9511	305mm (12.0 in)

Reference: This Press-In Tool is 30.25mm (1.19 in.) long.

### Printed Circuit Board (PCB) Support

The Impact™ connectors require up to 3.6kg (8 lb) of force per pin to press into the PCB. To prevent excessive PCB flexure and/or damage to the PCB, a support plate is strongly recommended directly beneath the connector hole pattern.

Due to the custom nature of every application, Molex does not offer any PCB support plate. The customer must furnish their own support plate.

When creating the PCB support plate, remember to allow clearance for the connector pins as they pass through the PCB thickness.

### Press Equipment Recommendations

Many types of presses can be used to install Impact™ connectors, but to assure consistent connector installation Molex recommends the following press criteria:

1. The capability to detect force variations as low as 4.5kg (10 lb) during the press-in cycle; excessive force measurements should stop the press-in cycle.
2. The rate of pressing can be regulated as low as 0.13mm (0.005 in) per second.
3. Press stroke control to within 0.25mm (0.010 in).
4. Total press stroke must be at least 19mm (0.75 in).
5. For statistical purposes, automatic collection of force and distance data.

Impact™ Backplane Press-In Tool

**Tool Operation**

1. Insert by hand the backplane signal module assembly (s) carefully into the PCB hole pattern. Make sure the connector(s) are oriented properly by confirming the location of the #1 circuit notch with respect to the PCB layout.
2. Insert the Press-In Tool making sure that the notch in this tool is inserted into the slot on top of the connector housing of the backplane signal module assembly. See Figure 2.
3. Using the application tool and an appropriate press, seat the header assembly until there is less than 0.10mm (0.004 in) clearance between the bottom of the plastic housing and the surface of the PCB. See Figure 3.

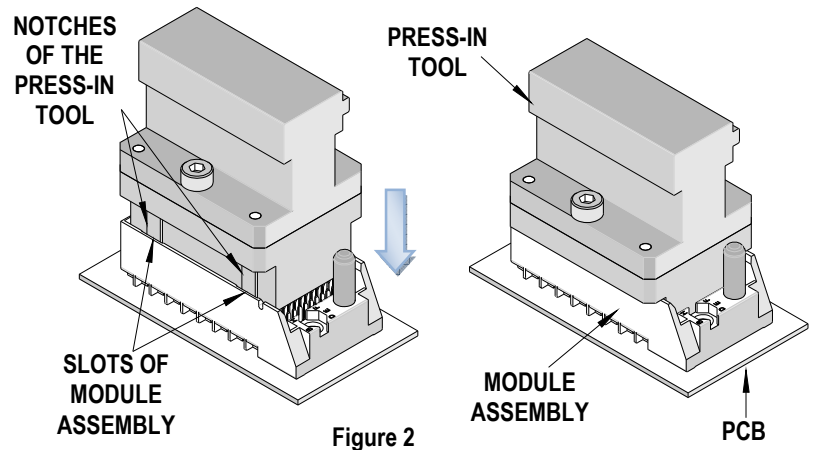


Figure 2

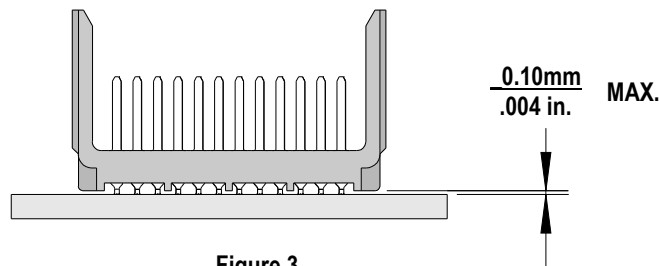


Figure 3

There should be no broken stand-offs along the perimeter of the part (an indication of over-pressing).

**CAUTION:** To prevent injury, never operate any press without the guards in place. Refer to the press manufacturer's instruction manual.

**CAUTION:** Molex application tooling specifications are valid only when used with Molex connectors and tooling.

**Contact Information**

For more information on Molex application tooling please contact Molex at 1-800-786-6539.

Visit our Web site at <http://www.molex.com>