

## Excellent Integrated System Limited

Stocking Distributor

Click to view price, real time Inventory, Delivery & Lifecycle Information:

[Molex Connector Corporation](#)  
[0622018850](#)

For any questions, you can email us directly:

[sales@integrated-circuit.com](mailto:sales@integrated-circuit.com)

Impact™ Backplane Press-In Tool

<p><b>Impact™ Backplane Module Installation Press-In Tool</b></p>		
	<p><b>Application Tooling Specification Sheet</b></p>	
		<p><b>Order No. 62201-8850</b></p>

**FEATURES**

- Tool provides uniform distribution of press force across entire pin array
- May be used as a stand-alone tool or mounted in an optional holder with other Molex press-in tools

**SCOPE**

Products: Impact™ 85 Ohms Plus Orthogonal Backplane Signal Module Assembly, 171415 Series, (6-Pair by 12 Column Assemblies). See Product List below for specific part numbers.

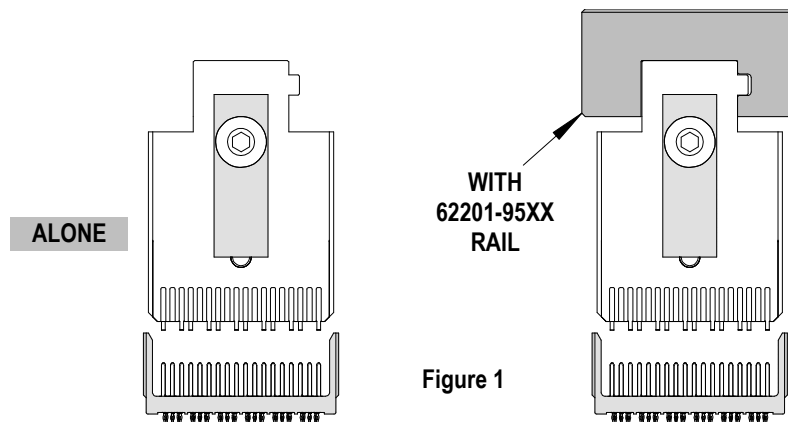
**Product List**

The following is a partial list of the product order numbers and their specifications this tool is designed to run. Updates to this list are available on [www.molex.com](http://www.molex.com).

171415 Series Numbers							
Guide Style	Columns	Assembly Order Number					
Open Wall	12	171415-0204	171415-0205	171415-0207	171415-0208	171415-1204	171415-1205
		171415-1207	171415-1208				
Dual End	12	171415-0224	171415-0225	171415-0227	171415-0228	171415-1224	171415-1225
		171415-1227	171415-1228				

**Tool Setup**

Depending on the number of connectors to be installed and/or the press used, this tool can be used alone or with a group of press-in tools, mounted in a 62201-95XX rail (ordered separately). See Figure 1.



## Impact™ Backplane Press-In Tool

### Tool Installation

The 62201-95XX rail is available in a variety of lengths to accommodate multiple press-in tools.

Rail Part Number	Rail Overall Length
62201-9501	24mm (0.94 in)
62201-9502	72mm (2.83 in)
62201-9503	156mm (6.14 in)
62201-9504	216mm (8.50 in)
62201-9509	254mm (10.0 in)
62201-9511	305mm (12.0 in)

Reference: This Press-In Tool is 25.0mm (0.98in.) long.

### Printed Circuit Board (PCB) Support

The Impact™ connectors require up to 3.6kg (8 lb) of force per pin to press into the PCB. To prevent excessive PCB flexure and/or damage to the PCB, a support plate is strongly recommended directly beneath the connector hole pattern.

Due to the custom nature of every application, Molex does not offer any PCB support plate. The customer must furnish their own support plate.

When creating the PCB support plate, remember to allow clearance for the connector pins as they pass through the PCB thickness.

### Press Equipment Recommendations

Many types of presses can be used to install Impact™ connectors, but to assure consistent connector installation Molex recommends the following press criteria:

1. The capability to detect force variations as low as 4.5kg (10 lb) during the press-in cycle; excessive force measurements should stop the press-in cycle.
2. The rate of pressing can be regulated as low as 0.13mm (0.005 in) per second.
3. Press stroke control to within 0.25mm (0.010 in).
4. Total press stroke must be at least 19mm (0.75 in).
5. For statistical purposes, automatic collection of force and distance data.

Impact™ Backplane Press-In Tool

**Tool Operation**

1. Insert by hand the backplane signal module assembly (s) carefully into the PCB hole pattern. Make sure the connector(s) are oriented properly by confirming the location of the #1 circuit notch with respect to the PCB layout.
2. Insert the Press-In Tool making sure that the notch in this tool is inserted into the slot on the connector housing. See Figure 2.
3. Using the application tool and an appropriate press, seat the header assembly until there is less than 0.10mm (0.004 in) clearance between the bottom of the plastic housing and the surface of the PCB. See Figure 3.

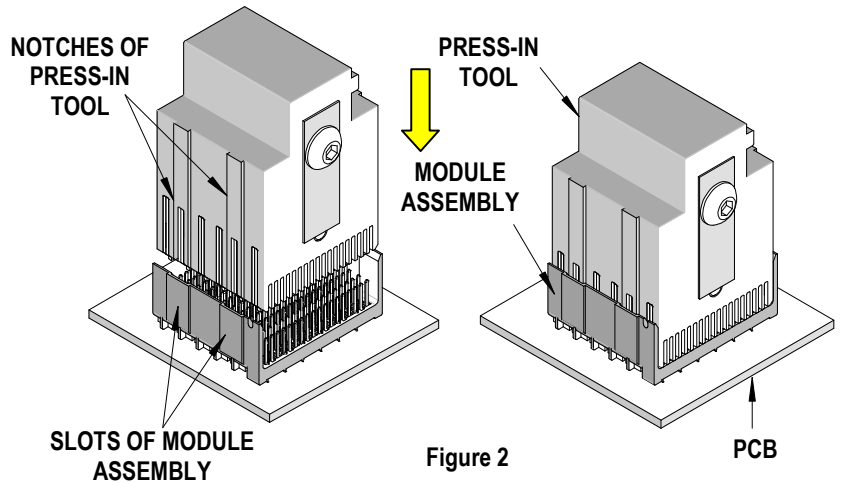


Figure 2

There should be no broken stand-offs along the perimeter of the part (an indication of over-pressing).

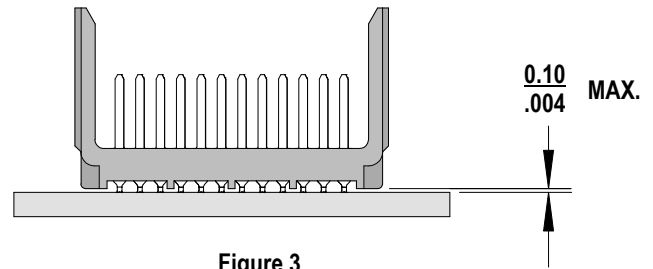


Figure 3

**CAUTION:** To prevent injury, never operate any press without the guards in place. Refer to the press manufacturer's instruction manual.

**CAUTION:** Molex application tooling specifications are valid only when used with Molex connectors and tooling.

**Contact Information**

For more information on Molex application tooling please contact Molex at 1-800-786-6539.

Visit our Web site at <http://www.molex.com>