

## Excellent Integrated System Limited

Stocking Distributor

Click to view price, real time Inventory, Delivery & Lifecycle Information:

[Molex Connector Corporation](#)  
[0622018904](#)

For any questions, you can email us directly:

[sales@integrated-circuit.com](mailto:sales@integrated-circuit.com)

Backplane Header Removal Tool

<b>IMPEL Backplane Removal Tool</b>	<b>Application Tooling Specification Sheet</b>	<b>Order No. 62201-8904</b>
---------------------------------------------	----------------------------------------------------	-----------------------------

**FEATURES**

- Universal tool used for removal IMPEL backplane headers
- Removes connector without damage to the PCB
- Use tool 62100-9630 for inserting 3 pair by 8 column connector assemblies

**SCOPE**

Products: IMPEL 3 Pair (1.9mm pitch) backplane headers. See Product List below for order numbers.

**Product List**

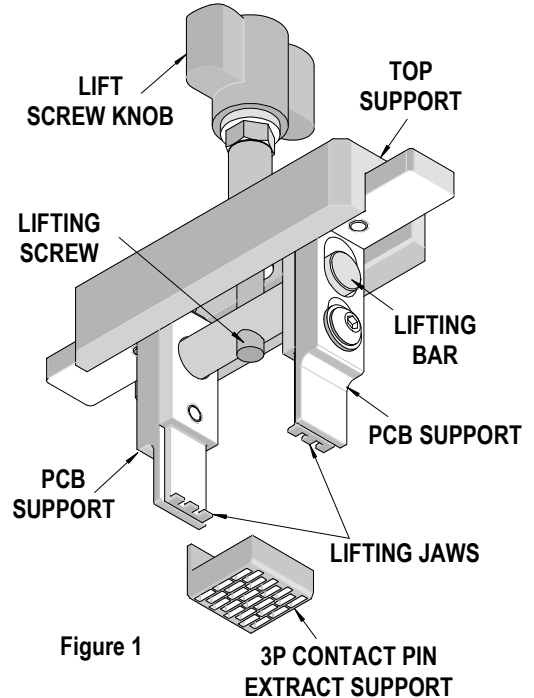
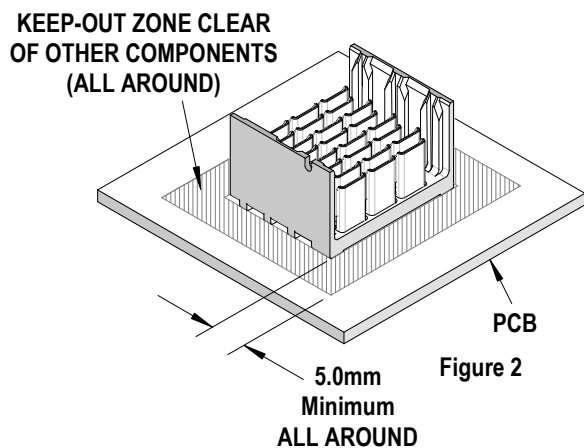
The following is a partial list of the product order numbers and their specifications this tool is designed to run. Updates to this list are available on [www.molex.com](http://www.molex.com).

Series No.	Column	Guide Style	Backplane Header Order No.	
171335	8	Unguided	171335-1804	171335-1805

**DESCRIPTION**

Figure 1 illustrates the principal parts of the removal tool.

**Tool Restrictions**



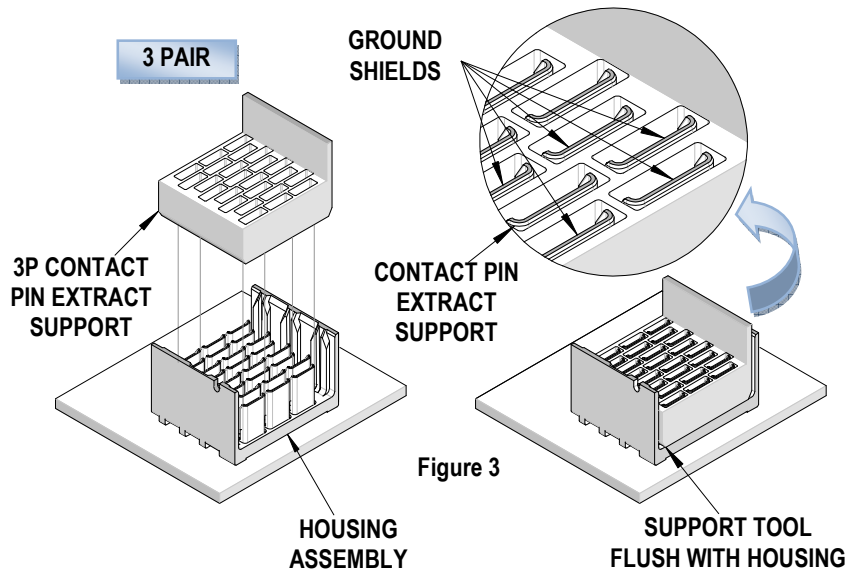
In order for this tool to function, there is a "Keep-Out Zone" of .197" (5.00mm) around the header that needs to be clear of other components. See Figure 2. This is a general requirement, regardless of the header being removed.

Backplane Header Removal Tool

**Note:** Be sure that all parts of the removal tool will clear any components on the printed circuit board during use. Tape may also be placed over circuit traces or on the bottom of the PCB Support for added protection of the printed circuit board.

**Before Using the Removal Tool**

Place the contact pin extract support tool inside the backplane assembly; make sure all the ground shields are inside the windows of the contact tool. The extract support tool should be resting on the bottom surface of the housing assembly. See Figure 3.

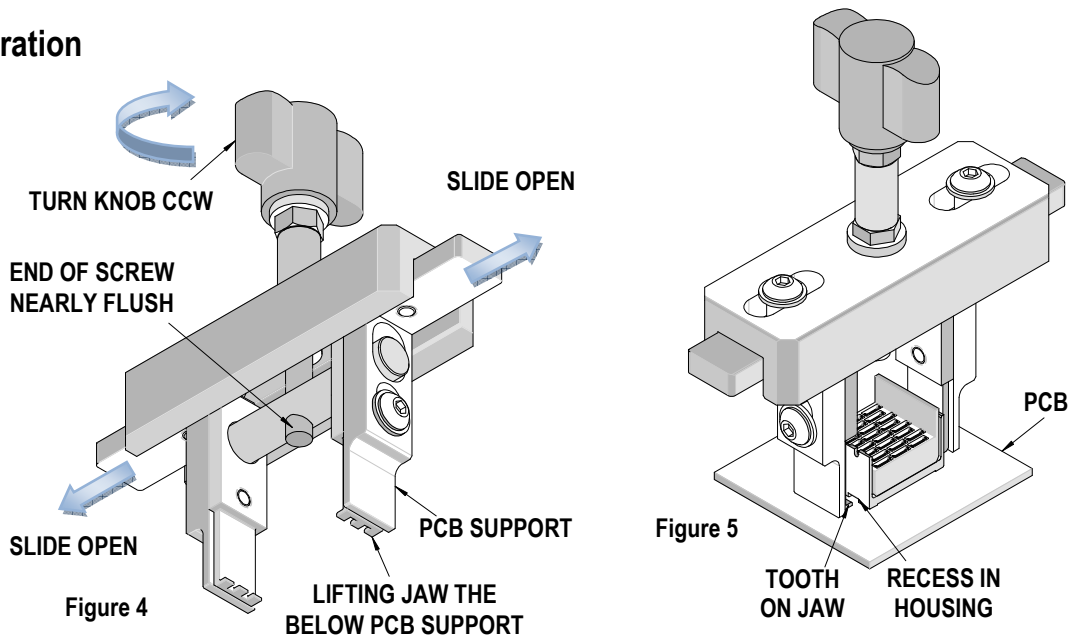


The contact pin extract support tool for the 3 pair can be purchased separately from Molex order number 62201-8901.

**Warning:** Failure to have the contact tool seated in the correct position will result in a partial assembly extraction.

**Note:** Be sure that all parts of the removal tool will clear any components on the printed circuit board during use. Tape may also be placed over circuit traces or on the bottom of the PCB Support for added protection of the printed circuit board.

**Tool Operation**



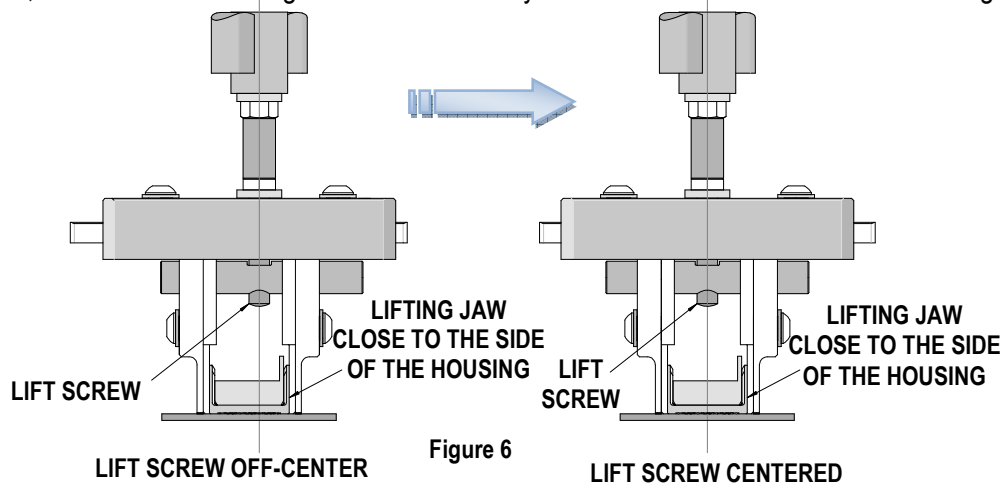
**Note:** Some longer-length headers may need the following steps repeated, with the tool being re-applied along the length of the assembly

Backplane Header Removal Tool

1. Slide the PCB Supports and Lifting Jaws fully open. See Figure 4. Turn the Lifting Screw Knob counter-clockwise (CCW) until the Lifting Jaws are slightly below the PCB Supports. At this point, the end of the Lifting Screw will be nearly flush with the bottom of the Lifting Bar.
2. Move the tool down over the outside walls of the backplane housing. Note that the jaws have “teeth” that engage the recessed area of the housing (near the PCB surface). See Figure 5.

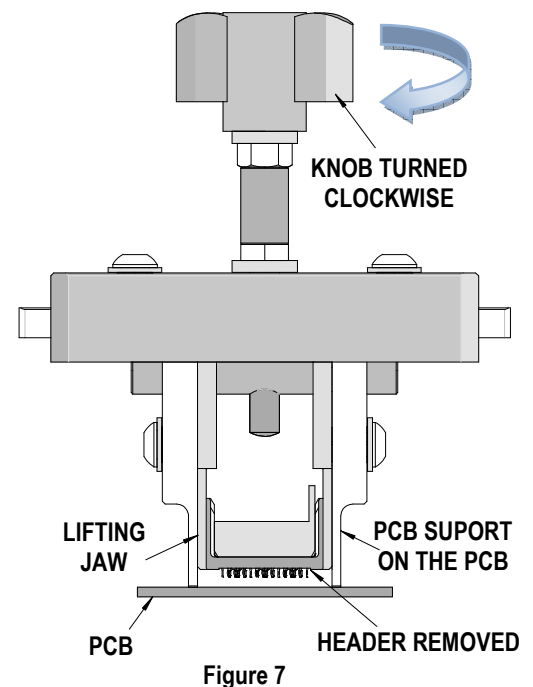
**Note:** The lifting jaws must engage the recesses in the housing so it can be lifted off the PCB.

3. Close the Lifting Jaws onto the backplane header housing. When the teeth are properly engaged in the recesses, the inside of the Lifting Jaws should be very close to the sides of the header housing. See Figure 6.



4. Ideally, the Lift Screw should be centered on the width of the backplane assembly. This will prevent the header assembly from tilting as it is removed from the PCB. If the screw is off-center, the top of the tool (screw, Lifting Bar, and Top Support) can be slid over until centered. See Figure 6.
5. Turn the Lift Screw Knob clockwise (CW) until the PCB Supports contact the printed circuit board.
6. Continue turning the Lift Screw Knob clockwise (CW) until the backplane header is removed from the printed circuit board. See Figure 7.
7. Move the extraction tool away from the printed circuit board. Slide the PCB Supports and Lifting Jaws open to release the header from the tool. Discard the header.

**Note:** After the backplane header is removed from the PCB, some terminals or shield blades may be left in the PCB. This is not a tooling malfunction. If there are terminals left in the PCB use a pair of long nose pliers to remove them carefully so no damage is caused to the PCB. Caution is required when using this method; if a terminal is incorrectly gripped or pulled away at an angle, it could break off inside the PCB hole. After terminals are pulled out of the PCB, they should be discarded. The PCB should be free of any contact debris.



## Backplane Header Removal Tool

### Maintenance

It is recommended that each operator of the tool be made aware of, and responsible for, the following maintenance steps:

1. Remove dust, moisture, and other contaminants with a clean brush, or soft, lint free cloth.
2. Do not use any abrasive materials that could damage the tool.
3. Make certain all pins; pivot points and bearing surfaces are protected with a thin coat of high quality machine oil. Do not oil excessively.
4. When tool is not in use, store in a clean, dry area.

**CAUTION:** Molex specifications are valid only when used with Molex terminals, applicators and tooling.

### Contact Information

For more information on Molex application tooling please contact Molex at 1-800-786-6539.

Visit our Web site at <http://www.molex.com>