

Excellent Integrated System Limited

Stocking Distributor

Click to view price, real time Inventory, Delivery & Lifecycle Information:

[Molex Connector Corporation](#)
[0622024400](#)

For any questions, you can email us directly:

sales@integrated-circuit.com

Mizu-P25™ Miniature Waterproof Connector Tool

Mizu-P25™ Miniature Waterproof Connector Sealing Tool	 Application Tooling Specification Sheet	 Order No. 62202-4400
--	---	--

FEATURES

A pliers-type tool used to push on the sealing cap for Mizu-P25™ Miniature Waterproof Connectors
 Tool can be used on four different size housing assemblies. 2 to 4 circuit size included

SCOPE

Products: Mizu-P25™ Miniature Waterproof Connectors 2 to 4 circuit. See Product List below for specific part numbers.

Product List

The following is a partial list of the product order numbers and their specifications this tool is designed to be used on. Updates to this list are available on www.molex.com.

Circuit Size	Series No.	Assembly Order Number						
2	52116	52116-0230	52116-0231	52116-0232	52116-0240	52116-0241	52116-0242	52116-0243
3		52116-0330	52116-0331	52116-0332	52116-0340	52116-0341	52116-0342	
4		52116-0410	52116-0411	52116-0412	52116-0413			
2	52117	52117-0230	52117-0231	52117-0232	52117-0240	52117-0241	52117-0242	52117-0243
3		52117-0340	52117-0341	52117-0342				
4		52117-0410	52117-0411	52117-0412	52117-0413			
2	52213	52213-0210	52213-0211	52213-0215	52213-0217			
3		52213-0311						
4		52213-0410	52213-0414	52213-0416	52213-0417			
2	52266	52266-0210	52266-0211	52266-0215	52266-0217	52266-0222		
3		52266-0311						
4		52266-0414	52266-0417					

Description

The 62202-4400 Mizu-P25™ Sealing Tool is a pliers-type tool used sealing the cap fitting to the housing. The tool is approximately 235.0mm (9.25 in.) long by 58.0mm (2.28in.) wide (closed) by 40.0mm (1.60 in.) thick and weighs .70 kg (1.55 lb).

The upper and lower jaws stay in place when seating the cap to the housing assembly. The four (4) pockets located on each jaw have been placed so they will align the housing assembly with the wire end seal for all specified assemblies. See Figure 1.

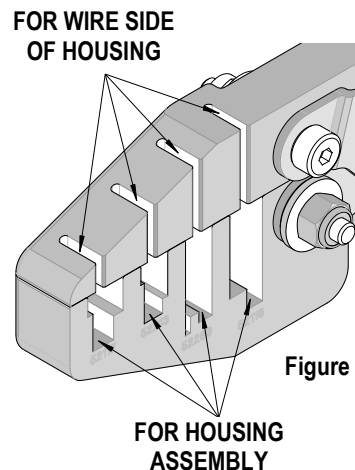


Figure 1

Mizu-P25™ Miniature Waterproof Connector Tool

OPERATION

1. Open the tool by pulling on the handles in the direction shown. See Figure 2. Pull the handles as far as they will go this will allow loading pockets to accommodate any of the housings.
2. Assemble the specified crimp terminals with wires into the 52117 connector housing assembly (2 circuits shown, 3 circuits available). See Figure 3.

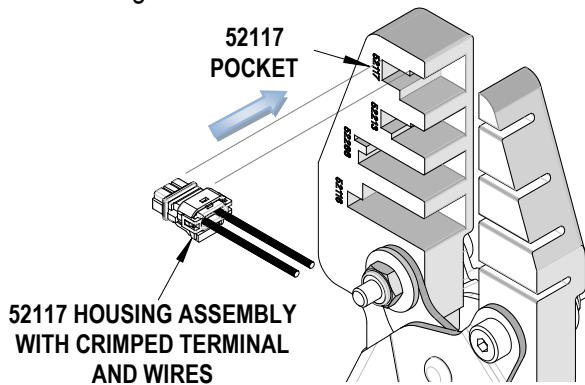


Figure 3

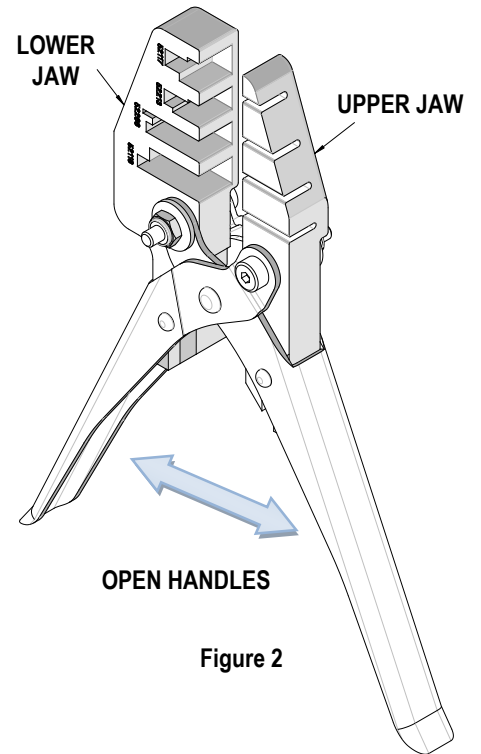


Figure 2

3. With the tool in the open position load the 52117 housing assembly with the crimp terminals and wires into the 52117 pocket. See Figure 4. The housing pocket is marked with the housing assembly product series.

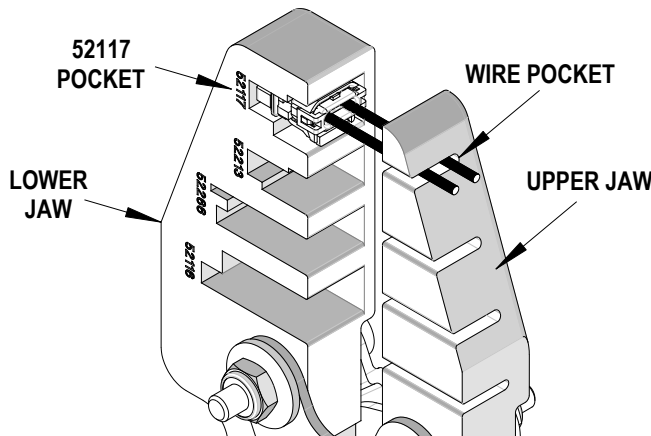


Figure 4

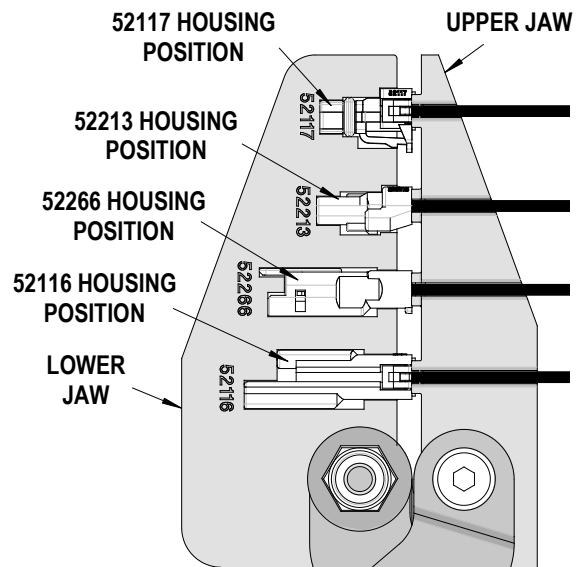


Figure 5

Note: There is only one way these assemblies load into the lower jaw of the tool. Make sure they are in the correct position. The housing series numbers are marked on the front of the tool. See Figure 5.

4. When placing the housing assembly into the lower jaw the wires should be seated into the slot adjacent to the housing pocket in the upper jaw. See Figure 5.
5. Slowly close the handles until the upper jaw contacts the cap of the housing. See Figure 6.

Mizu-P25™ Miniature Waterproof Connector Tool

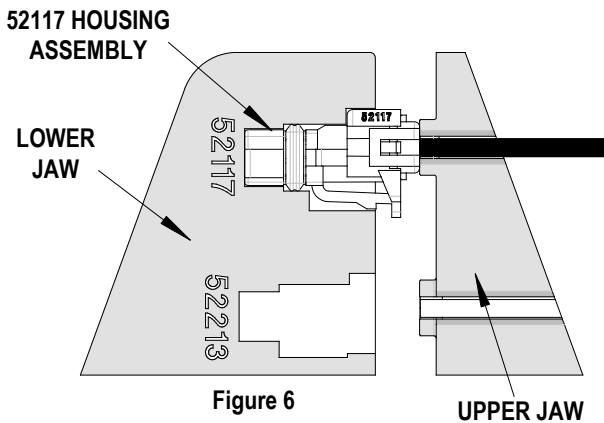


Figure 6

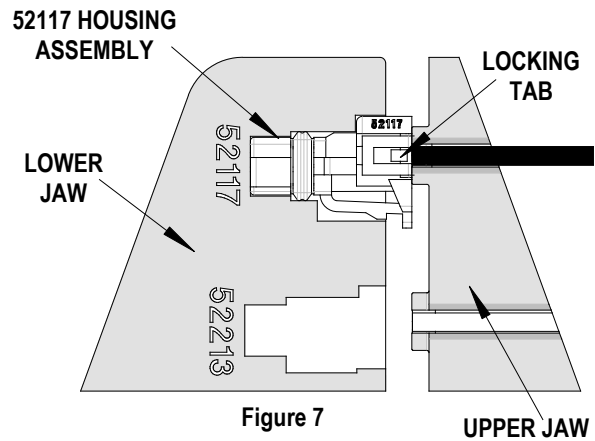


Figure 7

- Continue squeezing the handles until the cap latches over the locking tabs on both sides of the housing assembly. See Figure 7.

Note: Avoid squeezing the handles together more than once to assemble the housing. Repeated closing of the jaws on the housing will cause damage to the locking tabs preventing the cap to assemble onto the housing.

- Open the handles on the tool which will release the jaws.
- Slide the housing assembly and the attached wires in a horizontal direction to remove it from the pocket. It should slide out easily. When removing the assembly be careful not to bend or kink the wires.

For the 52116 Mizu-P25 Connector Housing Assembly.

When assembling 52116 connector assembly the seal will be squeezed out of the locking tab window. This condition is caused from the cap being pushed down onto the seal. This is condition is normal and the locking tab will snap into the locking tab window to complete the assembly.

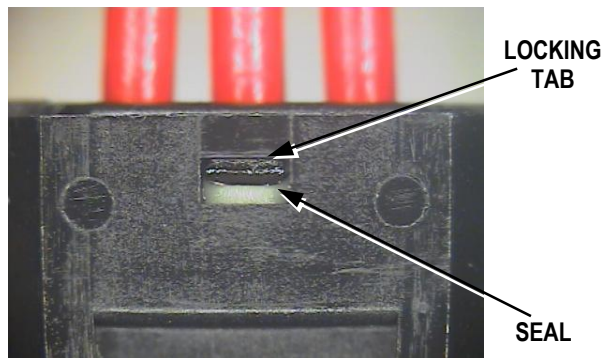


Figure 7

Mizu-P25™ Miniature Waterproof Connector Tool

Maintenance

It is recommended that each operator of the tool be made aware of, and responsible for, the following maintenance steps:

1. Remove dust, moisture, and other contaminants with a clean brush, or soft, lint free cloth.
2. Do not use any abrasive materials that could damage the tool.
3. Make certain all pins; pivot points and bearing surfaces are protected with a thin coat of high quality machine oil. Do not oil excessively.
4. When tool is not in use, store in a clean, dry area.
5. There are no repair parts available for this tool. Should the tool be damaged a new tool is required.

CAUTION: Molex specifications are valid only when used with Molex connectors and tooling.



CAUTION:

Molex tooling crimp specifications are valid only when used with Molex terminals and tooling manufactured by Molex and sold by Molex or authorized distributors ("Molex Tooling"). When using tooling other than Molex Tooling with Molex specific connector systems listed in our ATS documents, the Molex tooling qualification does not apply and the responsibility for full qualification of the connector system is that of the customer.

Molex accepts no liability for connector performance or tooling support where tooling other than Molex Tooling is used or where Molex Tooling is modified.

Application Tooling Support

2200 Wellington Court

Lisle, IL 60532 USA

Phone: +1-402-458-TOOL (8665)

E-mail: applicationtooling@molex.com

Visit our Website at www.molex.com/applicationtooling