

Excellent Integrated System Limited

Stocking Distributor

Click to view price, real time Inventory, Delivery & Lifecycle Information:

[Molex Connector Corporation](#)
[0638132250](#)

For any questions, you can email us directly:

sales@integrated-circuit.com

Tall Modular Card Extractor Tool

Tall Module Card Extractor Tool	 Application Tooling Specification Sheet	 Order No. 63813-2250
--	---	--

FEATURES

% This tool is designed for the removal of the memory module card from the metal latch 78049 series Molex sockets, 1mm pitch, 188-circuit vertical press-fit with metal latch DDR2.

SCOPE

Products: 78049 Series 188 Circuit Low Profile Metal Latch DDR2 Dimm Connector System. See Product List below for specific part numbers.

Product List

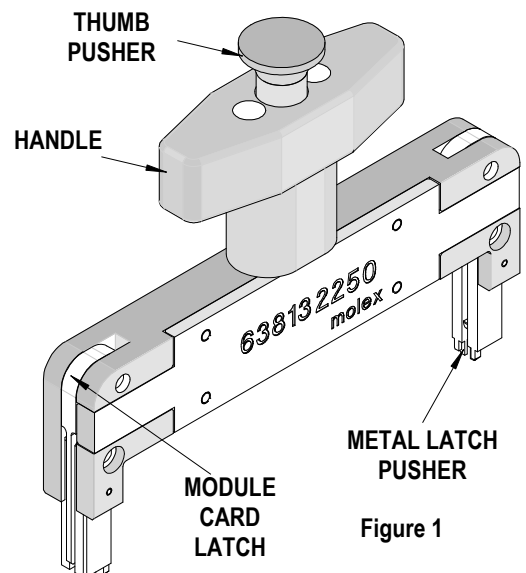
The following is a partial list of the product order numbers and their specifications this tool is designed to run. Updates to this list are available on www.molex.com.

Assembly Order Number		Description
78049-0011	78049-0012	1.00mm (.039") Pitch DDR-2 DIMM Socket, Vertical, Press-fit, 188 Circuits Metal Latch
78049-0021	78049-0022	

DESCRIPTION

The 1mm pitch, 188-circuit low profile metal latch DDR2 takes up a much smaller space inside the housing than a conventional latch will. The entire connector length is almost similar to the module card. However, the latch cannot be extracted by hand and this extraction tool is required to withdrawal the module card from the metal latch.

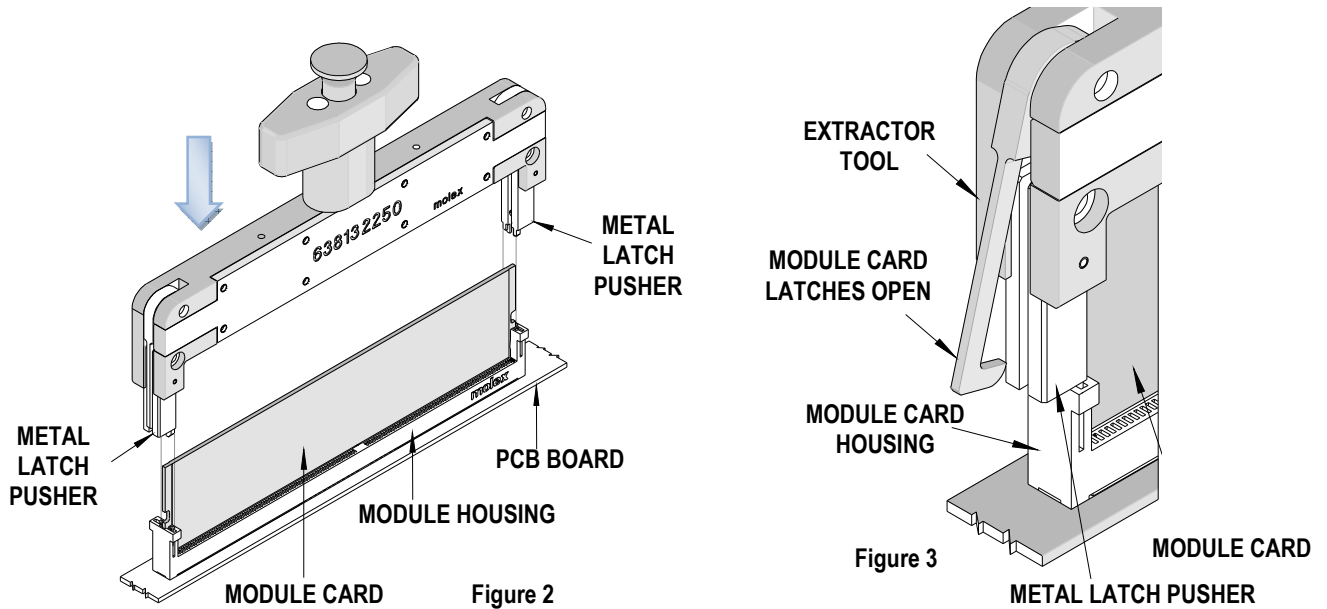
The Module Card Extractor Tool consists of modular card latch, metal latch, and thumb pusher with a handle.



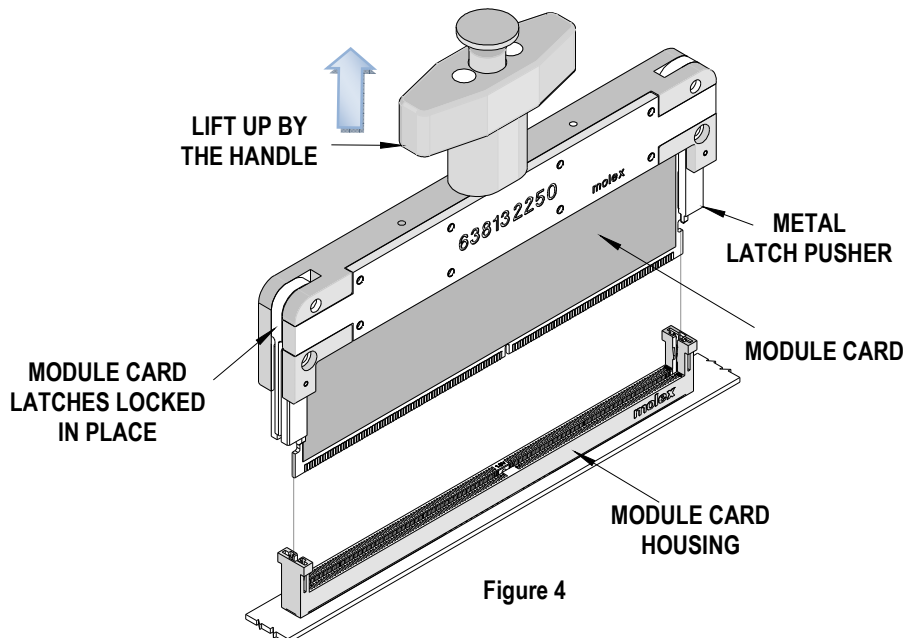
Tall Modular Card Extractor Tool

Operation

1. Align the metal latch pushers (2) with the slots on the module card housing. See Figure 2.
2. Push the extractor tool down and into the slots. The module card latches are spring-loaded and will open when extractor tool is engaged in the module card housing. See Figure 3.



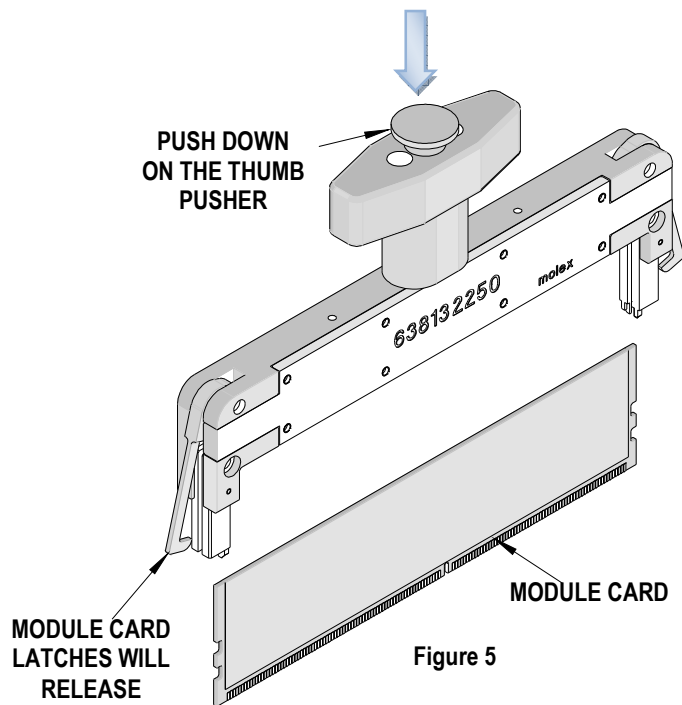
3. Make sure the extractor tool is firmly seated in the slots of the module card housing and the module card latches are locked into the module card.



4. Pull the module card straight up with the handle of the extractor tool. See Figure 4.

Tall Modular Card Extractor Tool

- When the module card is free of the housing, press down on the thumb pusher. This will open the module card latches and release the card from the extractor tool. See Figure 5.



Maintenance

It is recommended that each operator of the tool be made aware of, and responsible for, the following maintenance steps:

- Remove dust, moisture, and other contaminants with a clean brush, or soft, lint free cloth.
- Do not use any abrasive materials that could damage the tool.
- Make certain all pins; pivot points and bearing surfaces are protected with a thin coat of high quality machine oil. Do not oil excessively.

When tool is not in use, store in a clean, dry area.

CAUTION: Molex specifications are valid only when used with Molex terminals, applicators and tooling.

Molex does not offer repair parts for Extractor Tools due to the inexpensive nature of these tools.

Contact Information

For more information on Molex application tooling please contact Molex at 1-800-786-6539.

Visit our Web site at <http://www.molex.com>