

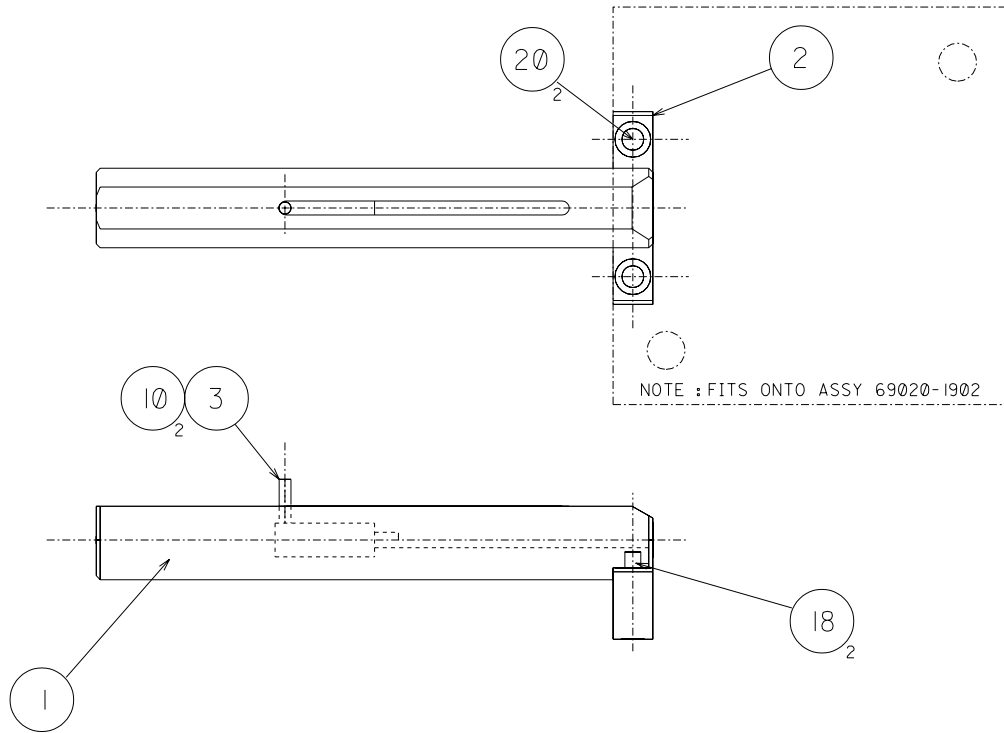
## **Excellent Integrated System Limited**

Stocking Distributor

Click to view price, real time Inventory, Delivery & Lifecycle Information:

[Molex Connector Corporation](#)  
[0690201935](#)

For any questions, you can email us directly:  
[sales@integrated-circuit.com](mailto:sales@integrated-circuit.com)



▽ DENOTES CRITICAL DIMENSION FOR QUALITY CONTROL  
 Q.A. INSPECTION STANDARD EXISTS FOR THIS DRG  
 REVISE ON CAD SYSTEM ONLY 90201935.S00

	AS. 02.11.18
B	TO SALES IN WORKMAN. ECN E02809
A	AS. 99.02.25 NEW DRAWING ECN E95758
I	AS. 98.10.05 PROTOTYPE

1:1      ---      -----      A.S.  
 NONE      98.10.05

ASSEMBLY OF  
 CONNECTOR CLAMP

69020-1935

90327/90584

I I

1	69020-1930	A3	1	CLAMP BODY	
2	69020-1931	A3	1	MOUNTING BLOCK	
3	69020-1932	A3	1	PUSHER FINGER	
4					
5					
6					
7					
8					
9					
10	69018-9663	---	2	SPRING LC-022D-14-MW	LEE
11					
12					
13					
14					
15					
16					
17					
18	69901-1325	---	2	M4 SKT HD CAP SCREW x 25LG	
19					
20	69901-1520	---	2	M5 SKT HD CAP SCREW x 20LG	
21					
22					
23					
24					
25					

ASSEMBLY OF  
CONNECTOR CLAMP

A.S. 90327/90584

ECN E02809

98.10.05 I A B I I 69020-1935 PL