

Excellent Integrated System Limited

Stocking Distributor

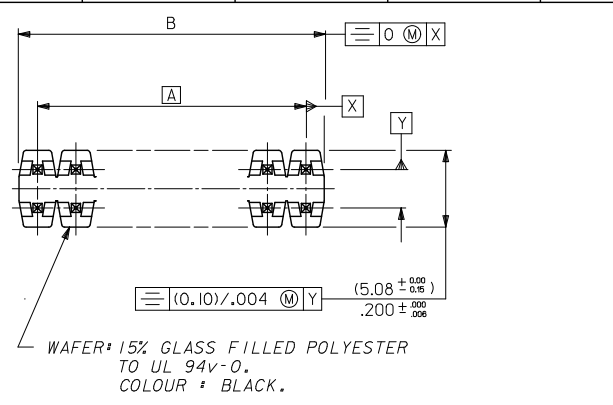
Click to view price, real time Inventory, Delivery & Lifecycle Information:

[Molex Connector Corporation](#)
[0901311096](#)

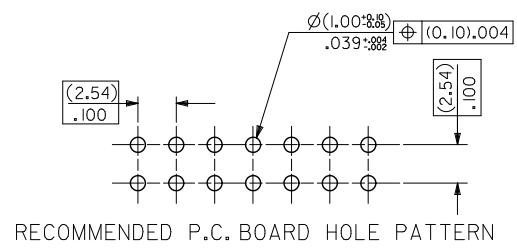
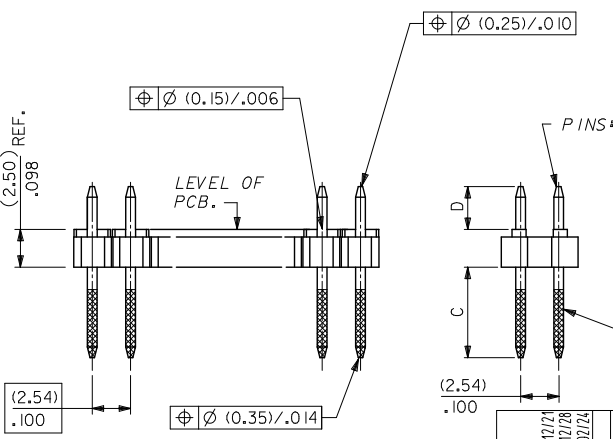
For any questions, you can email us directly:

sales@integrated-circuit.com

10 9 8 7 6 5 4 3 2 1



CKT SIZE	DIM. "A"		DIM. "B" (+0.20 / -0.08)		CKT SIZE	DIM. "A"		DIM. "B" (+0.20 / -0.08)	
2X 1			(2.54)	.100	2X21	(50.80)	2.000	(53.34)	2.100
2X 2	(2.54)	.100	(5.08)	.200	2X22	(53.34)	2.100	(55.88)	2.200
2X 3	(5.08)	.200	(7.62)	.300	2X23	(55.88)	2.200	(58.42)	2.300
2X 4	(7.62)	.300	(10.16)	.400	2X24	(58.42)	2.300	(60.96)	2.400
2X 5	(10.16)	.400	(12.70)	.500	2X25	(60.96)	2.400	(63.50)	2.500
2X 6	(12.70)	.500	(15.24)	.600	2X26	(63.50)	2.500	(66.04)	2.600
2X 7	(15.24)	.600	(17.78)	.700	2X27	(66.04)	2.600	(68.58)	2.700
2X 8	(17.78)	.700	(20.32)	.800	2X28	(68.58)	2.700	(71.12)	2.800
2X 9	(20.32)	.800	(22.86)	.900	2X29	(71.12)	2.800	(73.66)	2.900
2X10	(22.86)	.900	(25.40)	1.000	2X30	(73.66)	2.900	(76.20)	3.000
2X11	(25.40)	1.000	(27.94)	1.100	2X31	(76.20)	3.000	(78.74)	3.100
2X12	(27.94)	1.100	(30.48)	1.200	2X32	(78.74)	3.100	(81.28)	3.200
2X13	(30.48)	1.200	(33.02)	1.300	2X33	(81.28)	3.200	(83.82)	3.300
2X14	(33.02)	1.300	(35.56)	1.400	2X34	(83.82)	3.300	(86.36)	3.400
2X15	(35.56)	1.400	(38.10)	1.500	2X35	(86.36)	3.400	(88.90)	3.500
2X16	(38.10)	1.500	(40.64)	1.600	2X36	(88.90)	3.500	(91.44)	3.600
2X17	(40.64)	1.600	(43.18)	1.700	2X37	(91.44)	3.600	(93.98)	3.700
2X18	(43.18)	1.700	(45.72)	1.800	2X38	(93.98)	3.700	(96.52)	3.800
2X19	(45.72)	1.800	(48.26)	1.900	2X39	(96.52)	3.800	(99.06)	3.900
2X20	(48.26)	1.900	(50.80)	2.000	2X40	(99.06)	3.900	(101.60)	4.000



- NOTES
- PLEASE REFER TO SHT 2 FOR PLATING DETAILS.
 - PLEASE REFER TO SHT 3-8 FOR DIMENSIONS C & D.
 - RECOMMENDED PCB THICKNESS 1.60MM
 - PRODUCT SPECIFICATION: PS-99020-0001

CHANGE DOC. NO EC NO: S7012-0490 ODR:WATSEE 2011/12/21 CHKD:SKANG 2011/12/28 APPR:MLONG 2012/02/24	QUALITY SYMBOLS √=0 ∇=0 ∇=0	GENERAL TOLERANCES (UNLESS SPECIFIED)		DIMENSION STYLE		SCALE	DESIGN UNITS	THIRD ANGLE PROJECTION
		mm	INCH	MM ONLY		NTS	METRIC	
		4 PLACES ±---	±---	DRAWN BY	DATE	TITLE		
		3 PLACES ±---	±---	DB	1987/07/16	C GRID III DUAL ROW STRAIGHT PIN HEADER		
		2 PLACES ±0.20	±---	CHECKED BY	DATE	MOLEX INCORPORATED		
		1 PLACE ±---	±---	APPROVED BY	DATE	MOLEX INCORPORATED		
		ANGULAR ± 3°		MLONG	2012/02/24	MOLEX INCORPORATED		
		DRAFT WHERE APPLICABLE MUST REMAIN WITHIN DIMENSIONS		MATERIAL NO.		DOCUMENT NO.		
				SEE TABLE		SD-90131-001		
				SIZE		THIS DRAWING CONTAINS INFORMATION THAT IS PROPRIETARY TO MOLEX INCORPORATED AND SHOULD NOT BE USED WITHOUT WRITTEN PERMISSION		

9 8 7 6 5 4 3 2 1

10 9 8 7 6 5 4 3 2 1

PLATING OPTIONS	PLATING DESCRIPTION
A	3.00µm MIN TIN OVER 1.27µm NICKEL OVERALL
B	0.38µm MIN GOLD IN SELECTED AREA AND 3.00µm MIN TIN IN SELECTED AREA AND 1.30µm MIN NICKEL OVERALL
C	0.76µm MIN GOLD IN SELECTED AREA AND 3.00µm MIN TIN IN SELECTED AREA AND 1.30µm MIN NICKEL OVERALL
D	0.05-0.10µm GOLD FLASH IN SELECTED AREA AND 3.00µm MIN TIN IN SELECTED AREA AND 1.30µm MIN NICKEL OVERALL
E	0.38µm MIN GOLD IN SELECTED AREA (2 SIDES) AND 3.00µm MIN TIN IN SELECTED AREA AND 1.30µm MIN NICKEL OVERALL
F	0.76µm MIN GOLD IN SELECTED AREA (2 SIDES) AND 3.00µm MIN TIN IN SELECTED AREA AND 1.30µm MIN NICKEL OVERALL
G	0.05-0.10µm GOLD FLASH IN SELECTED AREA (2 SIDES) AND 3.00µm MIN TIN IN SELECTED AREA AND 1.30µm MIN NICKEL OVERALL

CHANGE DOC. NO EC NO: S2012-0490 DRAWN/SEE CHKD:SKANG APPR:MLONG O	2011/12/24 2011/12/28 2012/02/24	QUALITY SYMBOLS √=0 √=0 √=0	GENERAL TOLERANCES (UNLESS SPECIFIED) 4 PLACES ± --- ± --- 3 PLACES ± --- ± --- 2 PLACES ± 0.20 ± --- 1 PLACE ± --- ± --- ANGULAR ± 3 °	DIMENSION STYLE MM ONLY DRAWN BY DATE DB 1987/07/16 CHECKED BY DATE DB 1987/07/16 APPROVED BY DATE MLONG 2012/02/24	SCALE NTS DESIGN UNITS METRIC THIRD ANGLE PROJECTION	TITLE C GRID III DUAL ROW STRAIGHT PIN HEADER	MOLEX INCORPORATED	MATERIAL NO. SEE TABLE	DOCUMENT NO. SD-90131-001	SHEET NO. 2 OF 8											
											DRAFT WHERE APPLICABLE MUST REMAIN WITHIN DIMENSIONS										
											THIS DRAWING CONTAINS INFORMATION THAT IS PROPRIETARY TO MOLEX INCORPORATED AND SHOULD NOT BE USED WITHOUT WRITTEN PERMISSION										
											SIZE A3										

9 8 7 6 5 4 3 2 1

	10	9	8	7	6	5	4	3	2	1
	CIRCUIT SIZE	PLATING TYPE A PART NO.	PLATING TYPE E PART NO.	PLATING TYPE F PART NO.						
	2 X 1	90131-0121	90131-0761	90131-0921						
	2 X 2	-0122	-0762	-0922						
	2 X 3	-0123	-0763	-0923						
	2 X 4	-0124	-0764	-0924						
	2 X 5	-0125	-0765	-0925						
	2 X 6	-0126	-0766	-0926						
	2 X 7	-0127	-0767	-0927						
	2 X 8	-0128	-0768	-0928						
	2 X 9	-0129	-0769	-0929						
	2 X 10	-0130	-0770	-0930						
	2 X 11	-0131	-0771	-0931						
	2 X 12	-0132	-0772	-0932						
	2 X 13	-0133	-0773	-0933						
	2 X 14	-0134	-0774	-0934						
	2 X 15	-0135	-0775	-0935						
	2 X 16	-0136	-0776	-0936						
	2 X 17	-0137	-0777	-0937						
	2 X 18	-0138	-0778	-0938						
	2 X 19	-0139	-0779	-0939						
	2 X 20	-0140	-0780	-0940						
	2 X 21	-0141	-0781	-0941						
	2 X 22	-0142	-0782	-0942						
	2 X 23	-0143	-0783	-0943						
	2 X 24	-0144	-0784	-0944						
	2 X 25	-0145	-0785	-0945						
	2 X 26	-0146	-0786	-0946						
	2 X 27	-0147	-0787	-0947						
	2 X 28	-0148	-0788	-0948						
	2 X 29	-0149	-0789	-0949						
	2 X 30	-0150	-0790	-0950						
	2 X 31	-0151	-0791	-0951						
	2 X 32	-0152	-0792	-0952						
	2 X 33	-0153	-0793	-0953						
	2 X 34	-0154	-0794	-0954						
	2 X 35	-0155	-0795	-0955						
	2 X 36	-0156	-0796	-0956						
	2 X 37	-0157	-0797	-0957						
	2 X 38	-0158	-0798	-0958						
	2 X 39	-0159	-0799	-0959						
	2 X 40	90131-0160	90131-0800	90131-0960						

DIM C (+0.20 / ±.008) (6.75) .266

DIM D (+0.30 / ±.008) (2.90) .114

STANDARD PRODUCTS

CHANGE DOC. NO. EC. NO. S2012-0490 O	2011/12/21	QUALITY SYMBOLS √=0 √=0 √=0	GENERAL TOLERANCES (UNLESS SPECIFIED)		DIMENSION STYLE MM ONLY		SCALE NTS	DESIGN UNITS METRIC	THIRD ANGLE PROJECTION	
	2011/12/28		mm	INCH	DRAWN BY DB	DATE 1987/07/16	TITLE C GRID III DUAL ROW STRAIGHT PIN HEADER			
	2012/02/24		4 PLACES ±---	±---	CHECKED BY DB	DATE 1987/07/16	APPROVED BY MLONG			
	2012/02/24		3 PLACES ±---	±---	APPROVED BY MLONG		DATE 2012/02/24	molex MOLEX INCORPORATED		SHEET NO. 3 OF 8
DESCRIPTION	DRAFT WHERE APPLICABLE MUST REMAIN WITHIN DIMENSIONS		SEE TABLE		DOCUMENT NO. SD-90131-001		THIS DRAWING CONTAINS INFORMATION THAT IS PROPRIETARY TO MOLEX INCORPORATED AND SHOULD NOT BE USED WITHOUT WRITTEN PERMISSION			

10 9 8 7 6 5 4 3 2 1

CIRCUIT SIZE	PLATING TYPE A PART NO.	PLATING TYPE E PART NO.	PLATING TYPE F PART NO.
2 X 1	90131-0041	90131-0681	90131-0841
2 X 2	-0042	-0682	-0842
2 X 3	-0043	-0683	-0843
2 X 4	-0044	-0684	-0844
2 X 5	-0045	-0685	-0845
2 X 6	-0046	-0686	-0846
2 X 7	-0047	-0687	-0847
2 X 8	-0048	-0688	-0848
2 X 9	-0049	-0689	-0849
2 X 10	-0050	-0690	-0850
2 X 11	-0051	-0691	-0851
2 X 12	-0052	-0692	-0852
2 X 13	-0053	-0693	-0853
2 X 14	-0054	-0694	-0854
2 X 15	-0055	-0695	-0855
2 X 16	-0056	-0696	-0856
2 X 17	-0057	-0697	-0857
2 X 18	-0058	-0698	-0858
2 X 19	-0059	-0699	-0859
2 X 20	-0060	-0700	-0860
2 X 21	-0061	-0701	-0861
2 X 22	-0062	-0702	-0862
2 X 23	-0063	-0703	-0863
2 X 24	-0064	-0704	-0864
2 X 25	-0065	-0705	-0865
2 X 26	-0066	-0706	-0866
2 X 27	-0067	-0707	-0867
2 X 28	-0068	-0708	-0868
2 X 29	-0069	-0709	-0869
2 X 30	-0070	-0710	-0870
2 X 31	-0071	-0711	-0871
2 X 32	-0072	-0712	-0872
2 X 33	-0073	-0713	-0873
2 X 34	-0074	-0714	-0874
2 X 35	-0075	-0715	-0875
2 X 36	-0076	-0716	-0876
2 X 37	-0077	-0717	-0877
2 X 38	-0078	-0718	-0878
2 X 39	-0079	-0719	-0879
2 X 40	90131-0080	90131-0720	90131-0880

DIM C
(±0.20)
±.008
(5.75)
.226

DIM D
(±0.20)
±.008
(2.90)
.114

CIRCUIT SIZE	PLATING TYPE A PART NO.	PLATING TYPE E PART NO.	PLATING TYPE F PART NO.
2 X 1	90131-0081	90131-0721	90131-0881
2 X 2	-0082	-0722	-0882
2 X 3	-0083	-0723	-0883
2 X 4	-0084	-0724	-0884
2 X 5	-0085	-0725	-0885
2 X 6	-0086	-0726	-0886
2 X 7	-0087	-0727	-0887
2 X 8	-0088	-0728	-0888
2 X 9	-0089	-0729	-0889
2 X 10	-0090	-0730	-0890
2 X 11	-0091	-0731	-0891
2 X 12	-0092	-0732	-0892
2 X 13	-0093	-0733	-0893
2 X 14	-0094	-0734	-0894
2 X 15	-0095	-0735	-0895
2 X 16	-0096	-0736	-0896
2 X 17	-0097	-0737	-0897
2 X 18	-0098	-0738	-0898
2 X 19	-0099	-0739	-0899
2 X 20	-0100	-0740	-0900
2 X 21	-0101	-0741	-0901
2 X 22	-0102	-0742	-0902
2 X 23	-0103	-0743	-0903
2 X 24	-0104	-0744	-0904
2 X 25	-0105	-0745	-0905
2 X 26	-0106	-0746	-0906
2 X 27	-0107	-0747	-0907
2 X 28	-0108	-0748	-0908
2 X 29	-0109	-0749	-0909
2 X 30	-0110	-0750	-0910
2 X 31	-0111	-0751	-0911
2 X 32	-0112	-0752	-0912
2 X 33	-0113	-0753	-0913
2 X 34	-0114	-0754	-0914
2 X 35	-0115	-0755	-0915
2 X 36	-0116	-0756	-0916
2 X 37	-0117	-0757	-0917
2 X 38	-0118	-0758	-0918
2 X 39	-0119	-0759	-0919
2 X 40	90131-0120	90131-0760	90131-0920

DIM C
(±0.20)
±.008
(5.75)
.226

DIM D
(±0.20)
±.008
(4.50)
.177

NON-STANDARD PRODUCTS

CHANGE DOC. NO
EC NO. S2012-0490
DRAWN/AT/SEE
CHKD/SKANG
APPR./MLONG

2011/12/21
2011/12/28
2012/02/24

QUALITY SYMBOLS
√=0
√=0
√=0

GENERAL TOLERANCES (UNLESS SPECIFIED)
mm INCH
4 PLACES ± --- ± ---
3 PLACES ± --- ± ---
2 PLACES ± 0.20 ± ---
1 PLACE ± --- ± ---
ANGULAR ± 3°

DIMENSION STYLE
MM ONLY
DRAWN BY DATE
CHECKED BY DATE
APPROVED BY DATE

SCALE NTS
DESIGN UNITS METRIC
THIRD ANGLE PROJECTION
C GRID III DUAL ROW STRAIGHT PIN HEADER
MOLEX INCORPORATED
MATERIAL NO. SEE TABLE
DOCUMENT NO. SD-90131-001
SHEET NO. 4 OF 8

9 8 7 6 5 4 3 2 1

10 9 8 7 6 5 4 3 2 1

CIRCUIT SIZE	PLATING TYPE A PART NO.	PLATING TYPE E PART NO.	PLATING TYPE F PART NO.
2 X 1	90131-0161	90131-0801	90131-0961
2 X 2	-0162	-0802	-0962
2 X 3	-0163	-0803	-0963
2 X 4	-0164	-0804	-0964
2 X 5	-0165	-0805	-0965
2 X 6	-0166	-0806	-0966
2 X 7	-0167	-0807	-0967
2 X 8	-0168	-0808	-0968
2 X 9	-0169	-0809	-0969
2 X 10	-0170	-0810	-0970
2 X 11	-0171	-0811	-0971
2 X 12	-0172	-0812	-0972
2 X 13	-0173	-0813	-0973
2 X 14	-0174	-0814	-0974
2 X 15	-0175	-0815	-0975
2 X 16	-0176	-0816	-0976
2 X 17	-0177	-0817	-0977
2 X 18	-0178	-0818	-0978
2 X 19	-0179	-0819	-0979
2 X 20	-0180	-0820	-0980
2 X 21	-0181	-0821	-0981
2 X 22	-0182	-0822	-0982
2 X 23	-0183	-0823	-0983
2 X 24	-0184	-0824	-0984
2 X 25	-0185	-0825	-0985
2 X 26	-0186	-0826	-0986
2 X 27	-0187	-0827	-0987
2 X 28	-0188	-0828	-0988
2 X 29	-0189	-0829	-0989
2 X 30	-0190	-0830	-0990
2 X 31	-0191	-0831	-0991
2 X 32	-0192	-0832	-0992
2 X 33	-0193	-0833	-0993
2 X 34	-0194	-0834	-0994
2 X 35	-0195	-0835	-0995
2 X 36	-0196	-0836	-0996
2 X 37	-0197	-0837	-0997
2 X 38	-0198	-0838	-0998
2 X 39	-0199	-0839	-0999
2 X 40	90131-0200	90131-0840	90131-1000

DIM C (±0.20) (±.008) (6.75) .266

DIM D (±0.25) (±.010) (4.50) .177

NON-STANDARD PRODUCTS

CHANGE DOC. NO EC NO. S2012-0490 DRAWN BY CHYK-SKANG APPR: MLONG 2011/12/27 2011/12/28 2012/02/24	QUALITY SYMBOLS √=0 √=0 √=0	GENERAL TOLERANCES (UNLESS SPECIFIED)		DIMENSION STYLE		SCALE	DESIGN UNITS	THIRD ANGLE PROJECTION	
				MM ONLY		NTS	METRIC		
				mm	INCH	DRAWN BY	DATE		TITLE
				4 PLACES ±---	±---	DB	1987/07/16		C GRID III DUAL ROW STRAIGHT PIN HEADER
		3 PLACES ±---	±---	CHECKED BY	DATE				
		2 PLACES ±0.20	±---	DB	1987/07/16				
		1 PLACE ±---	±---	APPROVED BY	DATE				
		ANGULAR ± 3°		MLONG	2012/02/24				
		DRAFT WHERE APPLICABLE MUST REMAIN WITHIN DIMENSIONS		MATERIAL NO.		DOCUMENT NO.			
				SEE TABLE		SD-90131-001			
				SIZE A3		SHEET NO. 5 OF 8			
		THIS DRAWING CONTAINS INFORMATION THAT IS PROPRIETARY TO MOLEX INCORPORATED AND SHOULD NOT BE USED WITHOUT WRITTEN PERMISSION							

9 8 7 6 5 4 3 2 1

	10	9	8	7	6	5	4	3	2	1		
		CIRCUIT SIZE	PLATING TYPE B PART NO.	PLATING TYPE C PART NO.	PLATING TYPE D PART NO.	PLATING TYPE G PART NO.		CIRCUIT SIZE	PLATING TYPE B PART NO.	PLATING TYPE C PART NO.	PLATING TYPE D PART NO.	PLATING TYPE G PART NO.
		2 X 1	90131-0281	90131-0441	90131-0601	90131-1081		2 X 1	90131-0201	90131-0361	90131-0521	90131-1001
		2 X 2	↑ -0282	↑ -0442	↑ -0602	↑ -1082		2 X 2	↑ -0202	↑ -0362	↑ -0522	↑ -1002
		2 X 3	-0283	-0443	-0603	-1083		2 X 3	-0203	-0363	-0523	-1003
		2 X 4	-0284	-0444	-0604	-1084		2 X 4	-0204	-0364	-0524	-1004
		2 X 5	-0285	-0445	-0605	-1085		2 X 5	-0205	-0365	-0525	-1005
		2 X 6	-0286	-0446	-0606	-1086		2 X 6	-0206	-0366	-0526	-1006
		2 X 7	-0287	-0447	-0607	-1087		2 X 7	-0207	-0367	-0527	-1007
		2 X 8	-0288	-0448	-0608	-1088		2 X 8	-0208	-0368	-0528	-1008
		2 X 9	-0289	-0449	-0609	-1089		2 X 9	-0209	-0369	-0529	-1009
		2 X 10	-0290	-0450	-0610	-1090		2 X 10	-0210	-0370	-0530	-1010
		2 X 11	-0291	-0451	-0611	-1091		2 X 11	-0211	-0371	-0531	-1011
		2 X 12	-0292	-0452	-0612	-1092		2 X 12	-0212	-0372	-0532	-1012
		2 X 13	-0293	-0453	-0613	-1093		2 X 13	-0213	-0373	-0533	-1013
		2 X 14	-0294	-0454	-0614	-1094		2 X 14	-0214	-0374	-0534	-1014
		2 X 15	-0295	-0455	-0615	-1095		2 X 15	-0215	-0375	-0535	-1015
		2 X 16	-0296	-0456	-0616	-1096		2 X 16	-0216	-0376	-0536	-1016
		2 X 17	-0297	-0457	-0617	-1097		2 X 17	-0217	-0377	-0537	-1017
		2 X 18	-0298	-0458	-0618	-1098		2 X 18	-0218	-0378	-0538	-1018
		2 X 19	-0299	-0459	-0619	-1099		2 X 19	-0219	-0379	-0539	-1019
		2 X 20	-0300	-0460	-0620	-1100		2 X 20	-0220	-0380	-0540	-1020
		2 X 21	-0301	-0461	-0621	-1101		2 X 21	-0221	-0381	-0541	-1021
		2 X 22	-0302	-0462	-0622	-1102		2 X 22	-0222	-0382	-0542	-1022
		2 X 23	-0303	-0463	-0623	-1103		2 X 23	-0223	-0383	-0543	-1023
		2 X 24	-0304	-0464	-0624	-1104		2 X 24	-0224	-0384	-0544	-1024
		2 X 25	-0305	-0465	-0625	-1105		2 X 25	-0225	-0385	-0545	-1025
		2 X 26	-0306	-0466	-0626	-1106		2 X 26	-0226	-0386	-0546	-1026
		2 X 27	-0307	-0467	-0627	-1107		2 X 27	-0227	-0387	-0547	-1027
		2 X 28	-0308	-0468	-0628	-1108		2 X 28	-0228	-0388	-0548	-1028
		2 X 29	-0309	-0469	-0629	-1109		2 X 29	-0229	-0389	-0549	-1029
		2 X 30	-0310	-0470	-0630	-1110		2 X 30	-0230	-0390	-0550	-1030
		2 X 31	-0311	-0471	-0631	-1111		2 X 31	-0231	-0391	-0551	-1031
		2 X 32	-0312	-0472	-0632	-1112		2 X 32	-0232	-0392	-0552	-1032
		2 X 33	-0313	-0473	-0633	-1113		2 X 33	-0233	-0393	-0553	-1033
		2 X 34	-0314	-0474	-0634	-1114		2 X 34	-0234	-0394	-0554	-1034
		2 X 35	-0315	-0475	-0635	-1115		2 X 35	-0235	-0395	-0555	-1035
		2 X 36	-0316	-0476	-0636	-1116		2 X 36	-0236	-0396	-0556	-1036
		2 X 37	-0317	-0477	-0637	-1117		2 X 37	-0237	-0397	-0557	-1037
		2 X 38	-0318	-0478	-0638	-1118		2 X 38	-0238	-0398	-0558	-1038
		2 X 39	↓ -0319	↓ -0479	↓ -0639	↓ -1119		2 X 39	↓ -0239	↓ -0399	↓ -0559	↓ -1039
		2 X 40	90131-0320	90131-0480	90131-0640	90131-1120		2 X 40	90131-0240	90131-0400	90131-0560	90131-1040

DIM C (+0.20 / ±.008) (6.75) .266

DIM D (+0.20 / ±.008) (2.90) .114

DIM C (+0.20 / ±.008) (5.75) .226

DIM D (+0.20 / ±.008) (2.90) .114

**NON-STANDARD PRODUCTS
NOT FOR GENERAL RELEASE**

CHANGE DOC. NO	2011/12/21
EC NO. S2012-0490	
DRAWN BY	CHYKO-SKANG
DATE	2012/02/24
APPR. BY	MLONG
REV	

QUALITY SYMBOLS	√=0
	√=0
	√=0
GENERAL TOLERANCES (UNLESS SPECIFIED)	
	mm INCH
4 PLACES	±--- ±---
3 PLACES	±--- ±---
2 PLACES	±0.20 ±---
1 PLACE	±--- ±---
ANGULAR	± 3°
DRAFT WHERE APPLICABLE	MUST REMAIN WITHIN DIMENSIONS

DIMENSION STYLE	MM ONLY
SCALE	NTS
DESIGN UNITS	METRIC
THIRD ANGLE PROJECTION	
DRAWN BY	DB
DATE	1987/07/16
CHECKED BY	DB
DATE	1987/07/16
APPROVED BY	MLONG
DATE	2012/02/24
MATERIAL NO.	
SEE TABLE	

C GRID III DUAL ROW STRAIGHT PIN HEADER	
MOLEX INCORPORATED	
DOCUMENT NO.	SD-90131-001
SHEET NO.	6 OF 8
THIS DRAWING CONTAINS INFORMATION THAT IS PROPRIETARY TO MOLEX INCORPORATED AND SHOULD NOT BE USED WITHOUT WRITTEN PERMISSION	

	10	9	8	7	6	5	4	3	2	1
	CIRCUIT SIZE	PLATING TYPE B PART NO.	PLATING TYPE C PART NO.	PLATING TYPE D PART NO.	PLATING TYPE G PART NO.	CIRCUIT SIZE	PLATING TYPE B PART NO.	PLATING TYPE C PART NO.	PLATING TYPE D PART NO.	PLATING TYPE G PART NO.
	2 X 1	90131-0241	90131-0401	90131-0561	90131-1041	2 X 1	90131-0321	90131-0481	90131-0641	90131-1121
	2 X 2	-0242	-0402	-0562	-1042	2 X 2	-0322	-0482	-0642	-1122
	2 X 3	-0243	-0403	-0563	-1043	2 X 3	-0323	-0483	-0643	-1123
	2 X 4	-0244	-0404	-0564	-1044	2 X 4	-0324	-0484	-0644	-1124
	2 X 5	-0245	-0405	-0565	-1045	2 X 5	-0325	-0485	-0645	-1125
	2 X 6	-0246	-0406	-0566	-1046	2 X 6	-0326	-0486	-0646	-1126
	2 X 7	-0247	-0407	-0567	-1047	2 X 7	-0327	-0487	-0647	-1127
	2 X 8	-0248	-0408	-0568	-1048	2 X 8	-0328	-0488	-0648	-1128
	2 X 9	-0249	-0409	-0569	-1049	2 X 9	-0329	-0489	-0649	-1129
	2 X 10	-0250	-0410	-0570	-1050	2 X 10	-0330	-0490	-0650	-1130
	2 X 11	-0251	-0411	-0571	-1051	2 X 11	-0331	-0491	-0651	-1131
	2 X 12	-0252	-0412	-0572	-1052	2 X 12	-0332	-0492	-0652	-1132
	2 X 13	-0253	-0413	-0573	-1053	2 X 13	-0333	-0493	-0653	-1133
	2 X 14	-0254	-0414	-0574	-1054	2 X 14	-0334	-0494	-0654	-1134
	2 X 15	-0255	-0415	-0575	-1055	2 X 15	-0335	-0495	-0655	-1135
	2 X 16	-0256	-0416	-0576	-1056	2 X 16	-0336	-0496	-0656	-1136
	2 X 17	-0257	-0417	-0577	-1057	2 X 17	-0337	-0497	-0657	-1137
	2 X 18	-0258	-0418	-0578	-1058	2 X 18	-0338	-0498	-0658	-1138
	2 X 19	-0259	-0419	-0579	-1059	2 X 19	-0339	-0499	-0659	-1139
	2 X 20	-0260	-0420	-0580	-1060	2 X 20	-0340	-0500	-0660	-1140
	2 X 21	-0261	-0421	-0581	-1061	2 X 21	-0341	-0501	-0661	-1141
	2 X 22	-0262	-0422	-0582	-1062	2 X 22	-0342	-0502	-0662	-1142
	2 X 23	-0263	-0423	-0583	-1063	2 X 23	-0343	-0503	-0663	-1143
	2 X 24	-0264	-0424	-0584	-1064	2 X 24	-0344	-0504	-0664	-1144
	2 X 25	-0265	-0425	-0585	-1065	2 X 25	-0345	-0505	-0665	-1145
	2 X 26	-0266	-0426	-0586	-1066	2 X 26	-0346	-0506	-0666	-1146
	2 X 27	-0267	-0427	-0587	-1067	2 X 27	-0347	-0507	-0667	-1147
	2 X 28	-0268	-0428	-0588	-1068	2 X 28	-0348	-0508	-0668	-1148
	2 X 29	-0269	-0429	-0589	-1069	2 X 29	-0349	-0509	-0669	-1149
	2 X 30	-0270	-0430	-0590	-1070	2 X 30	-0350	-0510	-0670	-1150
	2 X 31	-0271	-0431	-0591	-1071	2 X 31	-0351	-0511	-0671	-1151
	2 X 32	-0272	-0432	-0592	-1072	2 X 32	-0352	-0512	-0672	-1152
	2 X 33	-0273	-0433	-0593	-1073	2 X 33	-0353	-0513	-0673	-1153
	2 X 34	-0274	-0434	-0594	-1074	2 X 34	-0354	-0514	-0674	-1154
	2 X 35	-0275	-0435	-0595	-1075	2 X 35	-0355	-0515	-0675	-1155
	2 X 36	-0276	-0436	-0596	-1076	2 X 36	-0356	-0516	-0676	-1156
	2 X 37	-0277	-0437	-0597	-1077	2 X 37	-0357	-0517	-0677	-1157
	2 X 38	-0278	-0438	-0598	-1078	2 X 38	-0358	-0518	-0678	-1158
	2 X 39	-0279	-0439	-0599	-1079	2 X 39	-0359	-0519	-0679	-1159
	2 X 40	90131-0280	90131-0440	90131-0600	90131-1080	2 X 40	90131-0360	90131-0520	90131-0680	90131-1160

DIM C (±0.20) ±.008 (5.75) .226

DIM D (±0.25) ±.010 (4.50) .177

DIM C (±0.20) ±.008 (6.75) .266

DIM D (±0.25) ±.010 (4.50) .177

**NON-STANDARD PRODUCTS
NOT FOR GENERAL RELEASE**

CHANGE DOC. NO	2011/12/21
EC. NO. S2012-0490	2011/12/28
DRAWN/ATSEE	CHKD:SKANG
APPR:MLONG	2012/02/24
REV	DESCRIPTION

QUALITY SYMBOLS	GENERAL TOLERANCES (UNLESS SPECIFIED)
∇=0	4 PLACES ±--- ±---
∇=0	3 PLACES ±--- ±---
∇=0	2 PLACES ±0.20 ±---
∇=0	1 PLACE ±--- ±---
	ANGULAR ± 3°
	DRAFT WHERE APPLICABLE MUST REMAIN WITHIN DIMENSIONS

DIMENSION STYLE	SCALE	DESIGN UNITS	THIRD ANGLE PROJECTION
MM ONLY	NTS	METRIC	
DRAWN BY	DATE	TITLE	
DB	1987/07/16	C GRID III DUAL ROW STRAIGHT PIN HEADER	
CHECKED BY	DATE		
DB	1987/07/16		
APPROVED BY	DATE		
MLONG	2012/02/24		
MATERIAL NO.	DOCUMENT NO.		
	SD-90131-001		
SIZE			
A3			

SHEET NO.	7 OF 8
THIS DRAWING CONTAINS INFORMATION THAT IS PROPRIETARY TO MOLEX INCORPORATED AND SHOULD NOT BE USED WITHOUT WRITTEN PERMISSION	

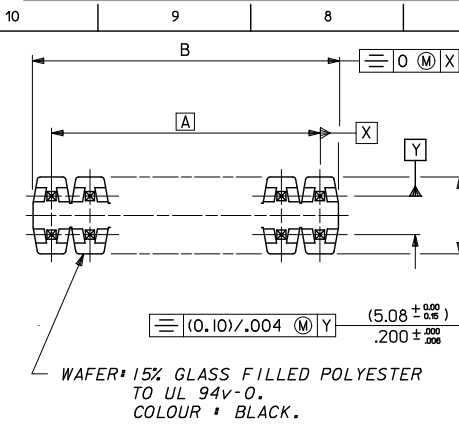
10 9 8 7 6 5 4 3 2 1

CIRCUIT SIZE	PLATING TYPE A PART NO.	PIN PART NUMBER	WAFER PART NUMBER	DIM C ^(+0.20) ±.008	DIM D ^(+0.38) ±.012
2 X 6	90131-3126	90129-2008	90131-0040	(14.60) .575	(2.38) .094
2 X 36	90131-3128	90129-2008	90131-0040	(14.60) .575	(2.38) .094
2 X 40	90131-3127	90129-2008	90131-0040	(14.60) .575	(2.38) .094

STANDARD PRODUCTS

CHANGE DOC. NO EC NO: S2012-0490 O DRWINATSEE 2011/12/21 CHYKDSKANG 2011/12/28 APPR:MLONG 2012/02/24	QUALITY SYMBOLS = 0 = 0 = 0	GENERAL TOLERANCES (UNLESS SPECIFIED)		DIMENSION STYLE MM ONLY		SCALE	DESIGN UNITS	THIRD ANGLE PROJECTION
		mm	INCH	DRAWN BY	DATE	NTS	METRIC	
		4 PLACES ± ---	± ---	DB	1987/07/16	TITLE		
		3 PLACES ± ---	± ---	CHECKED BY	DATE	C GRID III DUAL ROW STRAIGHT PIN HEADER		
		2 PLACES ± 0.20	± ---	DB	1987/07/16	MOLEX INCORPORATED		
		1 PLACE ± ---	± ---	APPROVED BY	DATE	MOLEX INCORPORATED		
		ANGULAR ± 3 °		MLONG	2012/02/24	MOLEX INCORPORATED		
		DRAFT WHERE APPLICABLE MUST REMAIN WITHIN DIMENSIONS		MATERIAL NO. SEE TABLE		DOCUMENT NO.	SD-90131-001	SHEET NO. 8 OF 8
				SIZE A 3	THIS DRAWING CONTAINS INFORMATION THAT IS PROPRIETARY TO MOLEX INCORPORATED AND SHOULD NOT BE USED WITHOUT WRITTEN PERMISSION			

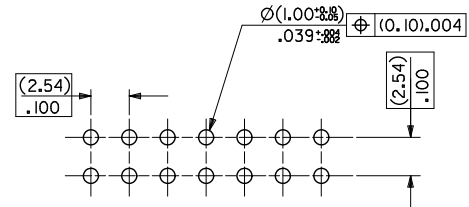
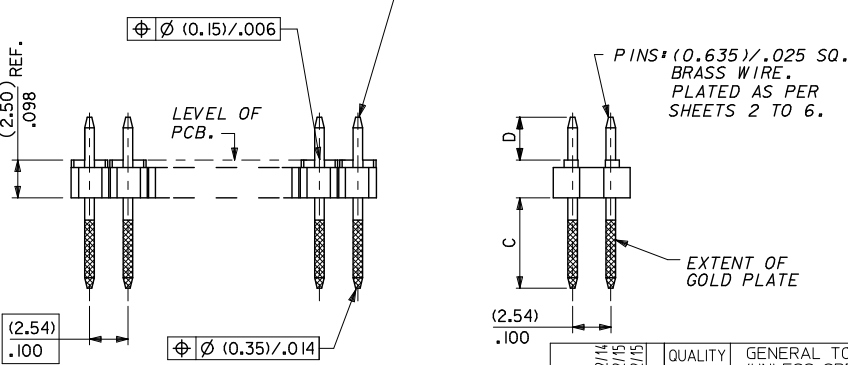
9 8 7 6 5 4 3 2 1



CKT SIZE	DIM. "A"		DIM. "B" (± 0.20) (± 0.08)		CKT SIZE	DIM. "A"		DIM. "B" (± 0.20) (± 0.08)	
2X 1			(2.54)	.100	2X21	(50.80)	2.000	(53.34)	2.100
2X 2	(2.54)	.100	(5.08)	.200	2X22	(53.34)	2.100	(55.88)	2.200
2X 3	(5.08)	.200	(7.62)	.300	2X23	(55.88)	2.200	(58.42)	2.300
2X 4	(7.62)	.300	(10.16)	.400	2X24	(58.42)	2.300	(60.96)	2.400
2X 5	(10.16)	.400	(12.70)	.500	2X25	(60.96)	2.400	(63.50)	2.500
2X 6	(12.70)	.500	(15.24)	.600	2X26	(63.50)	2.500	(66.04)	2.600
2X 7	(15.24)	.600	(17.78)	.700	2X27	(66.04)	2.600	(68.58)	2.700
2X 8	(17.78)	.700	(20.32)	.800	2X28	(68.58)	2.700	(71.12)	2.800
2X 9	(20.32)	.800	(22.86)	.900	2X29	(71.12)	2.800	(73.66)	2.900
2X10	(22.86)	.900	(25.40)	1.000	2X30	(73.66)	2.900	(76.20)	3.000
2X11	(25.40)	1.000	(27.94)	1.100	2X31	(76.20)	3.000	(78.74)	3.100
2X12	(27.94)	1.100	(30.48)	1.200	2X32	(78.74)	3.100	(81.28)	3.200
2X13	(30.48)	1.200	(33.02)	1.300	2X33	(81.28)	3.200	(83.82)	3.300
2X14	(33.02)	1.300	(35.56)	1.400	2X34	(83.82)	3.300	(86.36)	3.400
2X15	(35.56)	1.400	(38.10)	1.500	2X35	(86.36)	3.400	(88.90)	3.500
2X16	(38.10)	1.500	(40.64)	1.600	2X36	(88.90)	3.500	(91.44)	3.600
2X17	(40.64)	1.600	(43.18)	1.700	2X37	(91.44)	3.600	(93.98)	3.700
2X18	(43.18)	1.700	(45.72)	1.800	2X38	(93.98)	3.700	(96.52)	3.800
2X19	(45.72)	1.800	(48.26)	1.900	2X39	(96.52)	3.800	(99.06)	3.900
2X20	(48.26)	1.900	(50.80)	2.000	2X40	(99.06)	3.900	(101.60)	4.000

NOTES

1. FOR ASSY NUMBERS WITH FINISH OPTIONS AND DIM'S C & D SEE SHEETS 2 TO 7.



RECOMMENDED P.C. BOARD HOLE PATTERN

- NOTES
2. RECOMMENDED PCB THICKNESS 1.6MM
3. PRODUCT SPECIFICATION: PS-99020-0001

ADDED NOTES
EC NO: E2008-0337
DRW: LK FERMAN
CHKD: 2008/02/15
APPR: BMAGUIRE
2008/02/15

QUALITY SYMBOLS
▽ =
▽ =

GENERAL TOLERANCES (UNLESS SPECIFIED)		
	mm	
	INCH	
4 PLACES	± ---	± ---
3 PLACES	± ---	± ---
2 PLACES	± ---	± ---
1 PLACE	± ---	± ---
ANGULAR ± ---°		
DRAFT WHERE APPLICABLE MUST REMAIN WITHIN DIMENSIONS		

DIMENSION STYLE	
MM ONLY	
DRAWN BY	DATE
DB	16/7/87
CHECKED BY	DATE
APPROVED BY	DATE
MATERIAL NO.	
SEE CHART	
SIZE	
A	

SCALE	DESIGN UNITS	THIRD ANGLE PROJECTION
4:1	METRIC	☉ □
TITLE		
C GRID III DUAL ROW STRAIGHT PIN HEADER		
MOLEX INCORPORATED		SHEET NO.
DOCUMENT NO. SDA-90131		1 OF 7

	10	9	8	7	6	5	4	3	2	1
PART NO. SEE CHART DWG. NO. SDA-90131 DIM C (+0.20 / ±.008) (6.75) .266 DIM D (+0.30 / ±.008) (2.90) .114	CIRCUIT SIZE	PLATING TYPE B PART NO.	PLATING TYPE C PART NO.	PLATING TYPE D PART NO.	PLATING TYPE G PART NO.	CIRCUIT SIZE	PLATING TYPE B PART NO.	PLATING TYPE C PART NO.	PLATING TYPE D PART NO.	PLATING TYPE G PART NO.
	2 X 1	90131-0281	90131-0441	90131-0601	90131-1081	2 X 1	90131-0201	90131-0361	90131-0521	90131-1001
	2 X 2	-0282	-0442	-0602	-1082	2 X 2	-0202	-0362	-0522	-1002
	2 X 3	-0283	-0443	-0603	-1083	2 X 3	-0203	-0363	-0523	-1003
	2 X 4	-0284	-0444	-0604	-1084	2 X 4	-0204	-0364	-0524	-1004
	2 X 5	-0285	-0445	-0605	-1085	2 X 5	-0205	-0365	-0525	-1005
	2 X 6	-0286	-0446	-0606	-1086	2 X 6	-0206	-0366	-0526	-1006
	2 X 7	-0287	-0447	-0607	-1087	2 X 7	-0207	-0367	-0527	-1007
	2 X 8	-0288	-0448	-0608	-1088	2 X 8	-0208	-0368	-0528	-1008
	2 X 9	-0289	-0449	-0609	-1089	2 X 9	-0209	-0369	-0529	-1009
	2 X 10	-0290	-0450	-0610	-1090	2 X 10	-0210	-0370	-0530	-1010
	2 X 11	-0291	-0451	-0611	-1091	2 X 11	-0211	-0371	-0531	-1011
	2 X 12	-0292	-0452	-0612	-1092	2 X 12	-0212	-0372	-0532	-1012
	2 X 13	-0293	-0453	-0613	-1093	2 X 13	-0213	-0373	-0533	-1013
	2 X 14	-0294	-0454	-0614	-1094	2 X 14	-0214	-0374	-0534	-1014
	2 X 15	-0295	-0455	-0615	-1095	2 X 15	-0215	-0375	-0535	-1015
	2 X 16	-0296	-0456	-0616	-1096	2 X 16	-0216	-0376	-0536	-1016
	2 X 17	-0297	-0457	-0617	-1097	2 X 17	-0217	-0377	-0537	-1017
	2 X 18	-0298	-0458	-0618	-1098	2 X 18	-0218	-0378	-0538	-1018
	2 X 19	-0299	-0459	-0619	-1099	2 X 19	-0219	-0379	-0539	-1019
	2 X 20	-0300	-0460	-0620	-1100	2 X 20	-0220	-0380	-0540	-1020
	2 X 21	-0301	-0461	-0621	-1101	2 X 21	-0221	-0381	-0541	-1021
	2 X 22	-0302	-0462	-0622	-1102	2 X 22	-0222	-0382	-0542	-1022
	2 X 23	-0303	-0463	-0623	-1103	2 X 23	-0223	-0383	-0543	-1023
	2 X 24	-0304	-0464	-0624	-1104	2 X 24	-0224	-0384	-0544	-1024
	2 X 25	-0305	-0465	-0625	-1105	2 X 25	-0225	-0385	-0545	-1025
	2 X 26	-0306	-0466	-0626	-1106	2 X 26	-0226	-0386	-0546	-1026
	2 X 27	-0307	-0467	-0627	-1107	2 X 27	-0227	-0387	-0547	-1027
	2 X 28	-0308	-0468	-0628	-1108	2 X 28	-0228	-0388	-0548	-1028
	2 X 29	-0309	-0469	-0629	-1109	2 X 29	-0229	-0389	-0549	-1029
	2 X 30	-0310	-0470	-0630	-1110	2 X 30	-0230	-0390	-0550	-1030
	2 X 31	-0311	-0471	-0631	-1111	2 X 31	-0231	-0391	-0551	-1031
	2 X 32	-0312	-0472	-0632	-1112	2 X 32	-0232	-0392	-0552	-1032
	2 X 33	-0313	-0473	-0633	-1113	2 X 33	-0233	-0393	-0553	-1033
	2 X 34	-0314	-0474	-0634	-1114	2 X 34	-0234	-0394	-0554	-1034
	2 X 35	-0315	-0475	-0635	-1115	2 X 35	-0235	-0395	-0555	-1035
	2 X 36	-0316	-0476	-0636	-1116	2 X 36	-0236	-0396	-0556	-1036
	2 X 37	-0317	-0477	-0637	-1117	2 X 37	-0237	-0397	-0557	-1037
	2 X 38	-0318	-0478	-0638	-1118	2 X 38	-0238	-0398	-0558	-1038
	2 X 39	-0319	-0479	-0639	-1119	2 X 39	-0239	-0399	-0559	-1039
2 X 40	90131-0320	90131-0480	90131-0640	90131-1120	2 X 40	90131-0240	90131-0400	90131-0560	90131-1040	

NO RELEASE REFERENCE USE ONLY

NOTES:
FOR PLATING VARIATIONS SEE
ENG.STD. SDES-99000-0003.

**NON-STANDARD PRODUCTS
NOT FOR GENERAL RELEASE**

FOR PREVIOUS
DRAWING ISSUES
SEE MRI.

THIRD ANGLE PROJECTION		REVISE ONLY ON CAD SYSTEM		SH.	REV.
DIMENSIONS SHOWN (METRIC) INCH UNLESS OTHERWISE SPECIFIED TOLERANCES: ANGULAR ±2°		CAD/CAM FILENAME SAB0131X DGN		THIS DRAWING CONTAINS INFORMATION THAT IS PROPRIETARY TO MOLEX INC. & SHOULD NOT BE USED WITHOUT WRITTEN PERMISSION	
INCH (METRIC)		TITLE		DATE	
3 PLACE ± .000 ± .000		C-GRID III DUAL ROW STRAIGHT PIN HEADER		16/ 7/87	
2 PLACE ± .000 ± .000				SHEET NO. 50F	
1 PLACE ± .000 ± .000		MOLEX MOLEX EUROPE		DATE	
DRAFT WHERE APPLICABLE MUST REMAIN WITHIN DIMENSIONS		PART NO. SEE CHART		DWG. NO. SDA-90131	
DESIGN DIMENSION (MM)		SCALE		SIZE	
(PRIMARY) □ IN.				B	
EQUIVALENT DIMENSION (SECONDARY) □ IN.					