

Excellent Integrated System Limited

Stocking Distributor

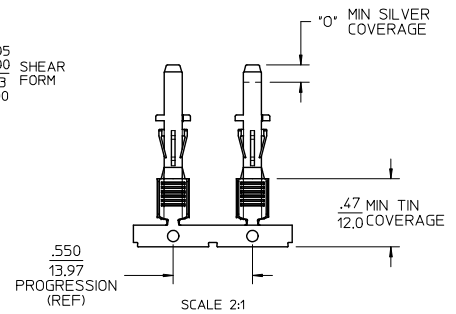
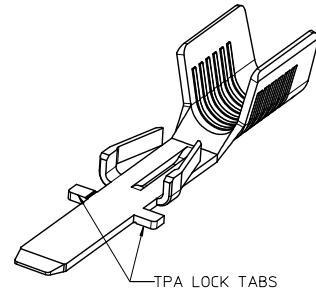
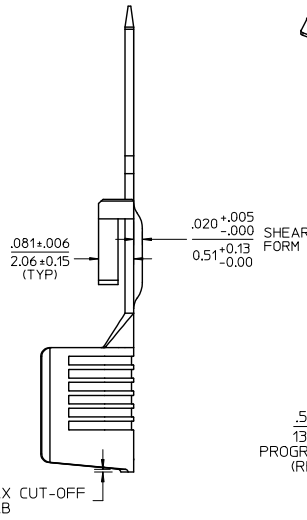
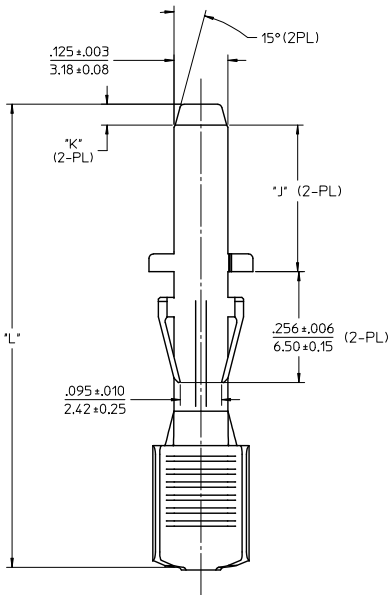
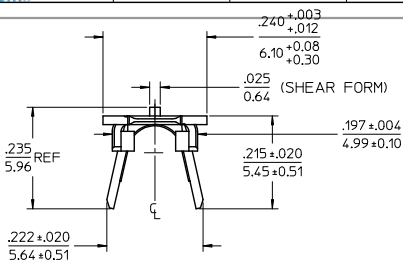
Click to view price, real time Inventory, Delivery & Lifecycle Information:

[Molex Connector Corporation](#)
[1718260100](#)

For any questions, you can email us directly:

sales@integrated-circuit.com

STYLE	P/N	J	K	L	O
STANDARD	171826-0100	.339/8.61	.048/1.22	1.261/32.02	.12/3.0
FINGER-PROOF	171826-0200	.301/7.65	.031/0.79	1.206/30.63	.07/1.7



- NOTES:
1. MATERIAL: .020/0.51 THICK HSM COPPER.
 2. FINISH: SELECT SILVER (.000100/0.00254 MIN) & SELECT MATTE TIN (.000100/0.00254 MIN) OVER NICKEL OVERALL.
 3. PRODUCT SPECIFICATION: PS-171825-001.
 4. PACKAGING: PK-171826-001 (PENDING).
 5. MATES WITH: 171825 FEMALE CRIMP TMLS. FOR USE IN 172673/43680 PLUG HSGS.
 6. SINGLE CRIMP TO 10 OR 12AWG STRANDED COPPER WIRE. TINNED WIRE RECOMMENDED.
 7. TERMINALS INDICATED AS *FINGER-PROOF* ARE DESIGNED TO MINIMIZE ACCESSIBILITY TO LIVE PARTS PER UL1977 AND UL60950 (FORMERLY UL1950) FINGER PROBE REQUIREMENTS.

ADD -0200 EC NO: UCP-2015-2458 DRAWN: JDFX CHK: HANSON APPROV: SMITH REV B	QUALITY SYMBOLS ▽=0 ▽=0 ▽=0	GENERAL TOLERANCES (UNLESS SPECIFIED)	DIMENSION STYLE		SCALE	DESIGN UNITS	THIRD ANGLE PROJECTION
			mm	INCH	6:1	INCH	
DRAWN BY: GES DATE: 2013/04/02			CHECKED BY: BANDERSON DATE: 2013/04/02		TITLE: SUPER-SABRE MALE CRIMP TERMINAL		
APPROVED BY: F SMITH DATE: 2013/10/09			MATERIAL NO.		DOCUMENT NO.		SHEET NO.
ANGULAR ±1/2°			SEE CHART		SD-171826-001		1 OF 1
DRAFT WHERE APPLICABLE MUST REMAIN WITHIN DIMENSIONS			THIS DRAWING CONTAINS INFORMATION THAT IS PROPRIETARY TO MOLEX INCORPORATED AND SHOULD NOT BE USED WITHOUT WRITTEN PERMISSION				