

Excellent Integrated System Limited

Stocking Distributor

Click to view price, real time Inventory, Delivery & Lifecycle Information:

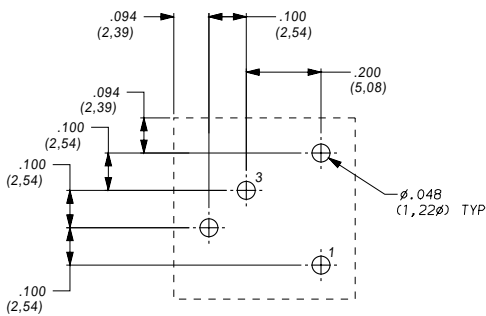
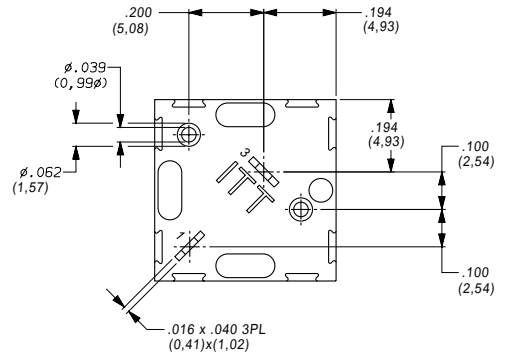
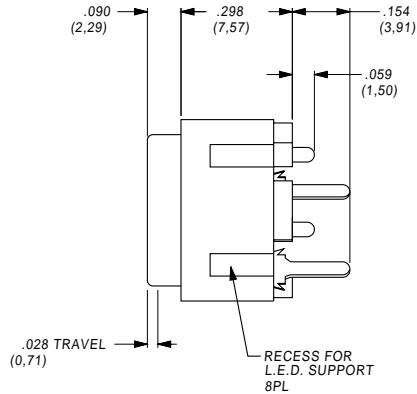
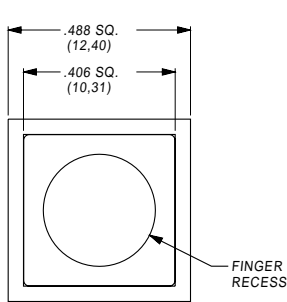
[C&K Components](#)

[KS11R27CQD](#)

For any questions, you can email us directly:

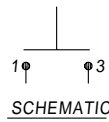
sales@integrated-circuit.com

REVISIONS				APPROVAL
ECN	SYM	DESCRIPTION	DATE	
	1	RELEASE TO PRODUCTION	6/2/04 KON	A



**RECOMMENDED
P.C. LAYOUT**

POS.1	POS.2
OFF	MOM
TERMINALS CONNECTED	
OPEN	1,3



CAD FILE NO.: ks11r27cqd-ol_a

CAP COLOR	
1	WHITE
2	BLACK(STD)
3	RED
7	BLUE

ALL DIMS. AND TOLS. PER ANSI Y14.5	UNLESS OTHERWISE SPECIFIED DIMENSIONS ARE IN INCHES	
THIS DOCUMENT AND THE INFORMATION IN IT IS THE EXCLUSIVE PROPERTY OF C&K COMPONENTS, INC. AND IS NOT TO BE USED OR DISCLOSED WITHOUT THE EXPRESS WRITTEN PERMISSION OF C&K COMPONENTS, INC.	TOLERANCES	
	DECIMAL	ANGULAR
	.XX±	± 5°
	.XXX±	.015
<input checked="" type="checkbox"/> CRITICAL - MUST COMPLY WITH C&K QUALIFICATION STD. C&KQ0019	SCALE 4:1	DATE 9/11/03
<input type="checkbox"/> MAJOR DIMENSION	DRAWN K. ONEIL	APPROVED

C&K P/N: KS11R27CQD



REV. A

SHT. NO. OF A