

Excellent Integrated System Limited

Stocking Distributor

Click to view price, real time Inventory, Delivery & Lifecycle Information:

[C&K Components](#)

[KT11P3SA1M31](#)

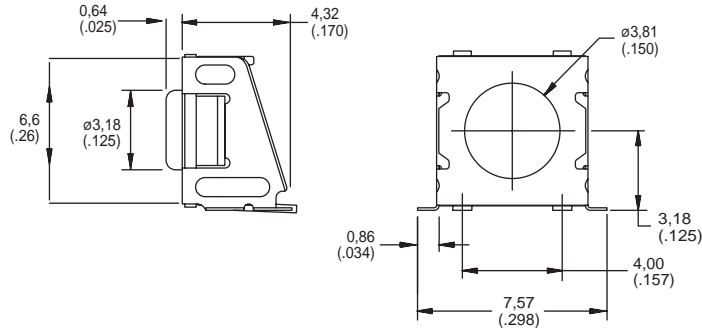
For any questions, you can email us directly:

sales@integrated-circuit.com

KT Series Right Angle Sealed Tact Switch for SMT

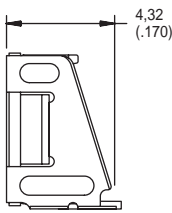
SERIES

KT11

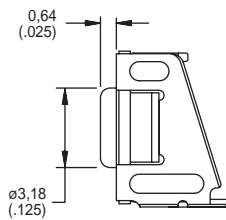


ACTUATOR

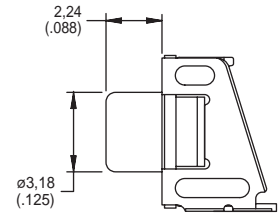
B0 SOFT, FLUSH



B1 SOFT, 0,64 mm

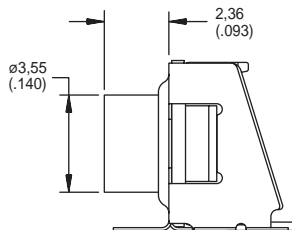


B2 SOFT, 2,24 mm

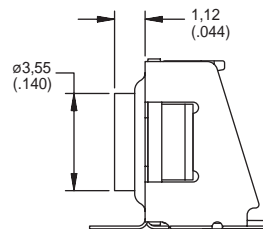


B0, B1 & B2 available with A & A1 mounting bracket only.

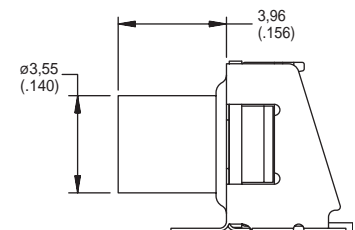
P2 HARD, 2,36 mm



P3 HARD, 1,50 mm

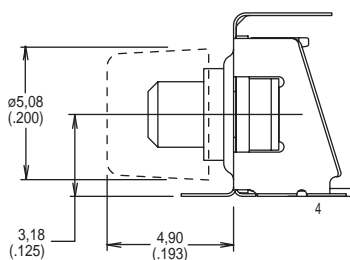


P4 HARD, 3,96 mm

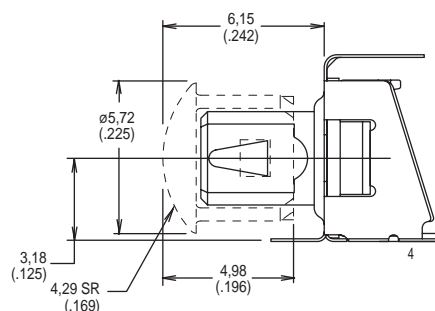


P4 recommended with A1 & A2 mounting bracket only.

S1 Ø0,1 mm FOR PRESS FIT CAPS



S2 Ø0,14 mm FOR SNAP FIT CAPS



S1 & S2 preferred with A1 & A2 mounting bracket only.



Dimensions are shown: mm (inch)
Dimensions subject to change

KT Series Right Angle Sealed Tact Switch

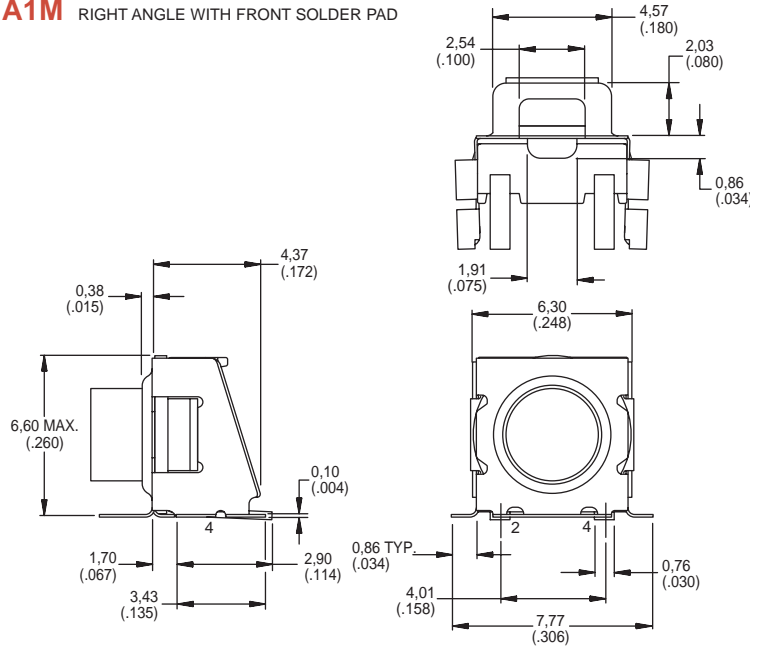
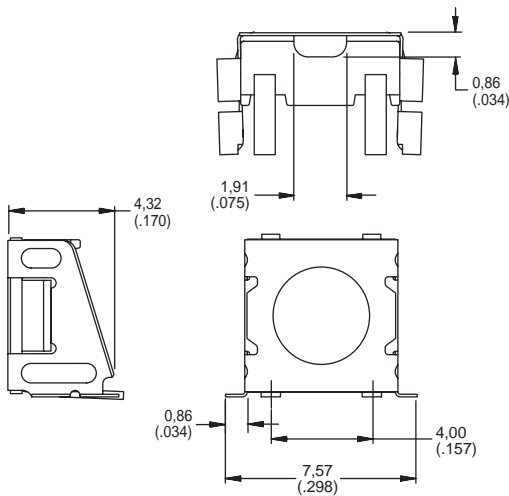
ORIENTATION

S SIDE ACTUATED

MOUNTING BRACKET

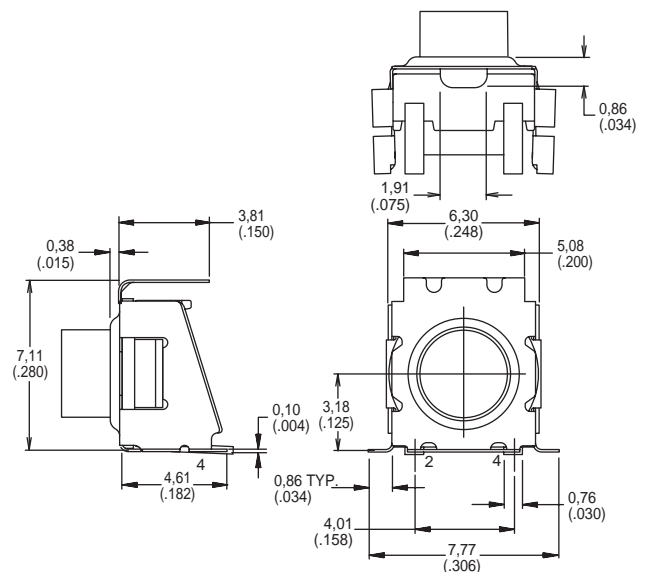
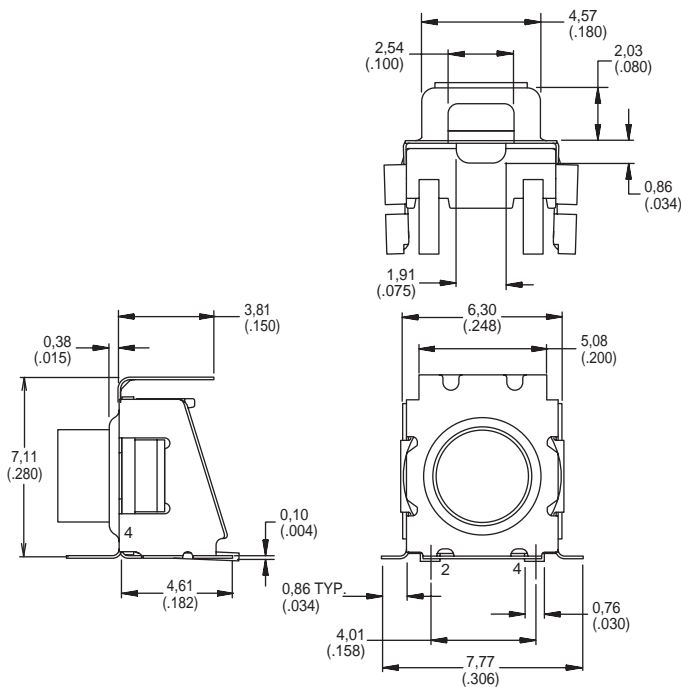
AM RIGHT ANGLE

A1M RIGHT ANGLE WITH FRONT SOLDER PAD



A2M RIGHT ANGLE WITH FRONT SOLDER PAD AND PICK & PLACE TAB

A3M RIGHT ANGLE WITH PICK & PLACE TAB



Tactile Switches

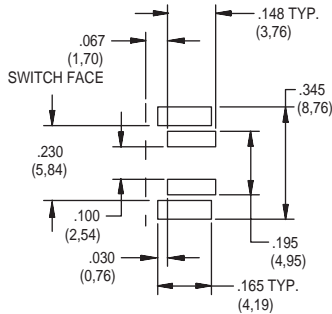


Dimensions are shown: mm (inch)
Dimensions subject to change

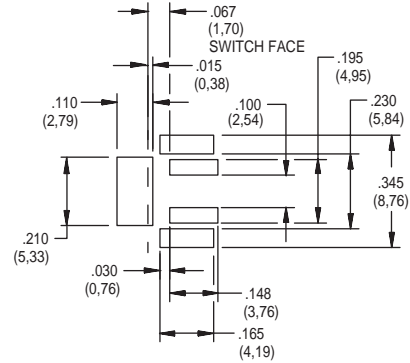
KT Series Right Angle Sealed Tact Switch

MOUNTING BRACKET

PAD LAYOUT
AM & A3M Mounting Bracket



PAD LAYOUT
A1M & A2M Mounting Bracket



ACTUATING FORCE

OPTION CODE	FORCE
3	3 N (300 grams)

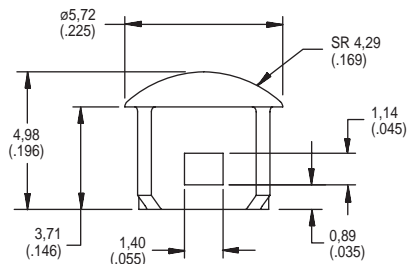
CONTACT PLATING

OPTION CODE	MATERIAL
1	SILVER
3	GOLD

BUTTON

(NONE) NO BUTTON

0380 SNAP FIT, HIGH TEMPERATURE, ivory, Ø8 mm



BUTTON

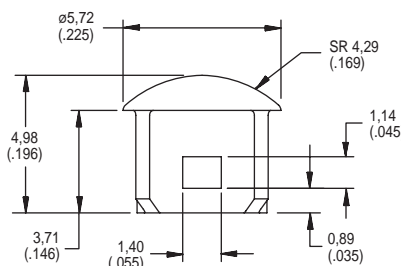
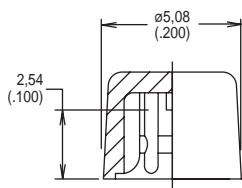
To order buttons in bulk



Button Type

02 PRESS FIT, ø4 mm

03 SNAP FIT, HIGH TEMPERATURE, Ø8 mm



Button Color

OPTION CODE	BUTTON COLOR
90	BLACK
80	IVORY

