

Excellent Integrated System Limited

Stocking Distributor

Click to view price, real time Inventory, Delivery & Lifecycle Information:

[Cinch Connectivity Solutions](#)
[010-0109](#)

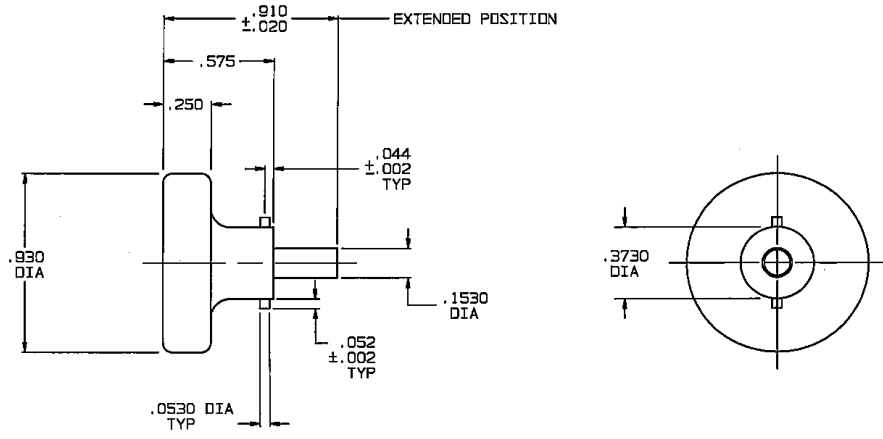
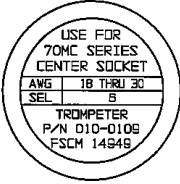
For any questions, you can email us directly:

sales@integrated-circuit.com

RED INDICATES ORIGINAL

DATA CONTAINED IN THIS DOCUMENT IS PROPRIETARY TO TROMPETER ELECTRONICS, INC. AND SHALL NOT BE DISCLOSED, COPIED OR USED FOR PRODUCTION OR MANUFACTURE WITHOUT EXPRESS WRITTEN PERMISSION.

REV		ED	DESCRIPTION	DWN	APPROVED	DATE
A			PRODUCTION RELEASE	AAH		



- 2. FINISH: BODY; TFS-1A (NICKEL)
 LOCK PINS AND LOCATOR; PASSIVATE
- 1. ALL DIMENSIONS ARE IN INCHES

QTY	DESCRIPTION		PART NUMBER	ITEM
TOL UNLESS SPECIFIED .XX ± .XXX ±.010 .XXXX ±.0020 ANGLES ±	TROMPETER ELECTRONICS, INC.		POSITIONER, SOCKETS, 70MC SERIES (M22520/2-01)	
DWN	AAH	1-11-96	MATERIAL	CODE IDENT
CHK	Bm	1-16-96		14949
ENGR				010-0109
NEXT ASSY	APPR	1/17/96	SCALE 2/1	DATE 1/18/96
				SHEET 1 OF 3