

Excellent Integrated System Limited

Stocking Distributor

Click to view price, real time Inventory, Delivery & Lifecycle Information:

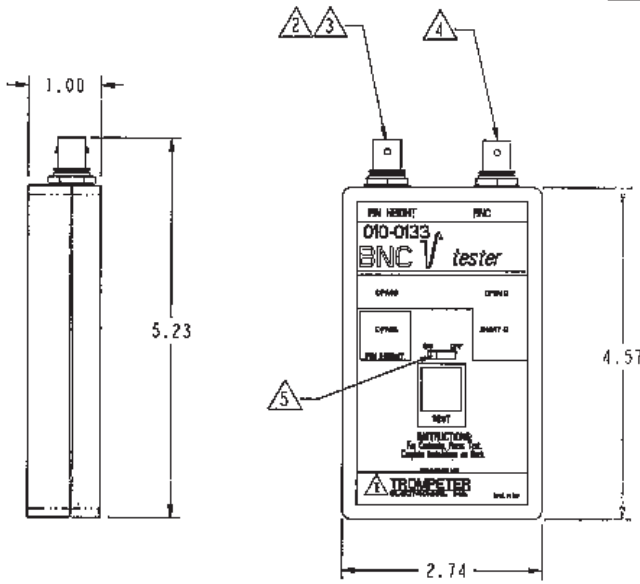
[Cinch Connectivity Solutions](#)
[010-0133](#)

For any questions, you can email us directly:

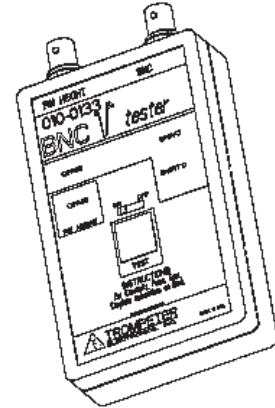
sales@integrated-circuit.com

DATA CONTAINED IN THIS DOCUMENT IS PROPRIETARY TO TROMPETER ELECTRONICS INC. AND SHALL NOT BE DISCLOSED, COPIED OR USED FOR REPRODUCTION OR MANUFACTURE WITHOUT EXPRESS WRITTEN PERMISSION.

REVISIONS			
REV	DESCRIPTIONS	DATE	APPROVED
F	REVISED PER ECO 15600	8-19-04	607



RED INDICATES ORIGINAL



- 5 TO PRESERVE BATTERY, SWITCH TO OFF POSITION WHEN NOT IN USE
- 4 USE 105-1885 ADAPTER FOR TESTING MINI-WECO CONNECTOR
- 3 USE 010-0133-101 GO/NO-GO GAGE TO ASSURE PROPER CALIBRATION OF PIN HEIGHT TESTER
- 2 PIN HEIGHT TO INDICATE "PASS" WHEN CONTACT IS .034 (MIN) SET BACK BEHIND SPRING FINGER; "FAIL" WHEN CONTACT IS .039 (MAX) SET BACK BEHIND SPRING FINGER

1. TESTER FOR PROPER ASSEMBLY OF BNC COAXIAL PLUGS, WITH CAPABILITY OF DETECTING CENTER CONTACT PIN HEIGHT, CONTINUITY, AND SHORT OR OPEN CIRCUIT

NOTES: UNLESS OTHERWISE SPECIFIED.

UNLESS OTHERWISE SPECIFIED: DIMENSIONS ARE IN INCHES FINISH: .XX ± .06 UNLESS OTHERWISE SPECIFIED.			
TRK 8-5-04 APP 8-6-04 CPS 8-19-04 BPD 8-18-04 APPROVED BY 8/16/04	MATERIAL: FINISH:	TITLE: BNC TESTER (ELECTRICAL)	
NEXT ASSY 010-0133	DO NOT SCALE DWG	SIZE: A CAGE CODE: 14949 SCALE: 1/1	DRAWING NO.: 010-0133 DATE: 12-17-97 SHEET: 1 OF 3