

Excellent Integrated System Limited

Stocking Distributor

Click to view price, real time Inventory, Delivery & Lifecycle Information:

[Cinch Connectivity Solutions](#)

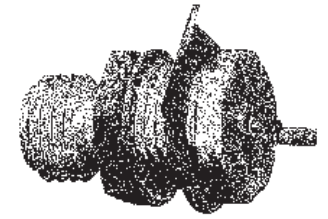
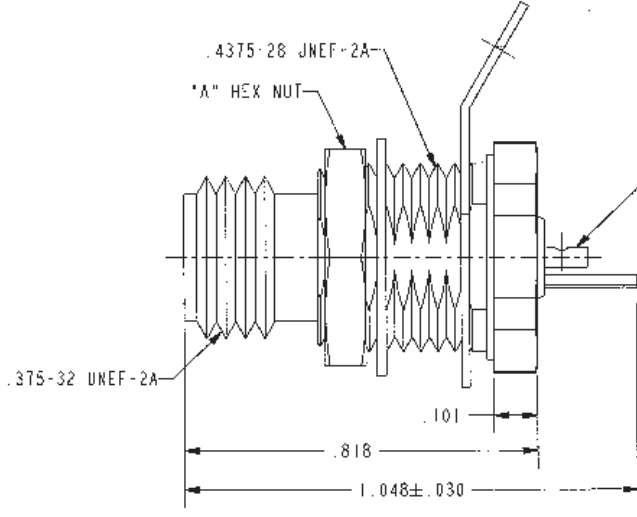
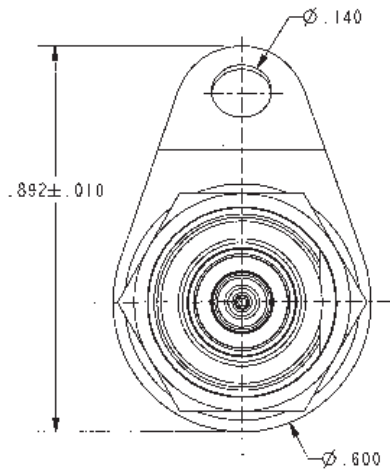
[BJ3150](#)

For any questions, you can email us directly:

sales@integrated-circuit.com

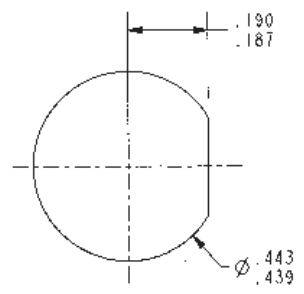
MODEL NO	"A" HEX NUT
BJ3150	.500
BJ3150S	.562

REVISIONS		DATE	APPROVED
REV	DESCRIPTIONS		
H	REVISED PER ECO # 16693		



SCALE 2/1

SOLDER POT ACCEPTS Ø .034 CONDUCTOR



RECOMMENDED PANEL CUTOUT SCALE 3/1

RED INDICATES ORIGINAL

4. IF SAFETY WIRE TYPE REQUIRED, ADD SUFFIX "S" TO MODEL NUMBER
3. MAXIMUM PANEL THICKNESS .250
2. FINISH: TFS-1A (NICKEL)
1. SUBMINIATURE TW MAX/TRIAX THREADED REAR MOUNT SOLDER POT BULKHEAD RECEPTACLE

NOTES: UNLESS OTHERWISE SPECIFIED.

INTERPRET DRAWINGS PER MIL-STD-100. DIMENSIONS ARE IN INCHES UNLESS OTHERWISE SPECIFIED.		TOL: UNLESS SPECIFIED .XX ± .02 .XXX ± .010 ANGLE ± 1°			
DESIGNED BY: J. CARPENTER DATE: 9-16-09	MATERIAL: 03-08-DB	TITLE: BJ3150/BJ3150S			
FINISH:	SIZE: A CAGE CODE: 14949	DRAWING NO.: 3-0084	REV.: H		
NEXT ASSY:	DO NOT SCALE DWG	SCALE: 3/1	DATE: 9-8-82	SHEET: 1C	